

RedGum ELECTRIC

Owner's Manual RedGum Electric Logsplitter



RedGum || LOGSPLITTERS

Australia's No.1 Selling Honda-Powered Log Splitters

Product Description & Intended Purpose:

This Log Splitter / Wood Splitter is an outdoor product that splits wood logs for use as fuel in a fireplace or a woodstove.



WARNING: All operators must read this manual, before operating this RedGum Splitter.

WARNING

Read and thoroughly understand all instructions contained in this operation manual before operating this RedGum Splitter.

Serious injury or death can result if safety instructions are not understood or followed. If you wish to discuss this log splitter's operational procedures after reading this manual, please call our customer service personnel on 1300 039 251. Monday - Friday 9am - 5pm AEDT

HAZARD SIGNAL DEFINITIONS



This is the **safety alert symbol**. It is used to alert you to potential personal injury hazards. Obey all safety messages that follow this symbol to avoid possible injury or death.

DANGER

DANGER indicates an imminently hazardous situation which, if not avoided, will result in serious injury or death.

WARNING

WARNING indicates a potentially hazardous situation which, if not avoided, will result in serious injury or death.

CAUTION

CAUTION indicates a potentially hazardous situation which, if not avoided, could result in minor or moderate injury.

Table of Contents

Important Safety Rules.....	4-6
Check Prior to Operation.....	7
Operation Instructions.....	8-9
Towing the Log Splitter.....	10
Log Splitter Components.....	11
Log Splitter & Motor Specifications.....	12
Log Splitter Troubleshooting.....	13
Maintenance, Storage & Essential Checks.....	14
Warranty & Service Information.....	15-17
Notes.....	18-19
Accessories.....	20



Important Safety Rules



WARNING



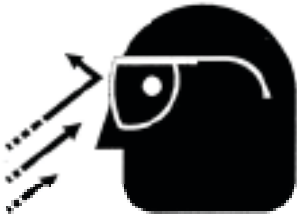
1.) Read this manual completely.

- Serious injury or death can result if safety instructions are not followed.
- Everyone who operates this log splitter must read and completely understand all safety rules, operating instructions, and maintenance instructions.
- You must be 18 or older to operate this machine and in sound mind, free of the influence of medication, drugs or alcohol. Keep untrained people away.



2.) Crush hazard.

The Crush Hazard Zone is between The Splitting Wedge and the End Plate. The Splitting Wedge can cut through skin and break bones. Make sure hands are clear of crush hazard zone when Log Splitter is in operation.



3.) Flying objects.

- Pieces of wood may fly out while splitting. Wear safety glasses. Serious eye injury can occur if safety glasses are not worn.
- Serious accidents can happen when other people are allowed inside the safety and operator zone. Keep everyone else out of the safety and operator zone while operating log splitter. See page 7 for operator zone.



4.) Skin injection hazard.

- High pressure fluid can inject under skin resulting in serious injury including amputation.
- If skin injection happens, seek immediate "Surgical Treatment". Call 000
- Make sure all fittings are tight before starting the Log Splitter. Relieve system pressure before servicing by turning off the Log Splitter and moving Control Valve Lever forward and back and returning to neutral position.
- Do not check for leaks with hand. Instead, use a cloth or place a piece of card-board under the unit to check for leaks.

Safety Rules Continued...



Important Safety Rules



WARNING



5.) Breathing hazard.

Do not operate the logsplitter indoors, even if ventilated. This product is intended for outdoor use only and may lead to serious injuries or even death.

WARNING

Read & thoroughly understand the following Operational Warnings before using this RedGum Log Splitter.

OPERATIONAL WARNINGS

- **Intended purpose:** This product is designed as an outdoor product to split wood logs to use as fuel in a fireplace or a woodstove. Never use the log splitter for any other purpose than splitting wood.
- **Always place logs so the axehead/Splitting wedge (4) splits with the wood grain and not across the wood grain.**
- **ALWAYS inspect log splitter before using to ensure it is in good working condition.**
- **Replace or repair damaged or worn parts immediately.**
- **ALWAYS check and tighten fasteners, hardware and assembled parts before operation.**
- **ALWAYS operate log splitter on firm, clear and level ground**
- **ALWAYS set up a SAFETY ZONE restricting onlookers to at least 3m away from the log splitter when in use.**
- **ALWAYS remove split wood from around the log splitter immediately after it's split into smaller pieces so that you don't stumble over it.**
- **Do NOT exceed equipment maximum splitting capacity by altering component settings.**
- **Do NOT operate the log splitter at night, only during daylight hours.**
- **Turn the engine off before leaving the log splitter unattended.**

RedGum Splitters are assembled and ready for use however:

- **Check** Hydraulic oil levels with a Dip Stick.
- Closely **inspect** all log splitter components. If you sight damaged components then contact your RedGum dealer before use.
- **Always wear safety glasses** while operating this log splitter. It's also recommended to wear Ear Muffs, Steel capped boots, Tight fitting gloves and Suitable clothing - A free from hanging strings, jewellery or other items that could get caught up in moving parts. If you have long hair make sure it is tied back and kept out of the way of moving parts.

Keep this operations manual handy for future reference and re-read this Owner's Manual periodically

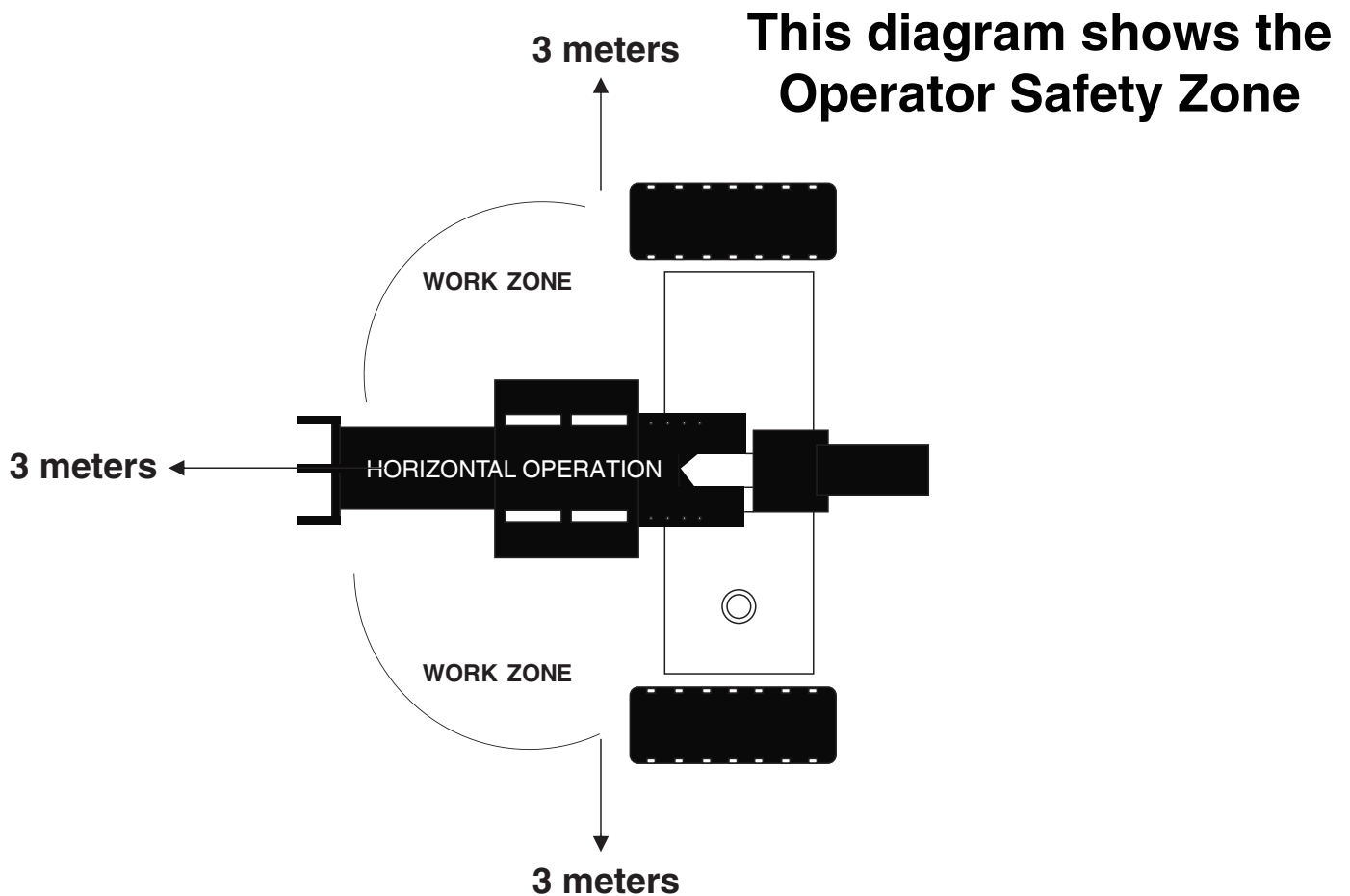
CHECK PRIOR TO OPERATION

Essential checks to be carried out before each use:

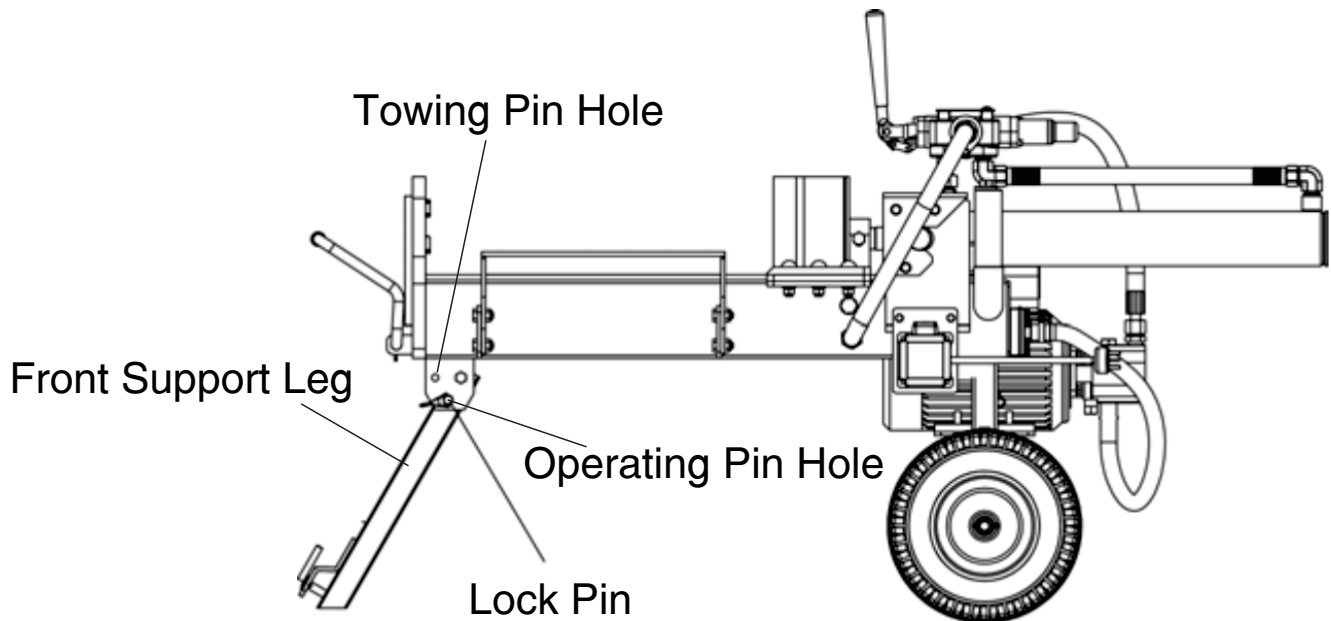
What	When	How
Hoses	Each Use	Inspect for exposed wire mesh & leaks. Replace all worn/damaged hoses before starting engine.
Hydraulic Fittings	Each Use	Inspect for cracks & leaks. Replace all damaged fittings before starting the engine.
Nuts & Bolts	Each Use	Check for loose bolts. Tighten before operating.
Beam	Each Use	Apply grease to beam surface (if required).
Moving Parts	Each Use	Clear debris

Serious accidents can happen when other people are allowed inside the **OPERATOR ZONE** (see following diagram). Keep everyone out of the operator zone while operating the log splitter.

ALWAYS set up a SAFETY ZONE restricting onlookers to at least 3 meters away from the log splitter when in use.



PREPARING THE LOG SPLITTER FOR USE



Remove the Lock Pin (14) from the Towing Pin Hole (16) and lower the Front Support Leg (10). While making sure that the Front Support Leg (10) is on the floor, connect the Lock Pin (14) to the Operating Pin Hole (15) and secure tightly.

HOW TO OPERATE THE LOG SPLITTER

Proper Operation of the Logsplitter:

Always follow Operational Warnings & Check-list before operating!

- 1.) Plug in the 240V Cord into a compatible power outlet.
- 2.) Press the "Green" On/Off button (17) on the side of the logsplitter to switch on the logsplitter.
- 3.) Place a log onto the beam against the End Plate (12).

WARNING The Log's end must sit correctly against the End Plate otherwise you could damage the End Plate. Damaging the End Plate by incorrectly placing a log is not covered under the warranty offered by the manufacturer. See next page for instructions on splitting logs with a slant or uneven surfaces.

- 4.) **Start the splitting procedure by pushing and holding the Control Valve Lever (2) forward. Please note** the Splitter Wedge (8) only moves forward when you are holding the lever forward. When you let go of the Control Valve Lever (2) the Splitter Wedge (8) stops immediately.

Operation Instructions continued...

⚠️ WARNING The **Crush Hazard Zone** is between the Splitter Wedge (8) and the End Plate (12) Make sure hands are clear of the Crush Hazard Zone.

5.) **To return wedge to starting position**, simply pull the Control Valve Lever (2) **backwards** and away from the End Plate (12). Please note the Splitter Wedge (8) returns back to the original starting position automatically. You should observe the Control Valve Lever (2) returns to the neutral position after the Splitter Wedge (8) has returned back to it's original starting position. **Please also note for safety reasons**, the Splitter Wedge (8) stops approx. 3-4cm from the End Plate (12).

⚠️ WARNING To avoid the build up of Hydraulic Pressure, please refrain from holding the Control Valve Lever (2) forward after the Splitter Wedge (8) has reached the end of it's travel.

6.) Clear the split wood from the Operator Zone.

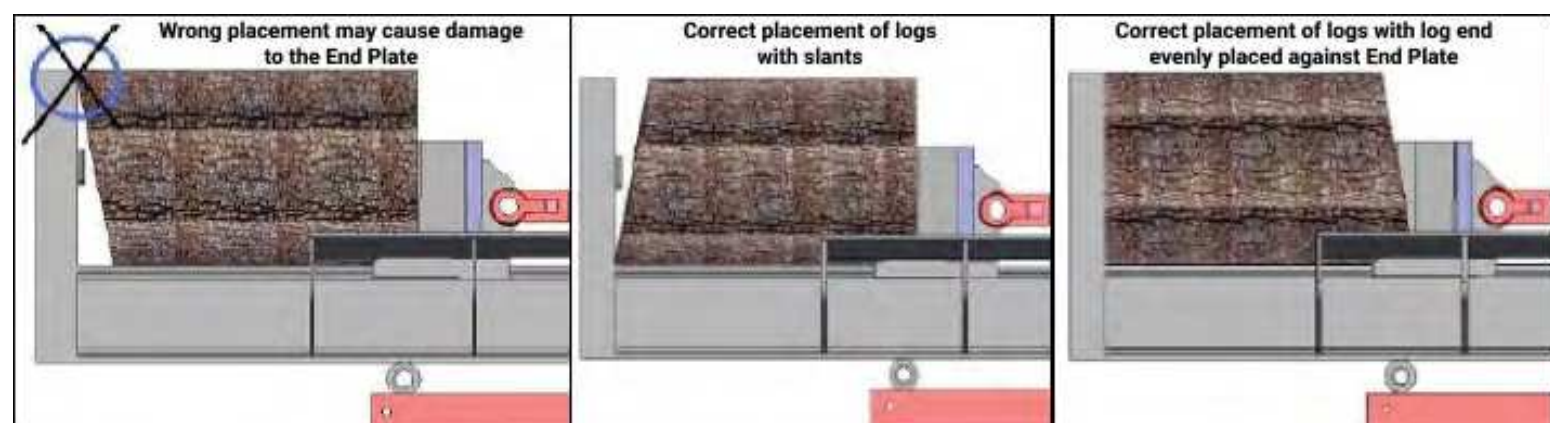
7.) Repeat these steps as and when required.

Note: If the unit is Overloaded or Overheated, press the RESET Switch on the Electric Motor (located near the Gear Pump (5)).

IMPORTANT OPERATION INSTRUCTION

Correct Placement of logs onto the Log Splitter is Required Prior to Splitting Logs in order to Prevent Damage to the End Plate, Splitting Wedge & Splitting Beam

Correct operating procedures should be followed to ensure that your logsplitter is not damaged. Incorrect operation can result in bending the Beam (1), Splitting Wedge (8) and/or End Plate (12). **Important:** If Beam, Wedge or End Plate are bent due to incorrect operation, it is not the manufacturer's fault and subsequently would not be covered under Warranty. Ideally, the log should be cut into "rounds" with flat or even surfaces. If they are cut and the edges are on an angle or have an uneven surface, you must ensure you place the log onto the Beam (1) as shown in the Second or Third diagrams, as shown below:



WARNING

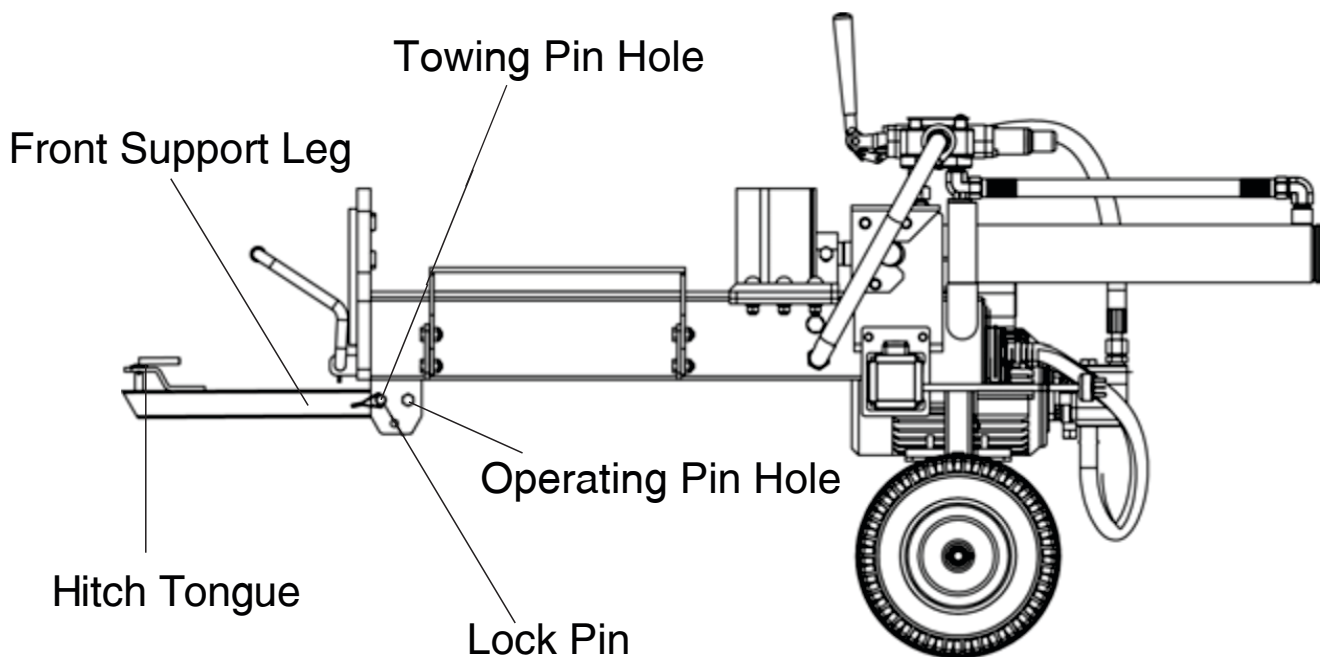
Towing incorrectly is a serious risk and can result in injury or death.

Please read the following Towing Warnings:

Remember to turn the engine and fuel tap to the off position prior to towing. This is to prevent flooding of the engine.

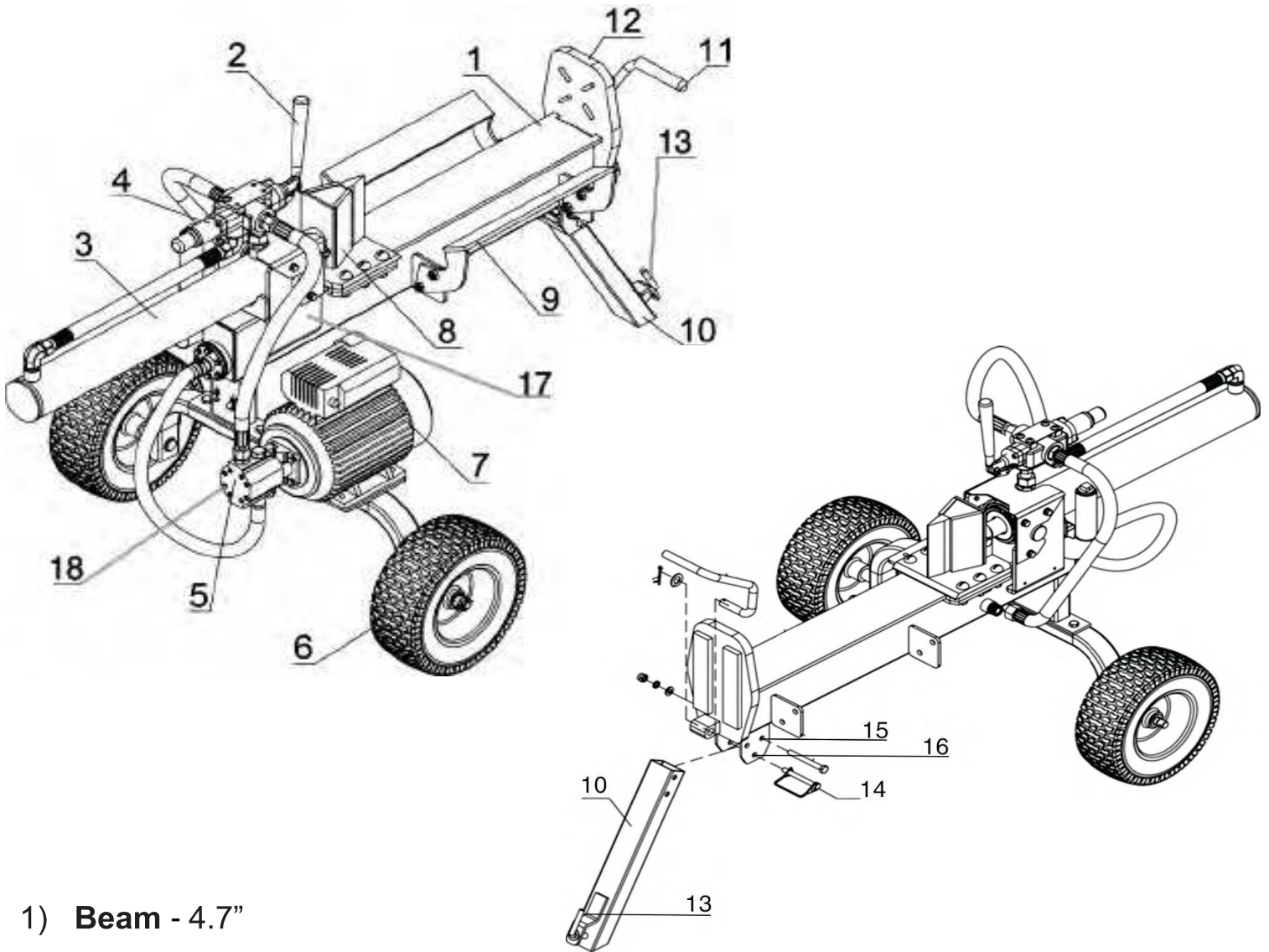
- **IMPORTANT:** Log Splitter is not approved or designed to be towed on Public Roads.
- Serious injury or death can occur if Towing Safety Rules are not followed.
- Review Towing Safety Warnings as mentioned in your Owner's Manual.
- Drive safely. Be aware of the added length that the lifter splitter adds to your vehicle.
- Never ride on or transport cargo on the Log Splitter.
- Always secure and only after the Log Splitter to the vehicle hitch before towing.
- Drive the vehicle only after the Log Splitter is securely attached.
- Turn off the vehicle if leaving the Log Splitter unattended.
- Choose a leveled surface to operate the Log Splitter.
- Block the lifter splitter's wheels to prevent any unattended movement.
- Never tow or operate this splitter while under the influence of alcohol, drugs or medication.
- Avoid large holes and ditches when towing the Log Splitter in a vehicle.
- Always tow at a reduced speed on rough or uneven terrains, along the side of creeks, ditches and hillsides.
- Do not exceed a speed of 45KM/H when towing the Log Splitter.

TOWING THE LOG SPLITTER



While towing, raise the Front Support Leg (10) and connect the Hitch Tongue (13) to your vehicle. The Lock Pin (14) should then be removed from the Operating Pin Hole (15) and inserted in the Towing Pin Hole (16).

LOG SPLITTER COMPONENTS



- 1) **Beam - 4.7"**
- 2) **Control Lever**
- 3) **Hydraulic Cylinder - 3.1" bore and 19.1" stroke, rated to 3600 psi.**
- 4) **Control Valve**
- 5) **Gear Pump** - The gear pump makes the hydraulic oil flow through the system.
- 6) **Tires** - Maximum rated towing speed is 5 MPH.
- 7) **Electric Motor**
- 8) **5.5" Splitting Wedge** - Features wedge wings & tapered ends making splitting easier.
- 9) **Log Cradle** - Keeps the log on the beam without operator assistance.
- 10) **Front Support Leg** - Supports the log splitter during operation or towing
- 11) **Handle Bar**
- 12) **End Plate**
- 13) **Hitch Tongue**
- 14) **Lock Pin**
- 15) **Operating Pin Hole**
- 16) **Towing Pin Hole**
- 17) **On/Off Switch**

LOG SPLITTER SPECIFICATIONS

Max. Force	12 Ton
Cycle Time	16 s
Hydraulic Tank Capacity	7L
Hydraulic Oil Required	5.2L
Max. Pressure	21"
Hydraulic Cylinder	3.15" x 19.1"
Max. Pressure	25Mpa (3600 psi)
Gear Pump	5GPM
Max. Towing Speed	5MPH
Wheel Size	12inches
Electric Engine	240V
Weight	105 kg
Height	36.2"
Width	36.6"
Length	61.34"

MOTOR SPECIFICATIONS

Volts	230
Amps	13.5
Poles	2
Hz	50
R.P.M	2800
Shield	IP54
Horsepower	3

LOG SPLITTER TROUBLESHOOTING

Problem	
Cylinder rod will not move	SOLUTION: A,D,E,H,J
Slow cylinder rod speed when extending or retracting	SOLUTION: A,B,C,H,I,K,L
Wood will not split or splits extremely slowly	SOLUTION: A,B,C,F,I,K
Engine bogs down during splitting	SOLUTION: G,L
Engine stalls under low load condition	SOLUTION: D,E,L,M
Cause	Solution
A -Insufficient oil to pump	Check oil level in reservoir
B -Air in oil	Check oil level in reservoir
C -Excessive pump inlet vacuum	Check pump inlet hose for blockage or kinks
D -Blocked hydraulic lines	Flush and clean the splitter hydraulic system
E -Blocked control valve	Flush and clean the splitter hydraulic system
F -Low control valve setting	Adjust control valve with a pressure gauge
G -High control valve setting	Adjust control valve with a pressure gauge
H -Damaged control valve	Return control valve for authorized repair
I -Internal control valve leak	Return control valve for authorized repair
J -Internal cylinder leak	Return cylinder for authorized repair
K -Internally damaged cylinder	Return cylinder for authorized repair
L -Engine Control out of adjustment	Adjust idle control nuts
M -Engine is loaded during idle down mode	Use shorter log length (21" or less) to allow engine to speed up before contact.

MAINTENANCE, STORAGE & ESSENTIAL CHECKS



WARNING

Improper maintenance and storage of the log splitter may void your warranty.

- Before performing maintenance, the log splitter must be placed in maintenance mode. Turn off the engine and move the control lever forward and backwards to relieve the hydraulic pressure.
- After performing any maintenance, make sure all guards, shields and safety features are put back in place before operating the log splitter.
- Before operating make sure the tires have the **RECOMMENDED TIRE PRESSURE**.
- Regularly grease axle and wheel bearing area or when needed.
- After the wheel bearings have been greased make sure the axle nuts and pins are in place and secure.
- Periodically check all fasteners and hoses for tightness and leaks.
- Annually clean and lightly lubricate all moving parts or when needed.
- Use a glossy enamel spray paint to touch up scratched or worn painted metal surfaces.
- Never exceed load capacity rating of 12 tons it will damage the log splitter.

What	When	How
Hoses	Each Use	Inspect hoses for exposed wire mesh and leaks. Replace all worn or damaged hoses before starting the engine.
Hydraulic Fittings	Each Use	Inspect fittings for cracks and leaks. Replace all damaged fittings before starting the engine.
Nuts and Bolts	Each Use	Check for loose bolts, tighten before operating.
Beam	Each Use	Apply grease to beam surface.
Moving Parts	Each Use	Clear debris from log splitter.

Oil Filter

This machine is not fitted with an Oil Filter and does not require one.

Storage

- Before storing make sure the log splitter is clean and dry for years of trouble free service.
- Lightly lubricate all log splitter surfaces and moving parts to prevent rust.
- Store indoors or protected area during severe weather and winter months.



WARNING

Skin Injection Hazard - Refer to your Engine Manual for further instructions

High pressure fluid can inject under the skin and can result in serious injuries!

- Make sure all hose and control fittings are tight before applying pressure. Relieve system pressure before servicing, as explained in point 2 at the top of the page.
- Do not check for leaks with your hand. Instead, place a piece of cardboard under the unit to check for leaks.
- If skin injection occurs, seek immediate 'Surgical Treatment'. Call 000.

WARRANTY AND SERVICE INFORMATION

Congratulations on the purchase of your new RedGum product. RedGum Products will assist you to complete the “job at hand” in an economical, safe and efficient manner.

This brochure explains the Warranty and Maintenance information for your product. This combined with your Owner’s Manual and the knowledge and expertise offered to you by your respective RedGum Dealer should provide you with the confidence that your decision to purchase a RedGum product was a good one.

STATEMENT OF WARRANTY

This statement of warranty applies to all RedGum products (offered by the manufacturer, RedGum Products). The manufacturer provides this warranty to the initial purchaser of this product (who has purchased it from an authorised RedGum Products dealer) for a period commencing from the date of purchase.

If the product is found to be defective, in RedGum Products’ opinion (due to a fault of the manufacturer) within the Warranty Period, RedGum Products will carry out the repair or replacement to the customer Free of Charge, provided:

- The fault is reported directly to the place of purchase.
- Sufficient proof of purchase is provided.
- The fault is not caused by misuse, neglect or incorrect adjustment by the user.
- The failure has not occurred through normal wear and tear.
- The product has not been serviced, repaired or alterations made by any one not authorised by RedGum Products to do so.

The Warranty Periods

The warranty periods mentioned below commence on your date of purchase:

Customer Type	RedGum Splitter	RedGum Chipper
Private/Domestic	24 months	12 Months
Commercial	3 months	3 Months

NOTE:

- Engines are covered by the respective original equipment manufacturers warranty and claims are made direct to the manufacturer agent.
- Replacement parts and accessories fitted during a repair under terms of warranty will enjoy cover for the remainder of the warranty period of the finished product.

Please note that all Warranty Claims for Repairs and Service can only be made through an Authorised RedGum Dealer

WHAT IS NOT COVERED UNDER WARRANTY

The following items are not covered by this warranty:

- Normal maintenance items which become worn through use, including, but not limited to, belts, blades, oil, blade adapters, filters, rewind springs, spark plugs, starter ropes, clutches and sprockets.
- Natural discoloration of material due to sunlight.
- Engines not manufactured by RedGum Products, these items are covered by the respective original equipment manufacturers' warranty, all claims must be sent to the appropriate manufacturer's agents.
- Using stale or contaminated fuel in the product.
- Damage or failure caused by accident, misuse and/or neglect, including, ingress of dirt, abrasives, moisture, rust & corrosion, and damage due as a result of inadequate maintenance.
- Failure to operate or maintain the unit in accordance with the Owners/Operators manual, this handbook or instruction given by a RedGum dealer.
- Alterations or modifications that change the intended use of the product or affect the product's performance, operation, safety or durability, or causes the product to fail to comply with any applicable laws.
- Damage due to incorrect usage such as incorrect log placement (as shown in the product's respective Owner's Manual)
- Additional damage to parts or components due to continued use occurring after any of the above.

ITEMS FOR WHICH A CHARGE WILL BE MADE

The following list is a guide to the types of items for which a charge will be made (unless failure is caused by a defect in the manufacturer's materials or workmanship).

Service: Maintenance servicing and all parts and fluid replaced in line with the maintenance schedule shown in this handbook.

Mechanical Adjustments: Including engine tuning, adjusting brakes, belts & clutches etc.

Drive System: Sprockets, belts, clutches, pulleys and bearings all wear and will require replacement.

Cutting Equipment: Blades, cutting discs and hammers wear during use and sharpening/replacement is required as a matter of normal maintenance.

Spark Plugs: Periodic replacement is required to ensure maximum engine performance and best fuel economy.

Induction/Combustion System: The removal of deposits and cleaning may be required from time to time and should be performed as necessary.

Tyres: Tyres are subject to wear and if they come in contact with external objects, they can deflate. A flat tyre is not a warrantable item.

External Surfaces, Paint, Trim and other Appearance items: Are affected by normal wear and tear and exposure to environmental conditions. A charge will be made for paint and trim items that require attention due to causes outside the manufacturer's control.

Hydraulics: Changing hydraulic fluids

The frequency of replacement, repair or adjustment will depend mainly on where and how you use your product, weather, atmospheric and environmental conditions and frequency of use.

CUSTOMER RESPONSIBILITIES

The customer must provide to an authorised RedGum Dealer their proof of purchase information such as a receipt.

The product must exhibit reasonable care in the maintenance, operation, storage and general upkeep practices as explained in the maintenance section of the Owners/Operators Manual or this handbook. This includes the whole product or any general wear item or component on the product. Any costs incurred to obtain warranty consideration or services is the customer's responsibility, including shipping and handling, travel expenses, lost time, lost production or pickup and delivery.

YOUR RIGHTS AS A CUSTOMER

The New Product Warranty that is provided by RedGum Products is in addition to the rights and remedies conferred on consumers by the relevant authorities and/or legislation. The warranty does not affect those rights or remedies, except to the extent that their application may lawfully be excluded. Any consequential, direct or incidental loss or damage is not covered by the warranty. Any statutory or other rights or remedies available in connection with a claim for such loss or damage should be pursued separately.

WHERE TO GO FOR WARRANTY REPAIRS

Take your RedGum product to any authorised RedGum Dealer if it needs Warranty repairs. All Authorised RedGum Dealers will honour New Product Warranties and will repair, replace or adjust any part of your product Free of Charge (only if it is defective due to factory materials or workmanship).

Please note that RedGum is unable to reimburse the cost of repairs carried out during the Warranty Period by a repairer who is not an Authorised RedGum Servicing Dealer. To find your nearest RedGum dealer, please visit our website or give us a call.

RedGum Products

Visit www.RedGumProducts.com.au • Call 1300 039 251

WARRANTY INFORMATION

Please note down for future reference:

RedGum Splitter Model: RedGum Electric Logsplitter

Date of Purchase:.....

Serial Number:.....

Engine Number:.....

Purchased from:.....

To find your nearest Authorised RedGum Products dealer, visit:
www.RedGumProducts.com.au or Call Toll Free 1300 039 251

The manufacturer reserves the right to make improvements in design and/or changes in specifications at any time without incurring any obligation to install them on units previously sold.

NOTES

A series of horizontal dashed lines for writing notes.

NOTES

A series of horizontal dashed lines for writing notes.

ACCESSORIES AVAILABLE

1.) RedGum Hydraulic Oil (Fluid 46 5L) - RRP \$49.75

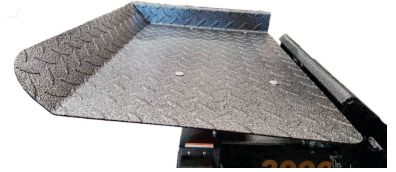
High quality hydraulic oil fluid - ideal for topping up the log splitter's hydraulic reserve, when required.



2.) RedGum WorkTable & Heavy Duty WorkTable

Improves productivity by preventing split logs from falling to the ground. It also helps reduce the effort of picking up split logs that require further splitting.

WorkTable - \$99, Heavy Duty WorkTable - \$129 (pictured)



3.) RedGum Logsplitter Dust Cover - RRP \$99

Heavy-duty 200D logsplitter cover for superior protection against dust, dirt and heavy rain!



4.) RedGum Log Turn Table - RRP \$329

Our Patented Turn Table accessory fits all RedGum Log Splitters and allows for easy turning of heavy logs (for repeat splitting) when in vertical position.



5.) The Davis Starlifter - RRP \$289

Dual-purpose tool designed to lift and elevate logs off the ground to a more steady position for cutting. Also lifts T-posts vertically out of the ground.



BRAND NEW ACCESSORY - CHECK IT OUT!

RedGum Vertical Splitting Plate - RRP \$179

A new innovation by RedGum, this accessory is compatible with all non-lifter RedGum log splitters. As an alternative to the Log Turn Table, this stationary plate makes vertical splitting of logs super simple and pain-free!



RedGum Products

For more information contact your local RedGum Dealer

Visit: www.RedGumProducts.com.au

Phone: 1300 039 251



Follow us on Facebook: www.facebook.com/redgumproducts