

Product Pairing Guide: Low-Z Power | Noise-Dissipation Systems
Niagara AC Power Conditioners, NRG, Wind, and Storm AC Power Cables



C13
15 Amp Maximum RMS
Capacity @ 120VAC 60 Hz



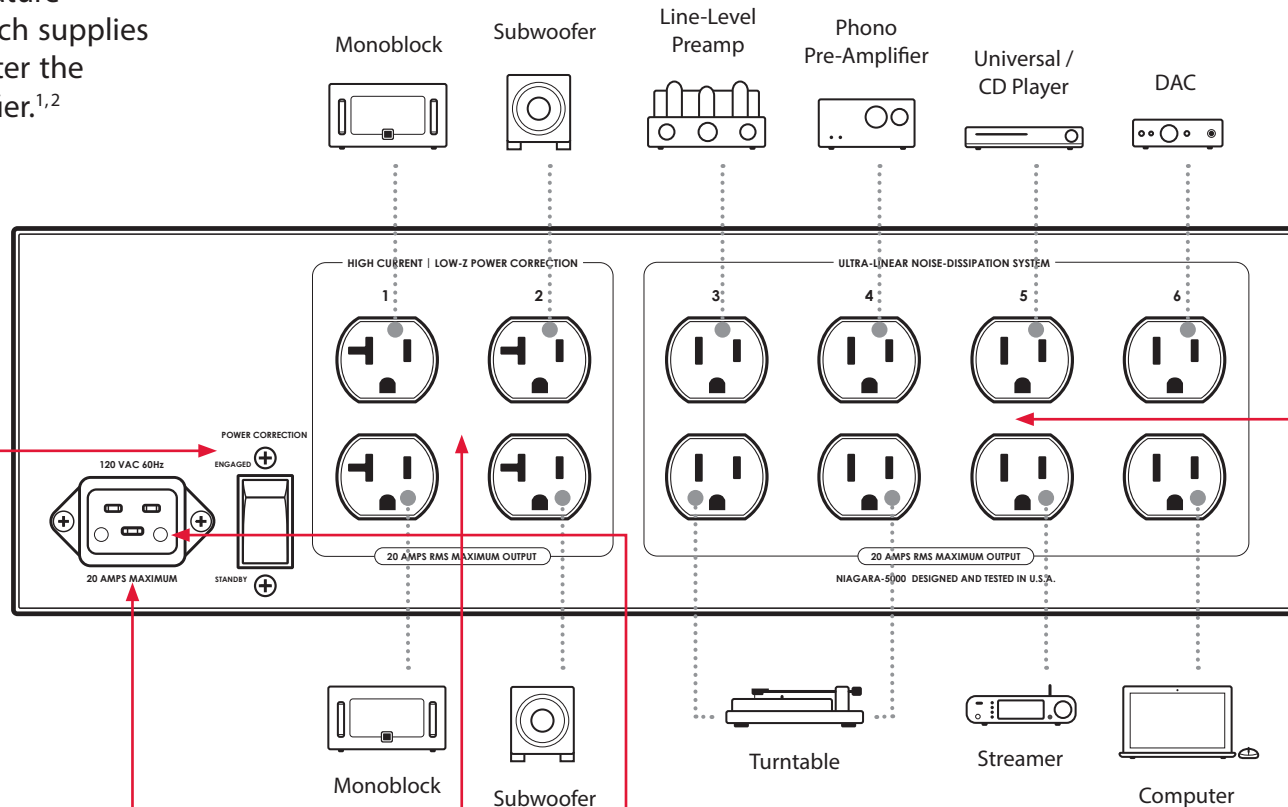
C19
20 Amp Maximum RMS
Capacity @ 120VAC 60 Hz

Model	Niagara 3000	Niagara 5000	Niagara 7000
Retail Price	\$5,000.00	\$7,500.00	\$14,000.00
Connector	C13	C19	C19
AudioQuest AC Power Cables			
Best	THUNDER 	HURRICANE 	DRAGON
Retail Price / Length	\$1,650.00 / 2m	\$3,400.00 / 2m	\$12,700.00 / 2m
AudioQuest AC Power Cables			
Better	BLIZZARD 	TORNADO 	FIREBIRD
Retail Price / Length	\$1,125.00 / 2m	\$2,425.00 / 2m	\$7,500.00 / 2m
AudioQuest AC Power Cables			
Good	MONSOON 	THUNDER 	HURRICANE
Retail Price / Length	\$690.00 / 2m	\$1,650.00 / 2m	\$3,400.00 / 2m



With AudioQuest power cords and our unique technologies, such as **ZERO-Tech** (No Characteristic Impedance) and our patented **RF/ND-Tech**, you'll experience greater dynamics, bass grip, extended high frequencies, and the blackest backgrounds you've ever heard.
Note: To ensure a linear ground drain away from the Niagara's **Ground-Noise Dissipation** (GND) circuits, an AudioQuest AC power cable **MUST** be used in the Niagara's AC inlet. Otherwise, you have not experienced the **true capabilities** of a Niagara Noise-Dissipation System.

Niagaras 3000, 5000, and 7000 feature **Transient Power Correction**, which supplies a current reservoir to greatly bolster the performance of any power amplifier.^{1,2}



Constant-Current (Source) AC Power Cables

Optimized for use with audio/video source components, which have a constant or “fixed” current draw.

Variable Current (High-Current) AC Power Cables

Optimized for use with AC power conditioners/regenerators, power amplifiers, and any components that contain a built-in power amplifier, including AV receivers, powered speakers, and powered subwoofers.

NRG Edison Duplex Wall Outlet

Beryllium-Copper base metal provides superior spring tension and long-lasting, low-impedance AC power connections. Hanging-Silver plated, high-tension surfaces ensure the lowest possible distortion. Significantly greater metal mass and grip provide optimum current delivery.



¹The **TPC** switch controls a portion of the **TPC** circuit and should be set to *Standby* in specific occasions.
²A current sense circuit bypasses the **TPC** switch in Niagara 5000 & 7000 if any component is connected to *Outlet Duplex #1*.