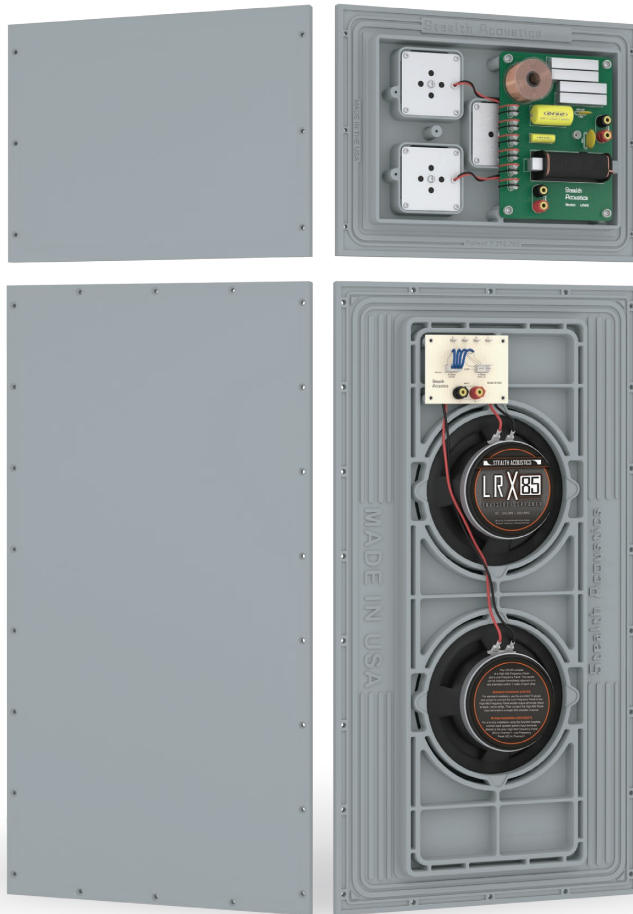


## FULL RANGE 7-ELEMENT EXPERT-GRADE HIGH-POWER 2 PANEL INVISIBLE SPEAKER SYSTEM - PASSIVE



## LINEAR RESPONSE X

INVISIBLE SPEAKERS - EXPERT GRADE

The model LRX-85 invisible speaker is a premium, 3-way, two panel system. The LRX-85 is truly a powerful and complete full-range solution, requiring no special bass-limiting filters, ancillary protection circuits or external subwoofers. For even greater ability, an active, bi-amplified LRX-85ACT version is also available.

300 watt power handling enables output up to 105dB with premium extended-range sound quality. The LRX-85 performs as an exemplary invisible speaker in a wide range of applications, including home theaters, high-impact distributed audio and critical listening environments where aesthetic needs demand no visible presence of a loudspeaker.

The LRX-85 utilizes separate, easy to install, flat front panels for mid-high and bass reproduction, improving performance while minimizing intermodulation distortion. The two panels may be mounted as far as 1 meter apart and still provide quality outcomes.

The mid-high panel incorporates four 30 mm neodymium mid-range drivers and one 25 mm neodymium high-frequency driver aligned in Stealth's Quad-Balanced Midrange Drive™ configuration. Advanced internal materials and smooth sounding FidelityGlass™ panel face allow for upper frequency response to 20 kHz. A multi-stage passive crossover is provided to allow a single speaker line from the amplifier to feed both mid-high

### Recommended Applications:

- Home Theater / Surround Sound
- High End Multi-Room Audio System Presentation Systems
- Foreground Music
- Stereo Listening Areas

### Recommended Installations:

Flush mounted in walls or ceilings constructed of wood or steel framing with ½" (12.7 mm) or thicker gypsum wallboard. Minimum 2¾" (70 mm) cavity depth required.

### Performance:

- 300 watts RMS
- 35Hz to 20kHz (see Figure 1)
- 120 watts minimum recommended power

### Protection:

Three independent self-resetting circuits (low, mid and high-frequency).

### On-Site Finish Options:

Finish options include latex paint, flat finish, orange peel texture, light plaster, light wallpaper, light fabric, wood veneer, and other selected approved finishes.

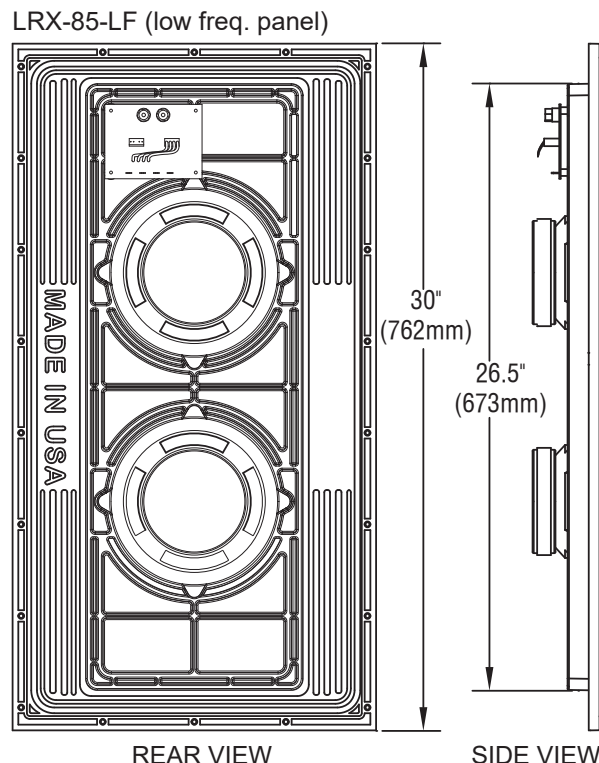
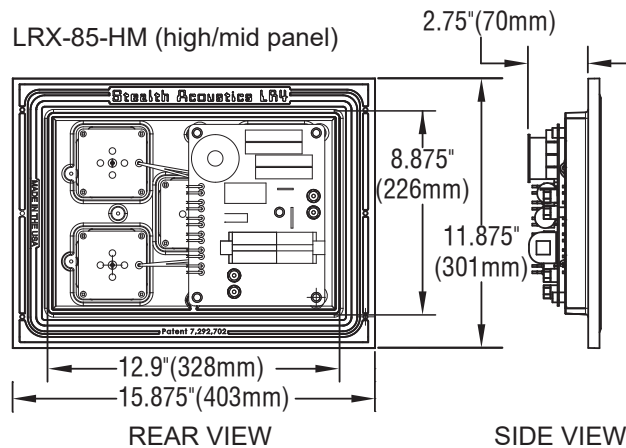
and bass panels. The LRX-85 crossover contains three independent self-resetting protection circuits to protect the speaker from excessive amplifier power, ensuring maximum long-term reliability.

The separate dual 8" high-power cone woofer bass-stage panel provides extended bass response down to 35Hz when the panel is installed in a recommended back box and properly tuned. The result is an impressive sounding loudspeaker rivaling visible alternatives.

Stealth Acoustics' invisibility offers a powerful advantage over traditional loudspeakers because they can be placed wherever they sound best, free of visual concerns that may conflict with

architectural features. The LRX-85 is designed to be installed into standard wall or ceiling constructions with many on-site finishing options that include paint, light wallpaper, fabrics, wood veneers, vinyl graphics and selected texture coats. There is no need for non-standard wallboard finishing materials. Installation instructions are shown on a paper overlay that is to be removed before installation. The overlay can also be used as a cutting template for retrofitting the speakers into existing wallboard. Unique mounting and advanced finishing methods may be accomplished using special techniques.

All Stealth Acoustics speakers are covered by a standard 5 year manufacturer's warranty as well as an optional 15 year extended warranty.



**Product Specifications**

**Frequency Response:**

35Hz to 20kHz (see Figure 1)

**Power Capacity:**

300 watts RMS  
120 watts minimum recommended power

**Protection:**

Three independent self-resetting devices  
(low, mid and high frequency)

**Sensitivity:**

84 dB (1 watt / 1 meter)

**Driver Components:**

High frequency: 1" (25 mm) neodymium driver  
Midrange frequency: Four 1½" (30 mm) neodymium drivers  
Low-frequency: Two 1½" (38 mm) voice coil, 8" (203 mm) woofers with 20 oz. (622 gr) ceramic magnet

**Crossover:**

Passive 3-Way @ 500Hz and 3kHz (asymmetrical)

**System Impedance:**

8Ω nominal

**Polar Dispersion:**

170 degrees vertical and horizontal

**Dimensions LRX-85-HM (High-Mid Panel only):**

Width: 15½" (403 mm)  
Height: 12" (305 mm)  
Mounting Depth: 2¾" (70 mm)

**Dimensions LRX-85-LF (Low Frequency Panel only):**

Width: 15½" (403 mm)  
Height: 30" (762 mm)  
Mounting Depth: 2½" (64 mm)

**Shipping Weight:**

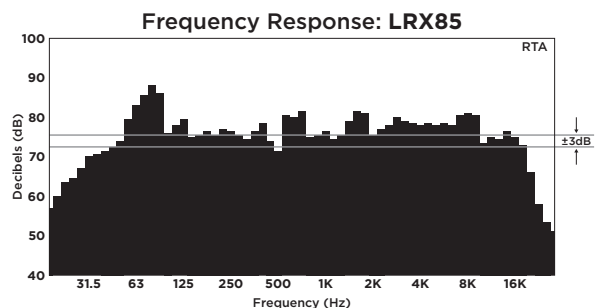
61 lbs. (28 kg) per pair (4 Panels)

**Included Accessories:**

Mounting shims  
Mounting screws  
Terminal wrench

**Optional Accessories:**

PS12/30	PlaceSavers™
BX12-85/30	MDF Acoustic Back Boxes
MBX12/30	UL Listed Metal Back Boxes
MBA 22/30	UL Listed Metal Back Boxes - Adjustable
MBC 12/30	Concrete Back Box
SK-1	Shim Kit
WARRANTY	Extended Warranty - 15 year



On-axis frequency response in standard stud wall with four coats of latex paint applied to the speaker face panel.

## Architectural & Engineering Specifications

---

The invisible loudspeaker shall be a separated two-panel, three-way, full-range system, producing frequencies from 35Hz to 20kHz. No additional subwoofer shall be required to reach specified speaker frequency response.

The high-mid panel (LRX-85-MH) shall be 15 $\frac{7}{8}$ " (403 mm) wide, 12" (305 mm) tall, 2 $\frac{3}{4}$ " (70 mm) deep and incorporate four directly coupled 25 watt, 30 mm neodymium midrange drivers and one directly coupled 25 watt, 25 mm neodymium high-frequency driver, aligned in a 4-element balanced midrange drive configuration. Advanced internal materials bonded to a durable modified fiberglass panel face shall allow for extended upper frequency response to 20 kHz.

A separate, specially modified and dampened fiberglass faced bass-stage panel (LRX-85-LF) measuring 15 $\frac{7}{8}$ " (403 mm) wide, 30" (762 mm) tall, 2 $\frac{1}{2}$ " (64 mm) deep with dual 8" high-power cone woofers shall provide extended bass response down to 35Hz when the panel is installed in a recommended back box and properly tuned.

The total flat-front radiating surface shall be 440 sq. in (2,839 sq. cm). Broad-

band dispersion throughout the devices entire frequency range shall be a nominal 170 degrees in both horizontal and vertical planes. The loudspeaker system shall have a sensitivity of 84 dB, 1 watt / 1 meter, with a capacity of 300 watts RMS according to EIA standard RS-426-A. Minimum applied amplifier power shall be no less than 120watts @ 8ohms.

The loudspeaker shall incorporate a passive multi-stage crossover on the mid-high panel that receives a single full-range signal from an amplifier channel. The crossover shall have a dedicated post-filter connection point to feed the low-frequency panel. The crossover shall have three independent self-resetting protection devices, one each for the high-frequency, midrange, and low-frequency drivers.

Back boxes (MBX12/30, MBA30, MBC12) or equivalent custom enclosures must be utilized in conjunction with the loudspeaker panels in the installation.

The loudspeaker shall fit into wood or steel, stud/beam flat-surface construction with a minimum 2 $\frac{3}{4}$ " (70 mm) depth cavity. The loudspeaker shall mount directly to the structural framing and have the capability of seamlessly adjoining  $\frac{1}{2}$ " (12.7 mm) or

thicker gypsum wallboard. The minimum distance between framing members shall be 9 $\frac{1}{2}$ " (241 mm).

The loudspeaker is to be installed into standard wall or ceiling constructions as specified or shown on the drawings, using normal gypsum wallboard finishing techniques with on-site finishing options that may include paint, light wallpaper, fabrics, wood veneers, vinyl graphics and selected texture coats. Specifier will denote finish requirements.

Installation and finishing shall be performed by a qualified trades person familiar with drywall and custom paint finishes. Installation instructions shall be shown on a paper overlay attached to the loudspeaker which must be removed before installation. The overlay shall also be used as required as a cutting template for retrofitting the speakers into existing constructions. Any unique mounting requirements or finishing methods are to be provided as specified.

The loudspeaker shall be the Stealth Acoustics Model LRX-85 and shall carry a 5 year manufacturer's warranty.

LINEAR RESPONSE X  
INVISIBLE SPEAKERS - EXPERT GRADE