



CAR SEAT ADAPTER STRAPS 52002

Instructions for installing the following infant car seats
on your Bombi™ Bēbee Lightweight Stroller:

- Graco® SnugRide® 35 Lite LX
- Chicco® Keyfit® 30
- UPPAbaby® Mesa
- Nuna® Pipa
- Nuna® Pipa RX
- Nuna® Pipa Lite RX

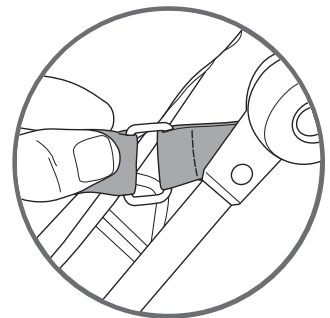
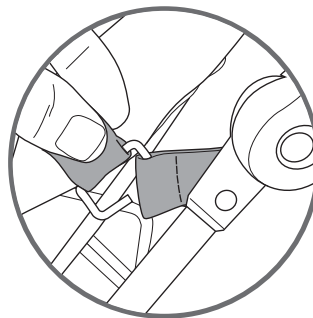
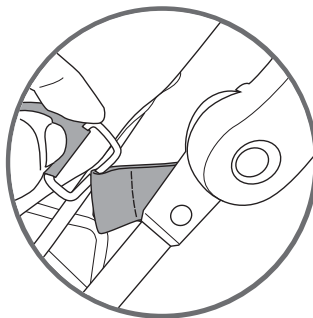
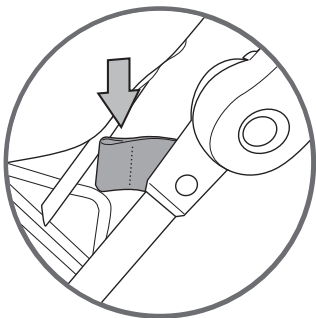
For technical support
please contact us at:
Phone: 401 300 5522
E-mail:
info@bombigear.com

WARNING

- **Never install car seat without fastening it securely to the stroller with provided Car Seat Adapter Straps**
- **Car seat must be in rear facing position only**
- **Never lift the stroller by infant carrier handle**
- **Use only with Graco® SnugRide® 35 Lite LX, Chicco® Keyfit® 30, Nuna® Pipa, Nuna® Pipa RX, Nuna® Pip Lite a RX, Uppa Baby® Mesa. Other car seats do not fit with your stroller and may result in serious injury. NEVER use them as they have not been safety tested.**

INSTALLING YOUR CAR SEAT ADAPTER STRAPS

- 1 Locate the car seat adapter strap anchor loops on the insides of the stroller frame rails
- 2 Attach each end of the straps to the anchor loops as shown below

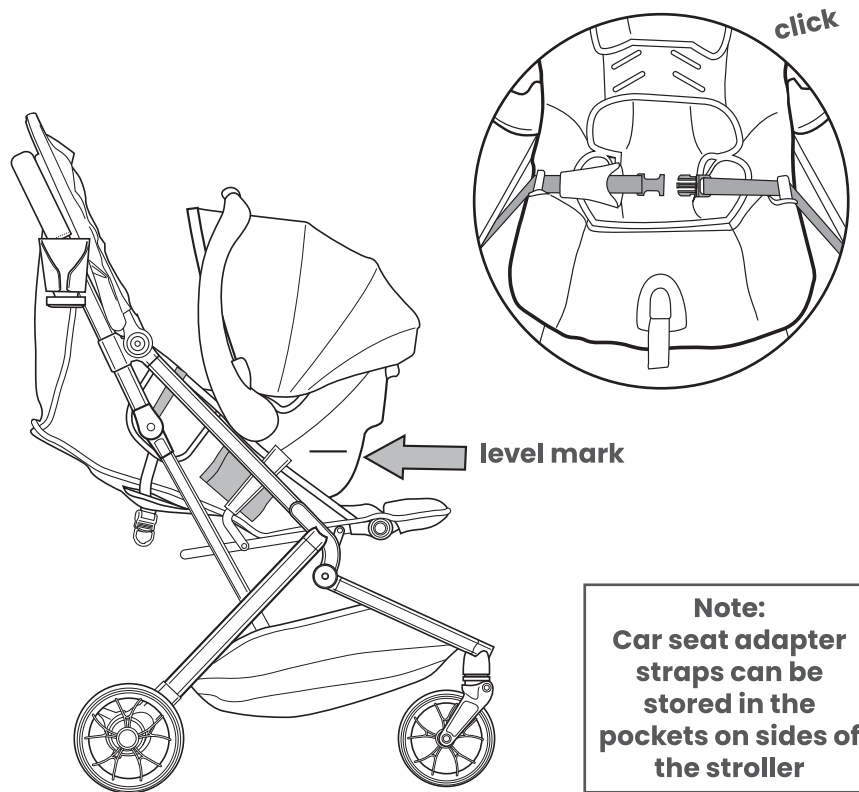


INSTALLING YOUR CAR SEAT

- 1 Remove bumper bar from your Bébee stroller
- 2 Rotate the footrest into the horizontal position
- 3 Lower the seat back to the fully reclined position
- 4 Fold canopy back
- 5 Place the car seat into the stroller in rear facing position so that it is in full contact with both the stroller seat area and seat back
- 6 Level the car seat using the level markings on the car seat



- 7 Route the car seat adapter straps through the vehicle belt hooks and across the top of the car seat, lock the buckle, pull tight, then slide the padded buckle cover over the buckle. Raise the car seat handle into the upright position.



⚠ WARNING

AVOID SERIOUS INJURY FROM FALLING OR SLIDING OUT. ALWAYS ROUTE THE CAR SEAT ADAPTER STRAPS THROUGH THE VEHICLE BELT HOOKS ON THE CAR SEAT AND RAISE THE LEG REST UP INTO ITS LOCKED POSITION.

Note:
Car seat adapter straps can be stored in the pockets on sides of the stroller

We stand behind all of our products. If you are not completely satisfied or have any questions, please contact our Consumer Relations Team at info@bombigear.com or call 401 300 5522.

© 2022 Memm, LLC, 1561 Hartford Ave, Johnston, RI 02919 USA MADE IN CHINA