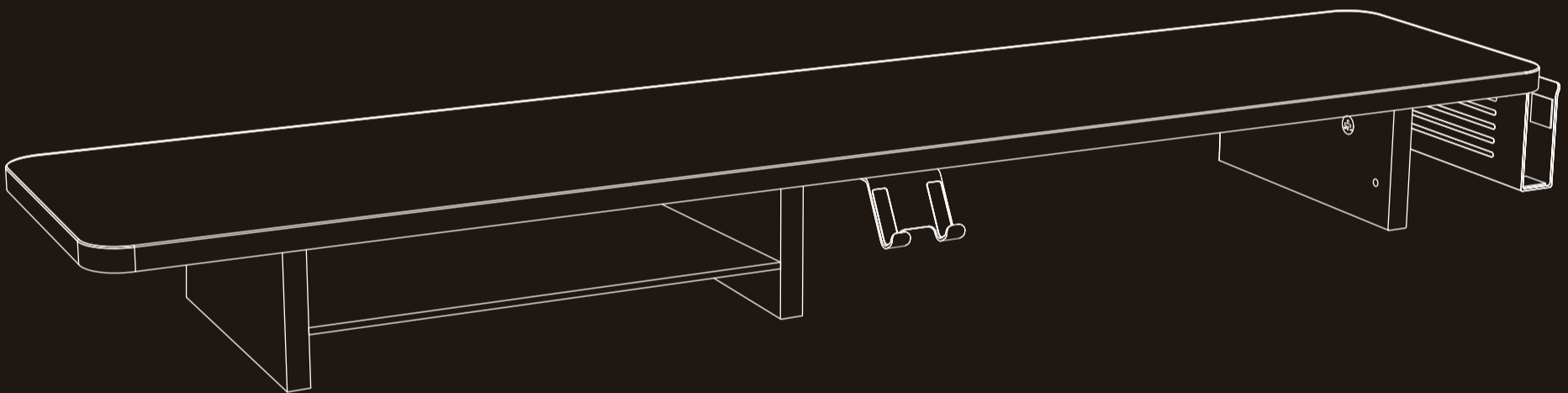




# Flujo élever Pro

## Dual Monitor Riser Stand

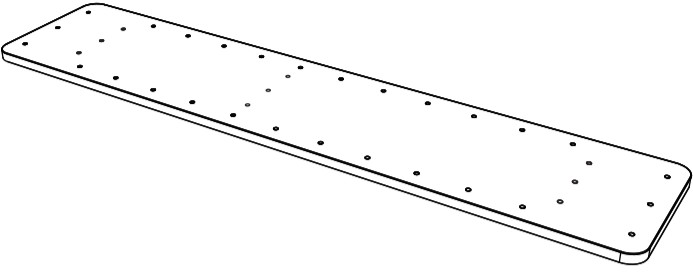
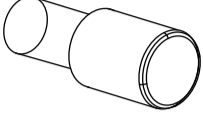
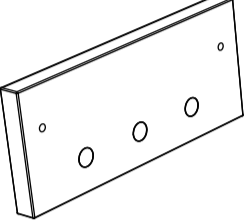

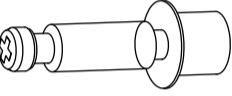


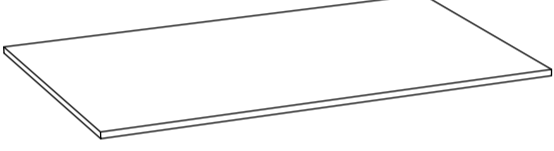


[www.flujostore.com](http://www.flujostore.com)

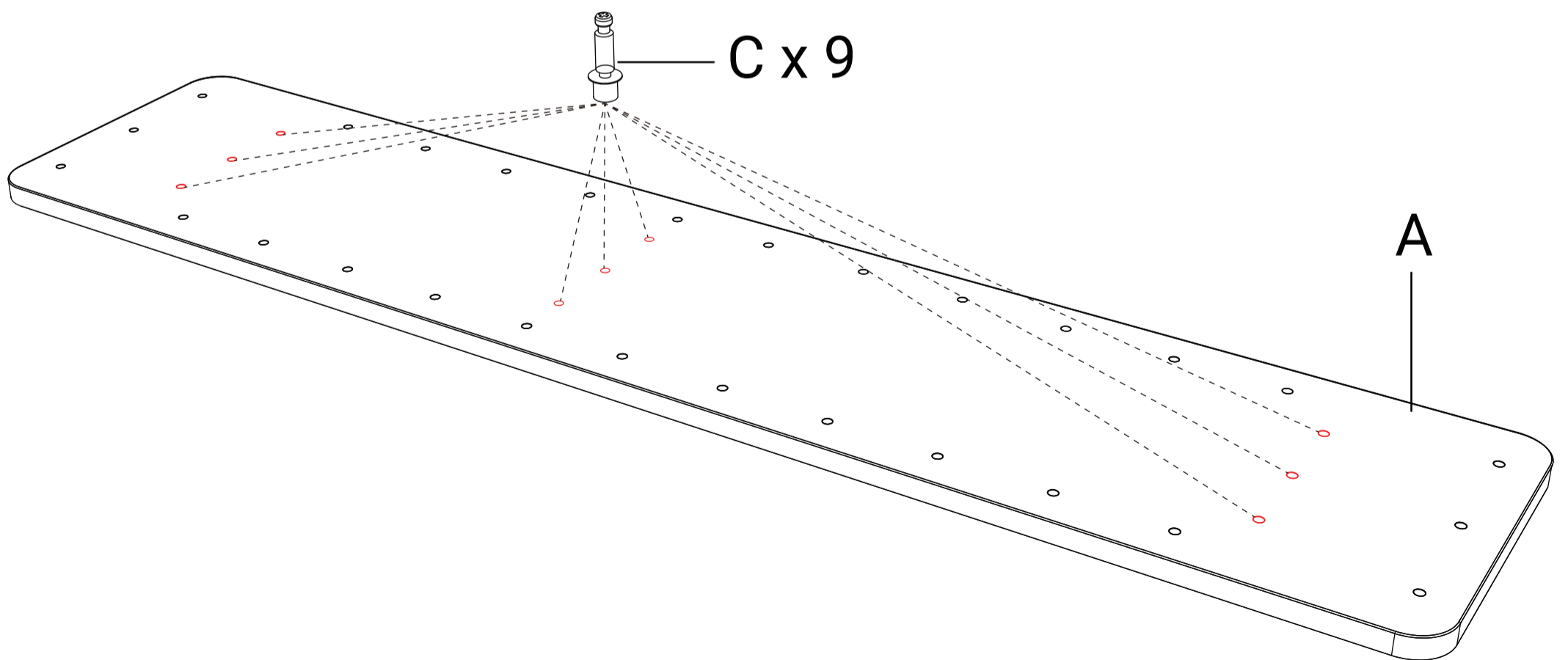


Scan the QR code for more information

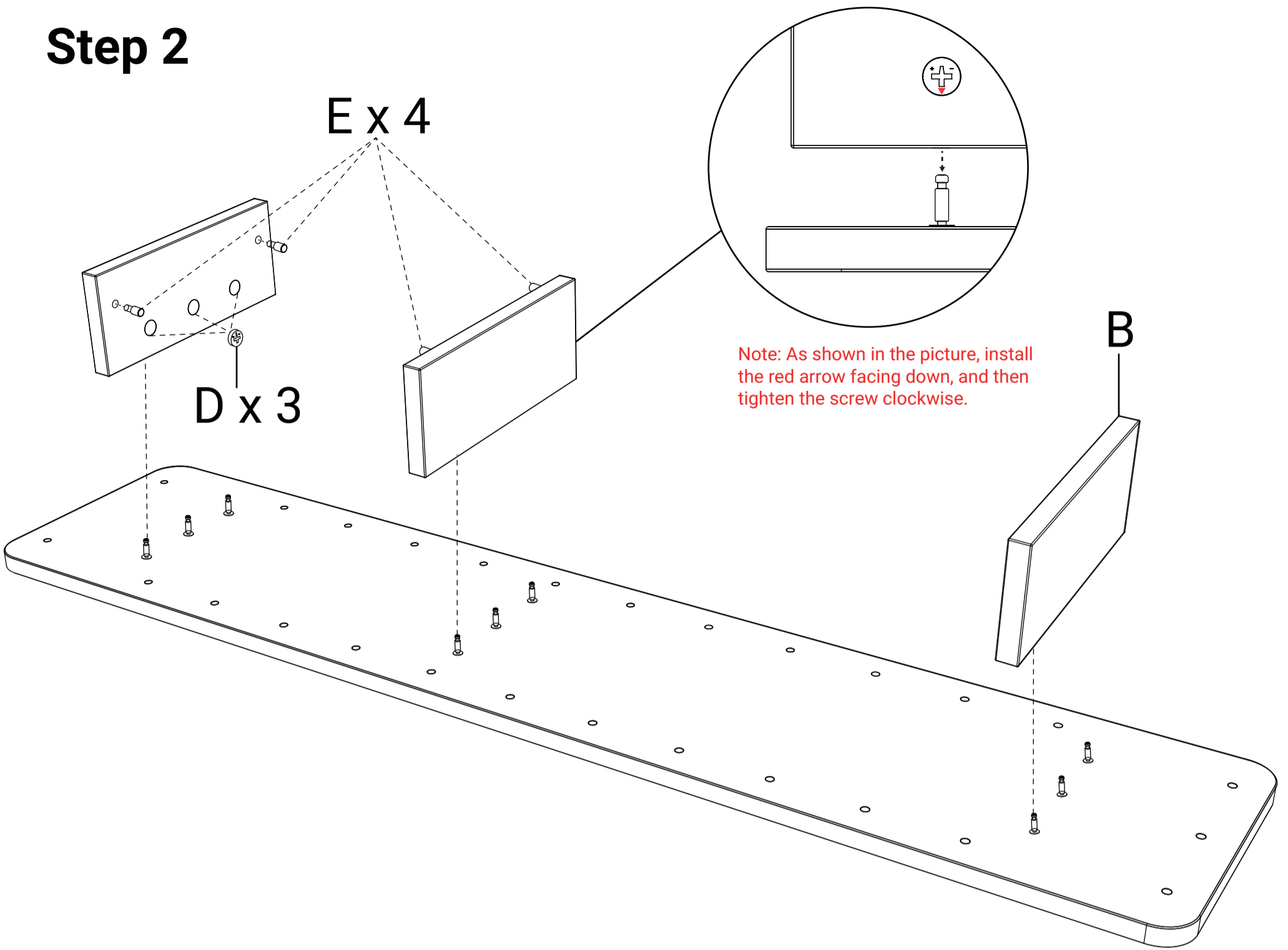
# ASSEMBLY INSTRUCTIONS

PART		QTY.	PART		QTY.
<b>A</b>		<b>1</b>	<b>E</b>		<b>4</b>
<b>B</b>		<b>3</b>	<b>F</b>		<b>1</b>
<b>C</b>		<b>9</b>	<b>G</b>		<b>1</b>
<b>D</b>		<b>9</b>	<b>H</b>		<b>1</b>

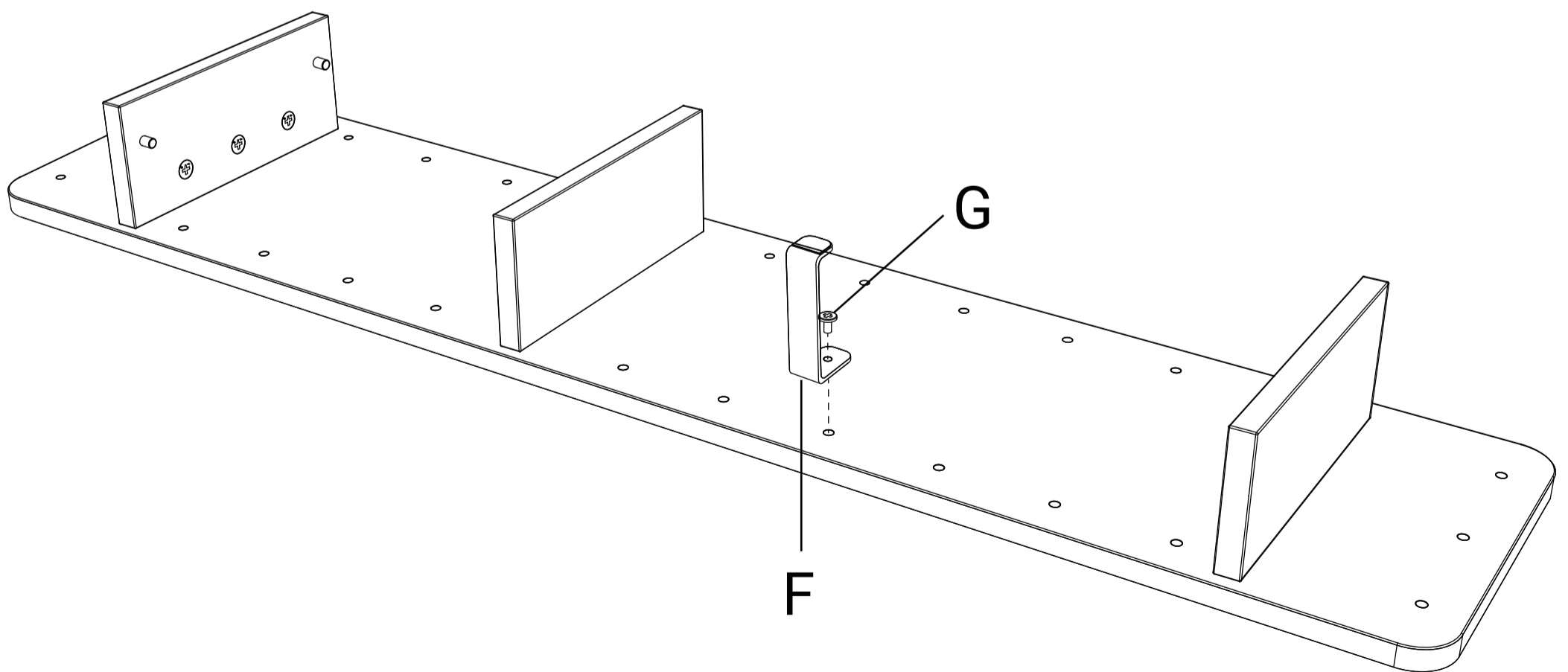
## Step 1



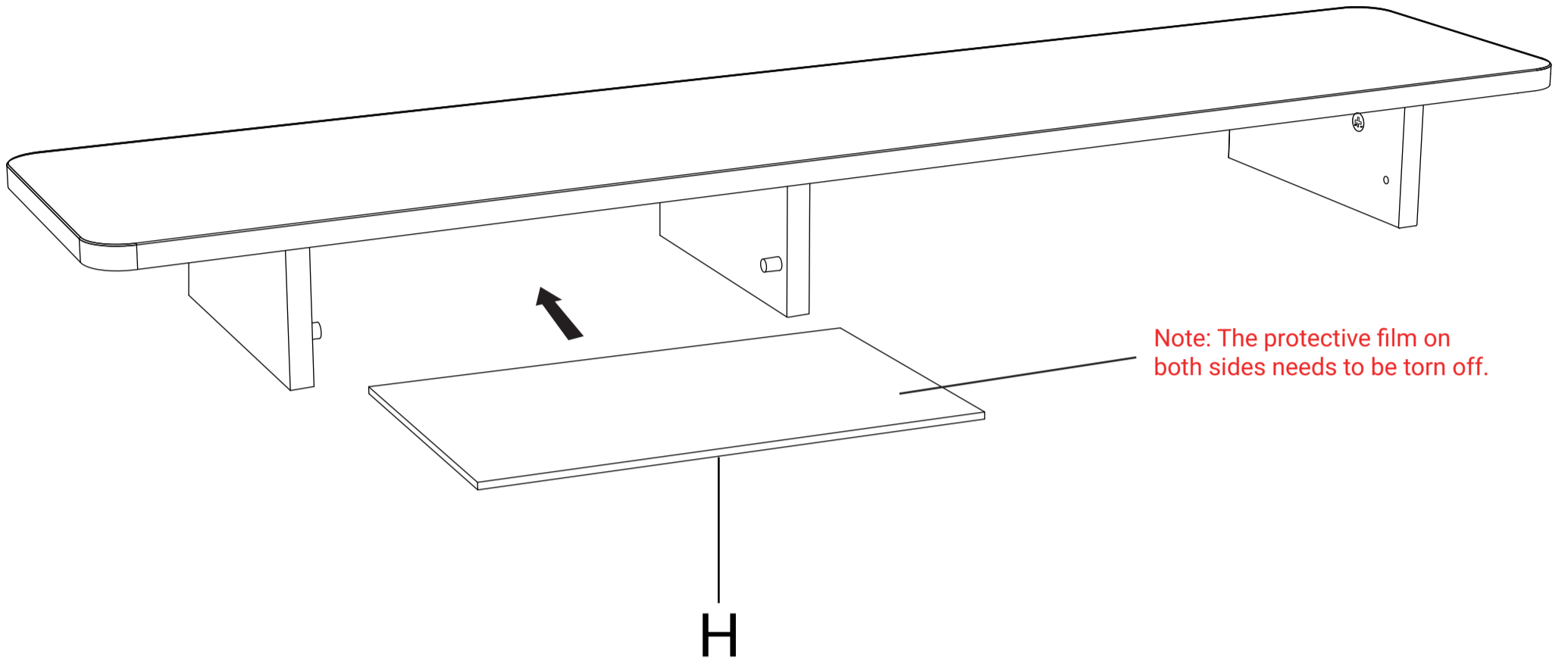
## Step 2



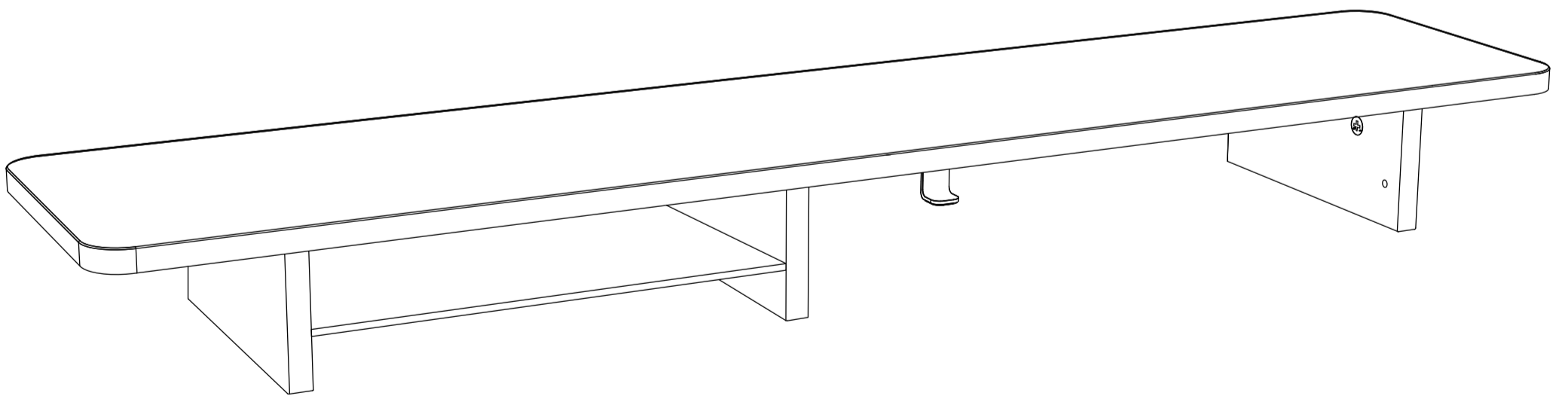
## Step 3



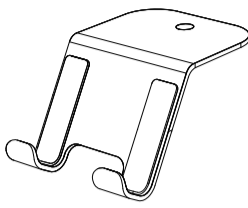

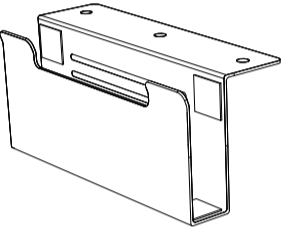

## Step 4



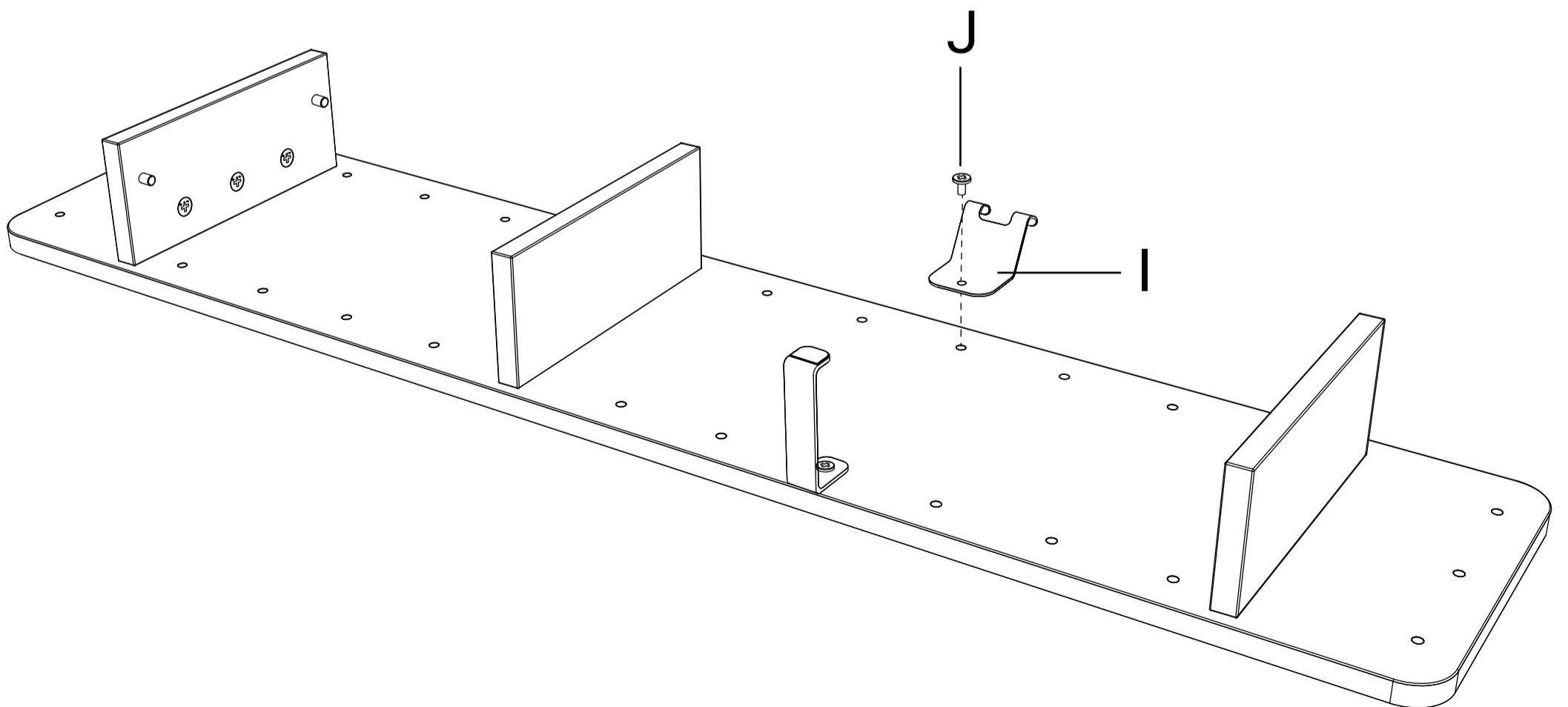
## Step 5



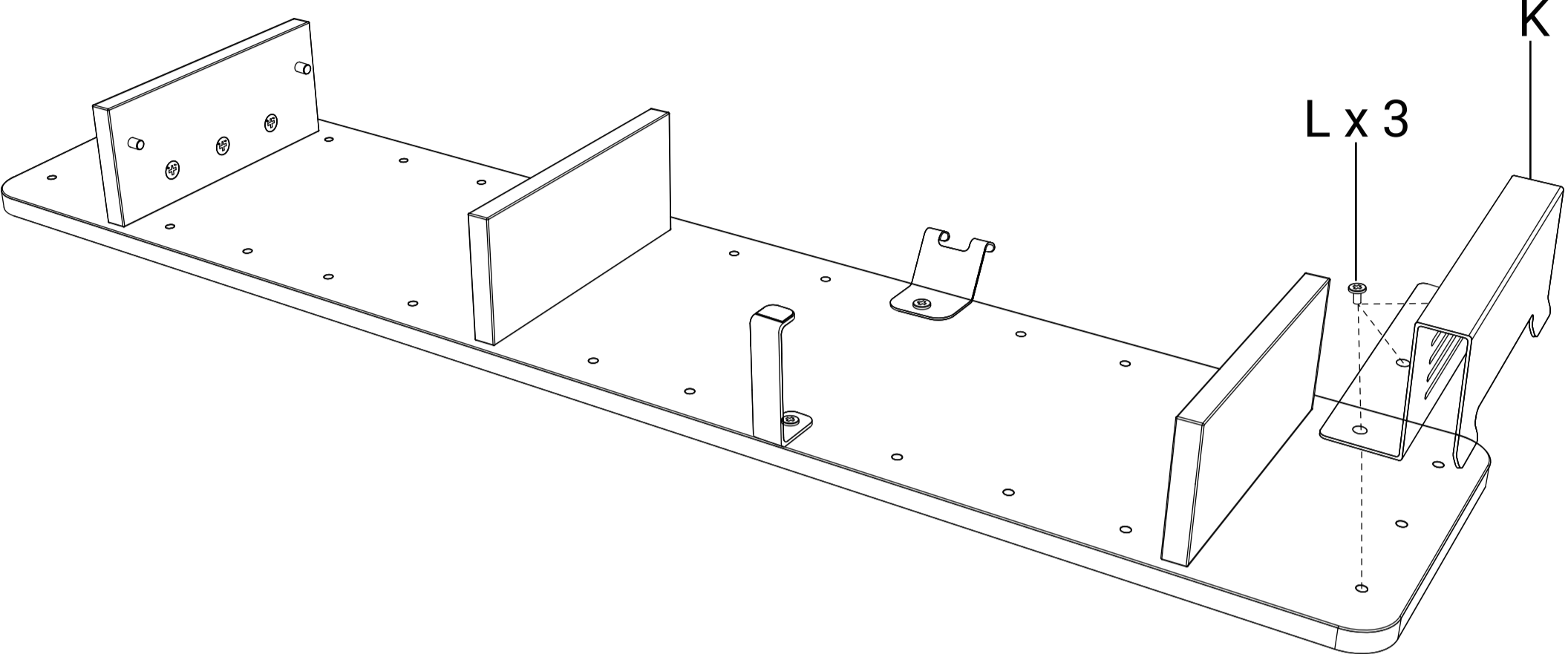
# OPTIONAL

PART		QTY.
I		1
J		1
K		1
L		3

## Step 1



# Step 2



# Step 3

