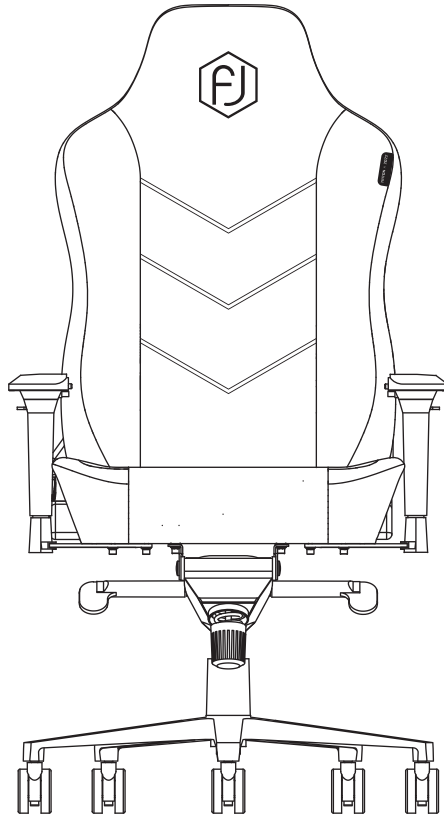




Ergonomic Gaming Chair

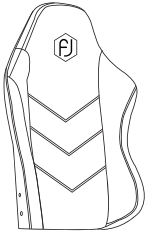


01 Check Various Accessories

Details of accessories

Please check and ensure the things are in the package. You can contact us for help if something is not included.

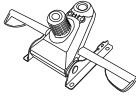
a BACK



b SEAT



c MECHANISM



d GAS LIFT COVER



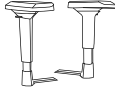
e HEADREST



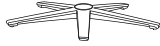
f ANGLE ADJUSTOR



i ARMRESTS



j BASE



k LUMBAR PILLOW



l GAS LIFT



m CONNECTOR



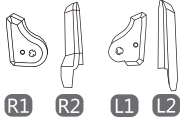
g CASTER
5pcs



h WRENCH
2pcs



n DUST COVER



R1

R2

L1

L2

o M5*8 4pcs

p M8*20 4pcs

s M8*25 8pcs

q M8*35 8pcs

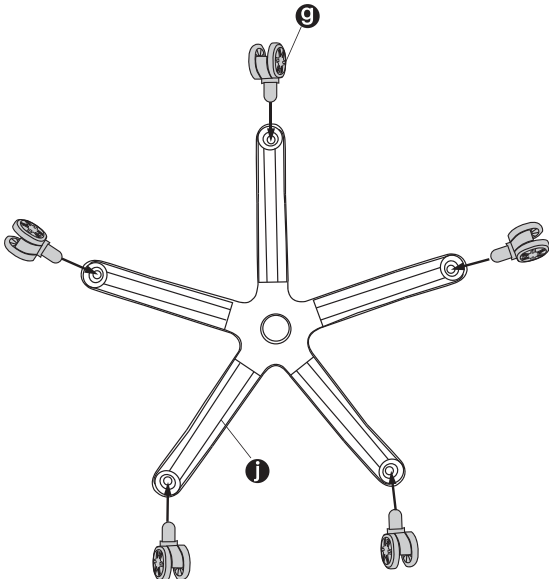
r CAP 4pcs

02 Instructions Before Using

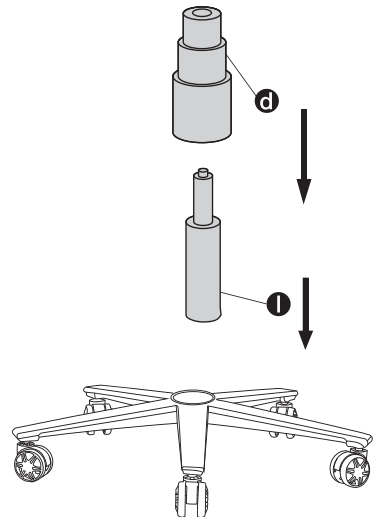
Chair of Installation

Please work on soft floor or put on soft mat on the floor to avoid damaging the floor.

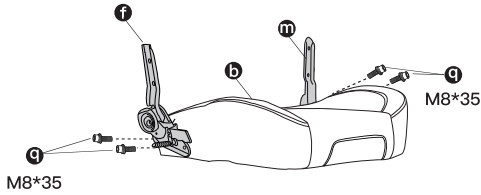
1 Place the base upside down and insert the casters into the bottom of the base.



2 Install gas lift and insert gas lift cover.

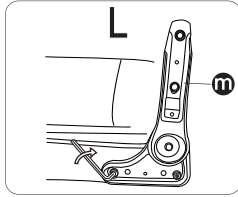
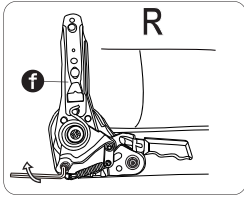


- 3** Align **f** & **m** with the holes of seat, then tighten screws.

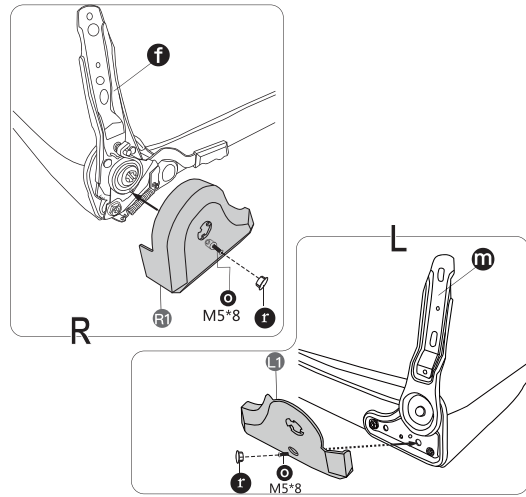


Attention

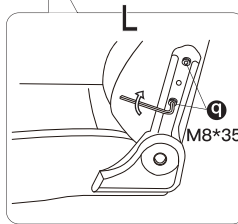
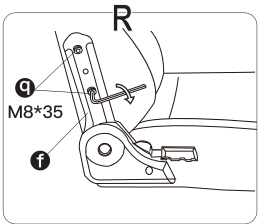
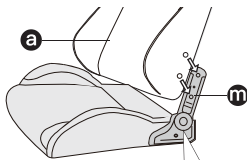
DO NOT tighten screws completely until all the screws are fixed in the correct position.



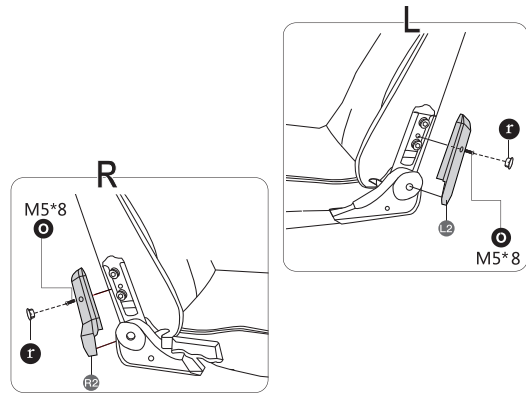
- 4** Put M5*8 screws through the hole of **r1** & **l1** and tighten, then put the caps on.



- 5** Align **f** & **m** with the holes of back, then tighten screws.



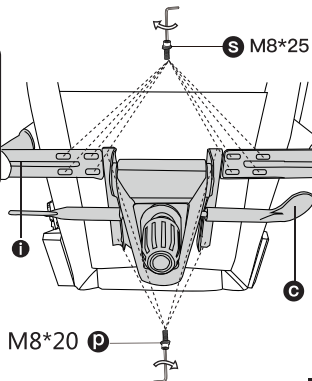
- 6** Install **r2** & **l2** with M5*8 screw, then put the cap on.



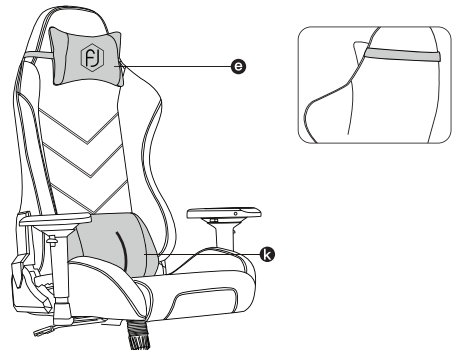
- 7** Install the mechanism and armrests.

Attention

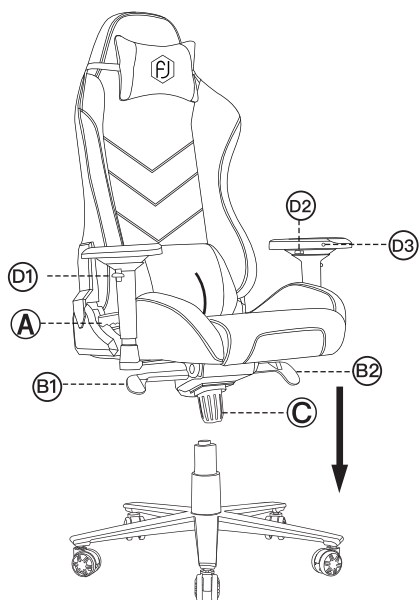
DO NOT tighten screws completely until all the screws are fixed in the correct position.



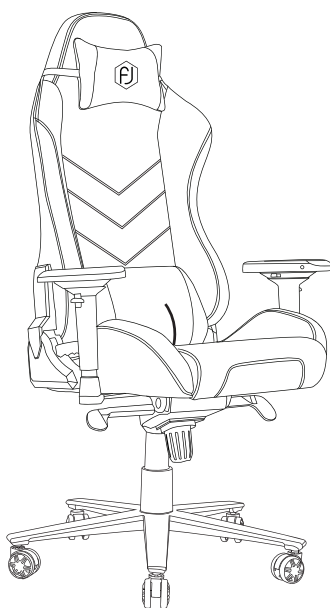
- 8** Attach the headrest & lumbar pillow.



9 Place the seat on the gas lift.



10 Complete.



03 Functions display

A Lift the handle to recline and release it to any desired position. Rest on the backrest when resetting back to its normal position, otherwise the backrest may rebound rapidly.

- B**
- 1 Pull **B1** upward on lever to achieve height adjustment.
 - 2 Flip up **B2** to start the rocking function, turn down to lock the rocking function.

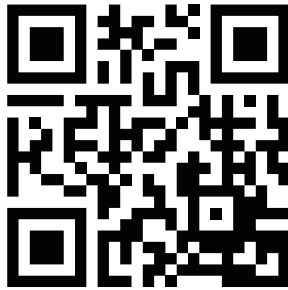
C Adjust the tilt angle with the tilt-tension knob underneath the seat. Turn it clockwise to decrease the angle, counterclockwise to increase the angle.

- Press the button **D1** to adjust the height of the armrest, up to 7.5 cm.
- D** Press the button **D2** to adjust the moving of the left or the right on the armrest. Press the button **D3** to move it forward or backward. Hold the armrest surface and rotate it left or right to adjust the direction of the armrest.

1. Place the base upside down and insert the casters into the bottom of the base.
2. Install gas lift and insert gas lift cover.
3. Align F&M with the holes of seat, then tighten screws. Attention: Do Not tighten screws completely until all the screws are fixed in the correct position.
4. Put M5*8 screw through the hole of R1&L1 and tighten, then put the cap on.
5. Align F&M with the holes of back, then tighten screws.
6. Install R2 & L2 with M5*8 screw, then put the cap on.
7. Install the mechanism and armrests. Attention: DO NOT tighten screws completely until all the screws are fixed in the correct position.
8. Attach the headrest & lumbar pillow.
9. Place the seat on the gas lift.

Functions

- A. Lift the handle to recline and release it to any desired position. Rest on the backrest when resetting back to its normal position, otherwise the backrest may rebound rapidly.
- B. (1) Pull B1 upward on lever to achieve height adjustment. (2) Flip up B2 to start the rocking function, turn down to lock the rocking function.
- C. Adjust the tilt angle with the tilt-tension knob underneath the seat. Turn it clockwise to decrease the angle, counterclockwise to increase the angle.
- D. Press the button D1 to adjust the height of the armrest, up to 7.5 cm. Press the button D2 to adjust the moving of the left or the right on the armrest. Press the button D3 to move it forward or backward. Hold the armrest surface and rotate it left or right to adjust the direction of the armrest.



Scan QR Code

Register your warranty online on our website.