

Ayla™

Where Style meets Ergonomics



Ayla Chair EC005

Meet the Flujo Ayla, where style meets ergonomic chair excellence in Singapore. Designed for professionals, this chair features adjustable settings and breathable mesh, ensuring superior comfort and productivity in any workspace. Experience the ultimate in ergonomic support with a design that's both sophisticated and functional.

- **Superior Airflow with DuPont Mesh:** The chair's DuPont mesh ensures excellent airflow and comfort, keeping you cool and supported throughout the day.
- **Adjustable Lumbar Support:** The built-in Vertebrae Assist System allows you to customize lumbar support to your posture for optimal comfort.
- **Smooth Recline Glide System:** The dual-direction 4-step system makes adjusting the backrest height easy, ensuring optimal spinal alignment for any body size.
- **User-Friendly Adjust Control Panel:** The Adjust Control Panel streamlines seat, lumbar, and height adjustments, eliminating the hassle of traditional mechanical controls.

Headrest:



With

Without



* Terms & Conditions Applied

BIFMA BIFMA
Compliant

DUPONT DuPont
Mesh



Key Features



DuPont Mesh

DuPont mesh, featured in our Ayla Chair, ensures superior airflow and comfort, keeping you cool and supported. This strong, lightweight, and eco-friendly material adheres to premium ergonomic standards for dependable support.



Glide System

Correctly adjusting the seat back is essential to prevent posture-related issues like Kyphosis and Scoliosis, caused by improper support. Our chair features a dual-direction 4-Step system, allowing easy adjustment of the backrest height to fit any body size and ensure optimal spinal alignment.



Vertebrae Assist

Our Ayla ergonomic chair features a built-in Vertebrae Assist System with an adjustable lever, enabling you to customize lumbar support to your posture for optimal comfort.



Adjust Control Panel

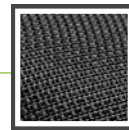
The Ayla Adjust Control Panel streamlined design allows users to adjust the seat, lumbar and height with ease, eliminating cumbersome user experience by forgoing the mechanical controls and spring mechanism which are regularly used in the ergonomic office chair market.



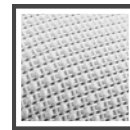
DuPont mesh is renowned for its exceptional durability and innovative design, making it a top choice for ergonomic applications. This high-performance fabric offers superior breathability and moisture management, ensuring a comfortable and cool experience even during prolonged use. Engineered for resilience, DuPont mesh maintains its structural integrity over time, providing consistent support and flexibility. Its application in ergonomic chairs, like the Flujo Ayla, combines advanced technology with user comfort, delivering a sophisticated solution for enhanced productivity and well-being.

Here are 4 key features of DuPont mesh:

- 1. Superior Breathability:** The mesh ensures excellent airflow, keeping you cool and comfortable.
- 2. High Durability:** Engineered for long-lasting use, it withstands wear and tear while maintaining flexibility.
- 3. Moisture Management:** Efficiently wicks away moisture, enhancing comfort during extended periods of use.
- 4. Structural Integrity:** Maintains consistent support and resilience, making it ideal for ergonomic applications.



Black
DP07



Grey
DP10

DuPont Mesh

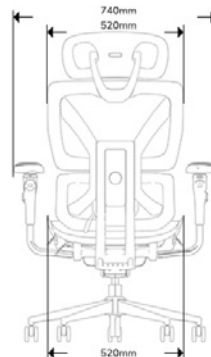
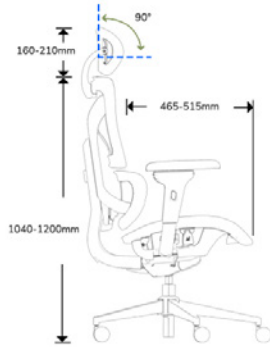
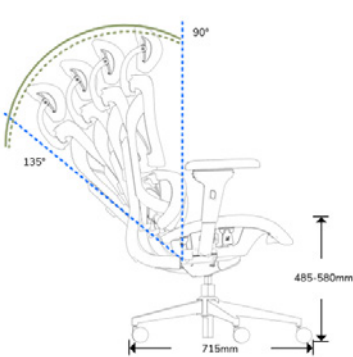
DuPont mesh is a cutting-edge fabric known for its superior breathability and durability, making it ideal for ergonomic applications. Engineered for resilience, this innovative material ensures long-lasting comfort and support, enhancing productivity and well-being.





Ayla

The Future of Ergonomic Seating



Ayla Chair Adjustment Specifications

- Synchro Tilt: 95° ~ 135°
- Seat Height: 485 ~ 580mm
- Leg Frame Length: 715mm
- Without Headrest Height: 1040 ~ 1200mm
- Headrest Height: 160 ~ 210mm
- Headrest Adjustment: 90°
- Seat Depth Adjustment: 465 ~ 515mm

- Load Bearing: ≤125KG (271lbs)
- Recommended Height: 155cm-190cm
- Backrest: 525mm(W)*690mm(H)
- Seat Pan: 465mm(L)*520mm(W)



Front



Left

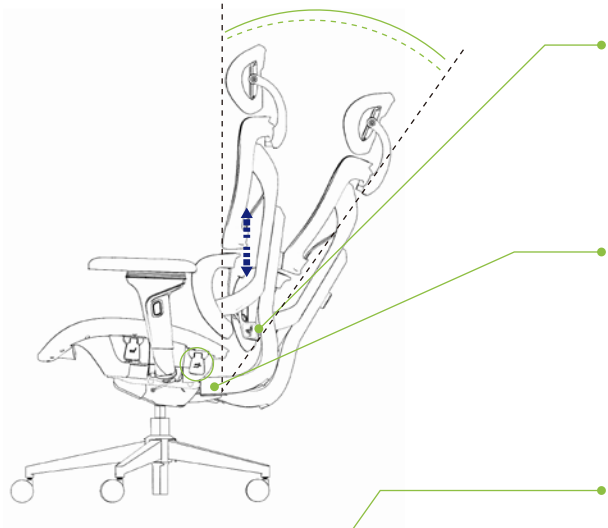


Back



Right

How to Perfectly Adjust Your Ayla Ergonomic Chair for Maximum Comfort

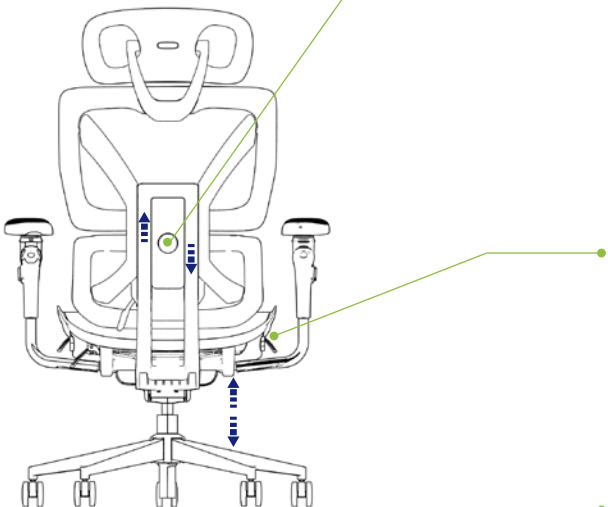


Vertebrae Assist

- **2 Level Adjustable:** The Vertebrae Assist feature offers a two-level adjustment, allowing you to tailor the backrest support to your desired comfort.
- **Easy Adjustment:** Simply hold the mechanism upward, adjust the backrest to the desired angle, and release it to lock into place.

Backrest Adjustment

- **Four Angle Options:** The backrest can be adjusted to four different angles, providing customized support for various sitting positions.
- **Simple Operation:** Push the backrest upward to unlock and adjust, then push it downward to lock into your preferred position.

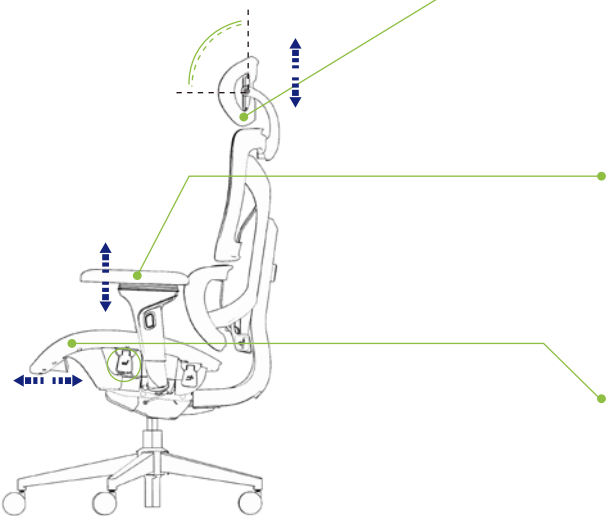


Backrest Height Adjustment

- **Precise Control:** By default, the control button is locked. Press the circular control button on the backrest lightly until you hear a "click" sound, indicating the button protrudes.
- **Effortless Adjustment:** Adjust the backrest height to the desired position and release the button. Press the circular control button again until you hear a "click" sound, indicating the button sinks, locking the backrest height in place.

Seat Height Adjustment

- **Raising:** Stand up and lift the control lever located on the right side of the chair upward to raise the seat to the desired height. After releasing the control lever, the chair will be fixed at the adjusted height.
- **Lowering:** Sit on the chair and lift the control lever located on the right side of the chair upward to initiate the descent. Release the control lever when the desired height is reached, and the chair will be fixed in place.



Headrest Adjustment

- **Stretch Range 60mm:** The headrest can be adjusted within a 60mm range, providing customizable support for your head and neck.
- **Rotation 35°:** The headrest can rotate up to 35 degrees, allowing for precise positioning to match your ergonomic needs.

MegArmRest Adjustment

- **Up-Down:** The armrests can be adjusted vertically to accommodate different arm lengths and sitting positions.
- **Forward-Backward:** The armrests can move forward and backward to provide optimal support for various tasks.
- **Rotation 30°:** The armrests can rotate 30 degrees, enhancing flexibility and comfort for your arms and wrists.

Seat Depth Adjustment

- **Customizable Depth:** Lift the control lever located on the left side of the chair upward to adjust the seat depth in three positions.
- **Secure Adjustment:** Once the desired position is reached, release the control lever to secure the adjustment, ensuring personalized comfort and support.

