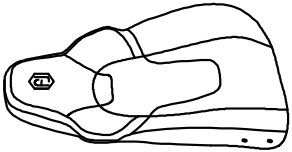

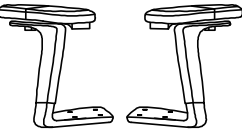
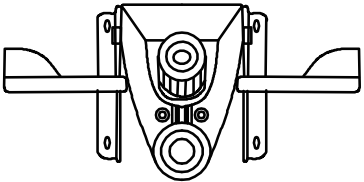
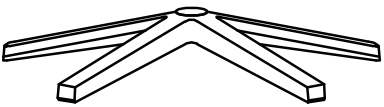
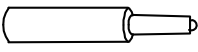

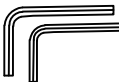
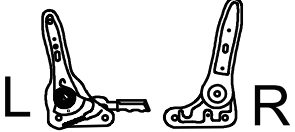
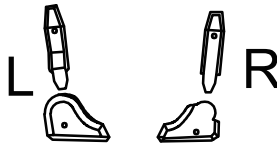


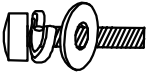





ASSEMBLY INSTRUCTIONS

PART		QTY.
A		1
B		1
C		2
D		1
E		1

PART		QTY.
F		1
G		1
H		2
I		2
J		2
K		5

PART		QTY.
O	 M5*8	4
Q	 M8*35	8
P	 M8*20	4
R	 CAP	4
S	 M8*25	8

