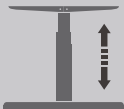
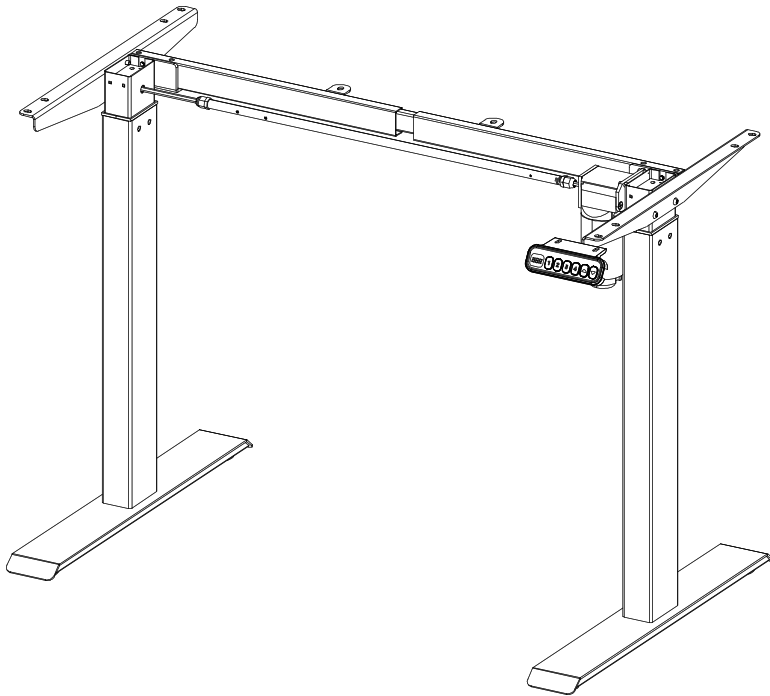




www.flujostore.com

Flujo Smart Trax Single Motor Ergonomic Desk System

User Manual

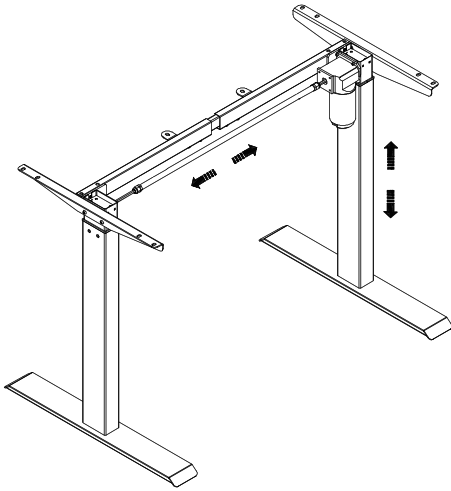


min 720mm
max 1220mm



80kg(176lbs)

Specification








Input Voltage: 100 ~ 240VAC 50/60Hz
 Output Voltage: 32V DC max
 Maximum load: 80 kg
 Lift speed: 20mm/s
 Height adjustable range: 720mm ~ 1220mm
 Desk frame range: 900mm-1350mm
 Duty Cycle: 10% (max 2 min on, 18 min off)
 Operate temperature: 10 ~ 40°C

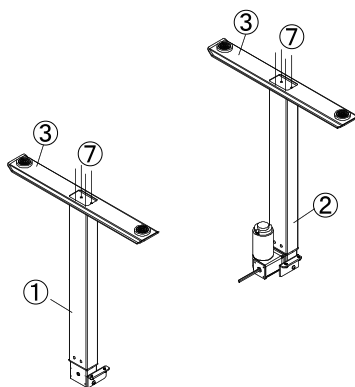
Packing List

No.	Component	Qty	No.	Component	Qty	No.	Component	Qty
①		1	⑨	S5	1	⑰	M6 x 16	4
②		1	⑩	S4	1	⑱	ST5 x 16	2
③		2	⑪	S6	1	⑲	ST4 x 12	2
④		1	⑫	S2	1	⑳		4
⑤		1	⑬	M6 x 8	8			
⑥		2	⑭		1			
⑦	M6 x 20	8	⑮		1			
⑧		1	⑯		1			



Note: These figures are for reference and may be different from actual products. If there are any missing or installation issues, please contact customer service.

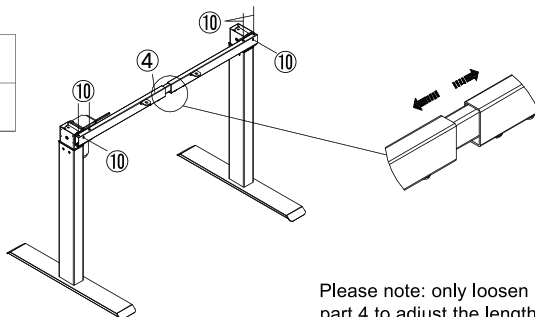
Step 1

⑨	S5		1
①			1
②			1
③			2
⑦	M6 x 20		8






Step 2

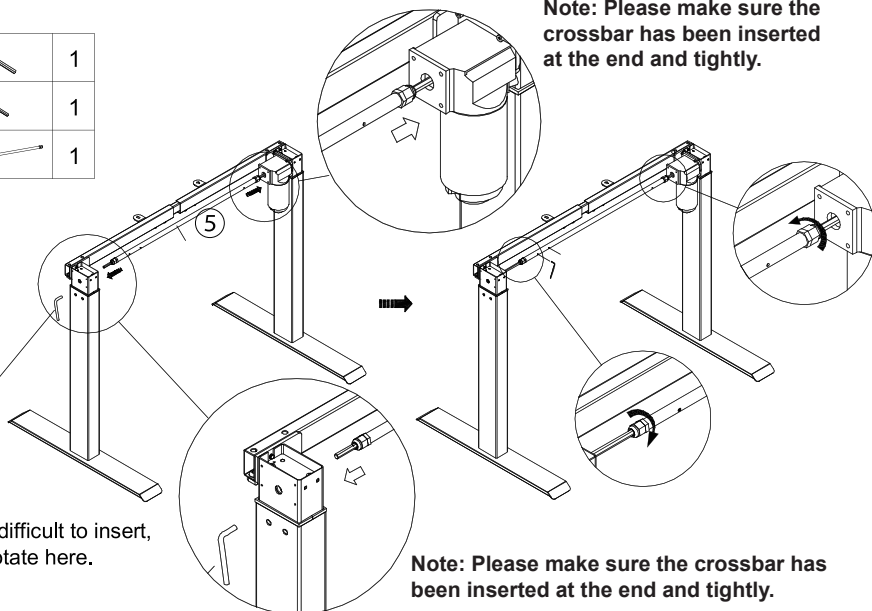
⑩	S4		1
④			1



Please note: only loosen locking screws a little for the part 4 to adjust the length. Do not unscrew the screw, otherwise the square nut for internal fixation will fall off and need to be reinstalled.

Step 3

⑪	S6		1
⑫	S2		1
⑤			1

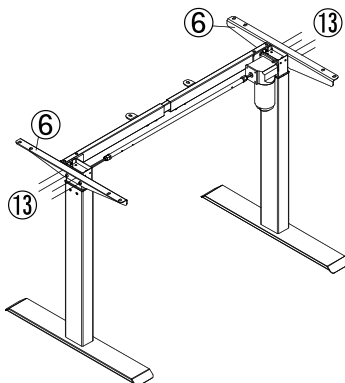


Note: If it is difficult to insert, use ⑪ to rotate here.

Note: Please make sure the crossbar has been inserted at the end and tightly.

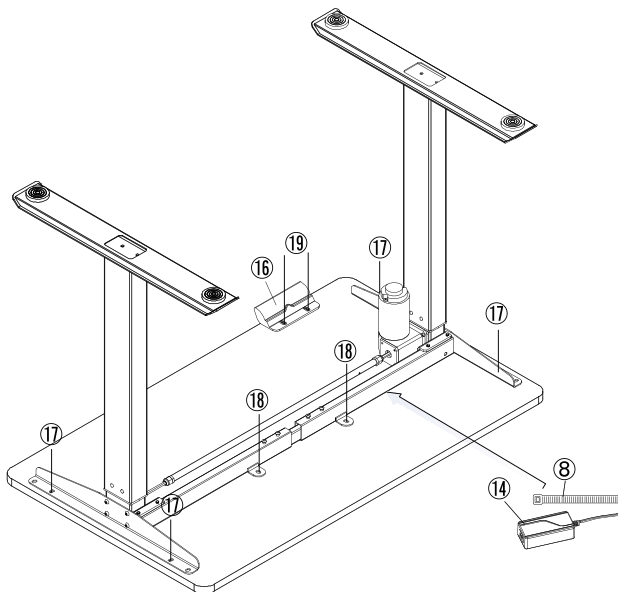
Step 4

⑩	S4	1
⑬	M6 x 8	8
⑥		2



Step 5

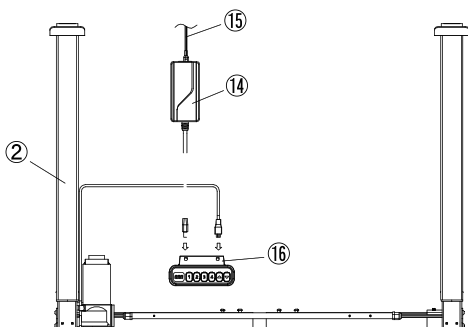
⑩	S4	1
⑯		1
⑰	M6 x 16	4
⑭		1
⑱	ST5 x 16	2
⑲	ST4 x 12	2
⑧		1



Step 6

②		1
⑯		1
⑭		1
⑮		1

Connection diagram :



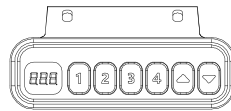
Instruction:

1. Important: for the first time use, it must be reset. Press the "▽" key for 3 seconds, loosen it until it shows rST (reset) , the desk runs to the bottom and rebounds to certain height, reset finishes and shows lowest position height.
2. Important: if the desk is not functioning properly, you may unplug the power cord for 20 seconds and plug it, and then take the reset operation if need. During reset, the desk top may be not level. So before reset, make sure there is nothing on the table top. It is better to press DOWN key to a low position and then reset.
3. For detailed operation and setup, please refer to the Controlling System Manual.

Cautions:

1. Product use according to the technical parameters.
2. Do not expose to sunlight or use in high temperature environment, for indoor use only.
3. Pls keep away from corrosive gas and dusty environment, and also keep all electrical components away from liquids.
4. Non-professionals are not allowed to disassemble this product to prevent electric hazards.
5. Keep children away from electric height-adjustable desks, control units and handsets. There is a risk of injury and electric shock.
6. Do not sit or stand on the desk frame. Do not crawl or lie under the desk frame.
7. Do not place any objects taller than 500mm underneath the desk.
8. Make sure your operating without hazard, for example, don't throw your tools anywhere. And always be careful with packing materials, to avoid all possible dangers, if children play with plastic bag, posing a risk of strangulation.
9. Please keep the original packaging of the equipment if necessary, to be used for future transportation.

Operating Instructions of Hand Controller



Instructions for the use of the hand controller

1. Initial power-up of the product:

When the controller is connected to the power supply according to the instructions on the controller nameplate, the buzzer will sound twice and the software version number will be displayed for 1 second, followed by the current height. If the height value displayed by the hand controller does not correspond to the actual height of the column, or if the height of the column has changed after reassembly, the reset operation is required. Otherwise, it can be used directly according to the factory preset.

2. Reset operation :

(1) Reset operation when the minimum limit is not set

When the lifting column runs to the lowest position and the display shows BOT (indicating the lowest position), release the key, then press and hold the down "▽" key for 5 seconds without releasing, at this time the system enters the reset mode and the display shows RST. (In the process of reset, if you encounter an unexpected situation, you can always release the down "▽" key to stop the table from running. Press and hold the down "▽" key again to continue the reset.) Wait for the buzzer to sound a "beep", indicating that the reset operation is complete, at this time the hand controller shows the lowest height of the table.

(2) Reset operation when the minimum limit has been set

When the table has been set to the lowest limit, and the lifting column runs to the limit position, then press and hold the down "▽" key for 5 seconds without releasing, then the system will enter the reset mode and the display will show RST. (When the reset process encounters unexpected situation, you can always release the down "▽" key, the table stops running. Press the down "▽" key again to continue the reset). Wait for the buzzer to sound a "beep", indicating that the reset operation is complete, at this time the hand controller shows the lowest height of the table.

(3) Reset operation in case of abnormal operation of the hand controller

When the hand controller is abnormal, ERX will be displayed, then press and hold the DOWN " ▽" key for 5 seconds without releasing, the system will enter the reset mode and the display will show RST. (In case of unexpected situation during the reset process, you can release the " ▽" key at any time and the table will stop running. (Press the down " ▽" key again to continue the reset.) When the buzzer sounds a beep, the reset is complete and the hand controller displays the minimum height of the table (default: 72.0). Note: After the reset operation is completed, all parameters are initialized to the factory default values.

3. Upward running operations : Press and hold the " △" button on the hand controller to raise the table release the button to stop.

4. Downward running operation : Press and hold the " ▽" button of the hand controller to lower the table, and release the button to stop.

5. Memory position operation :

When the column is stopped, press and hold any of the combination keys "1" 、 "2"、 "3"、 "4" for more than 5 seconds, then the current height position of the column will be saved to the corresponding key. The hand controller includes "1", "2", "3", "4", 4 memory height keys, press any of the keys, the standing desk shows the height for 1 second, and at the same time run to the corresponding position.

6. Menu option operation

In the user mode and stop state, press "△" and "▽" at the same time for 5 seconds to enter the menu page. Short press the "△" and "▽" keys to switch the menu, the switching sequence is as follows:

P00->P01->P02->P04->P05->P06

Under the menu page: Press the "1" key briefly to enter this setting page. Short press the "△" and "▽" toys to modify the parameters under the corresponding menu.

On the setting page, the parameters are displayed with a flashing light. Press the "1" button briefly to confirm the setting and return to the menu page.

No operation timeout of 5 seconds automatically exits the menu mode and sets and saves the confirmed modified parameters.

Energy saving mode :

If there is no key operation within 30 seconds, the controller enters the energy saving mode, when the hand control display turns off and the controller enters the energy saving mode, press any key to exit the energy saving mode. In the energy saving mode, the key movement command is not effective. 8. Thermal protection For better protection of the motor, the system will enter thermal protection mode after a total of 4 meters of running in 18 minutes. Thermal protection needs to be detected in the shutdown state and the display shows HOT, at which time the other functions of the hand controller are switched off and the keys are not available. The hand controller will automatically exit the thermal protection mode after 18 minutes or after a power failure and restart.

Child lock:

Press and hold " △", "▽" and "1" keys at the same time for 5 seconds, when the hand control displays "LOC", it means the system has been locked and cannot be lifted; in the locked state, press and hold " △", "▽" and "1" keys at the same time for 5 seconds, when the hand control display changes from "LOC" to normal digital display it means the system has been unlocked.



Scan QR Code

Scan the QR code for more information