

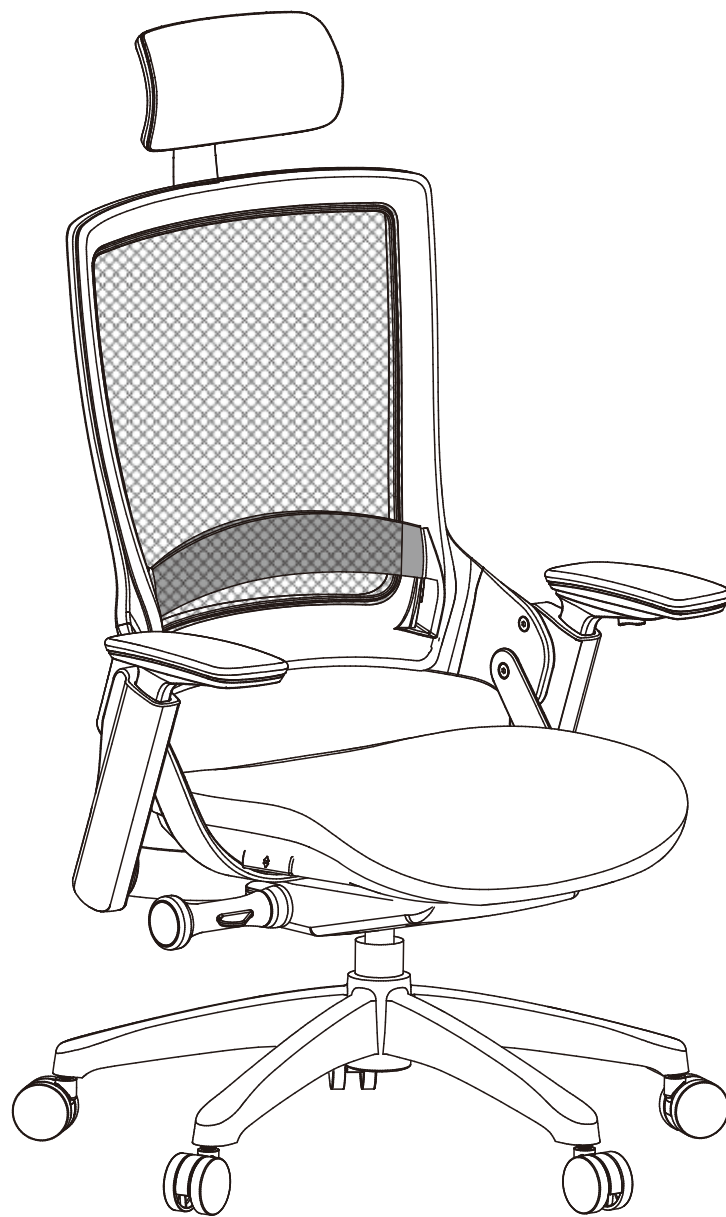
Scan QR Code

Register your warranty online on our website.






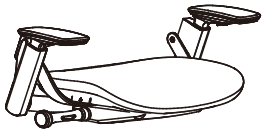

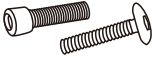
Flujo Ángulo

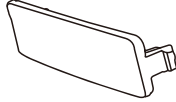
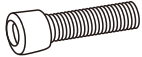

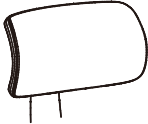

Ergonomic Executive Chair

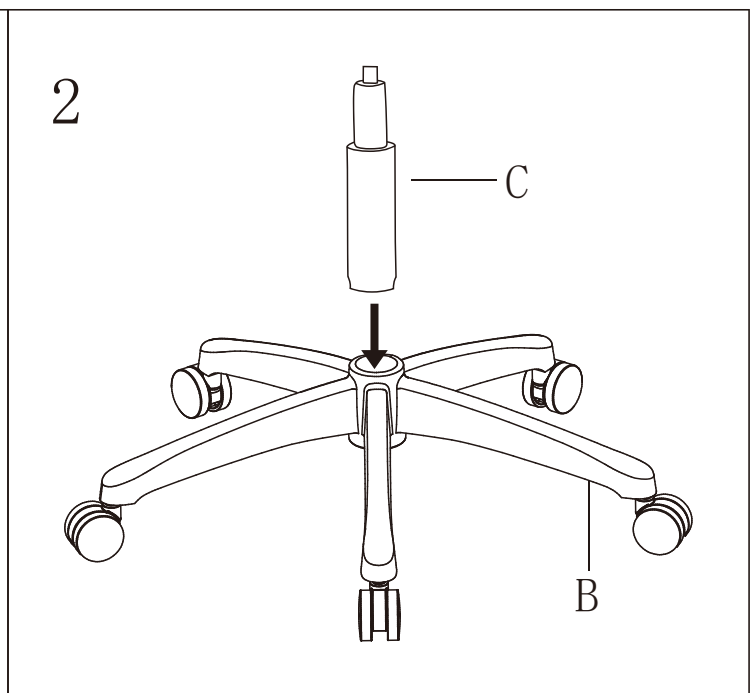
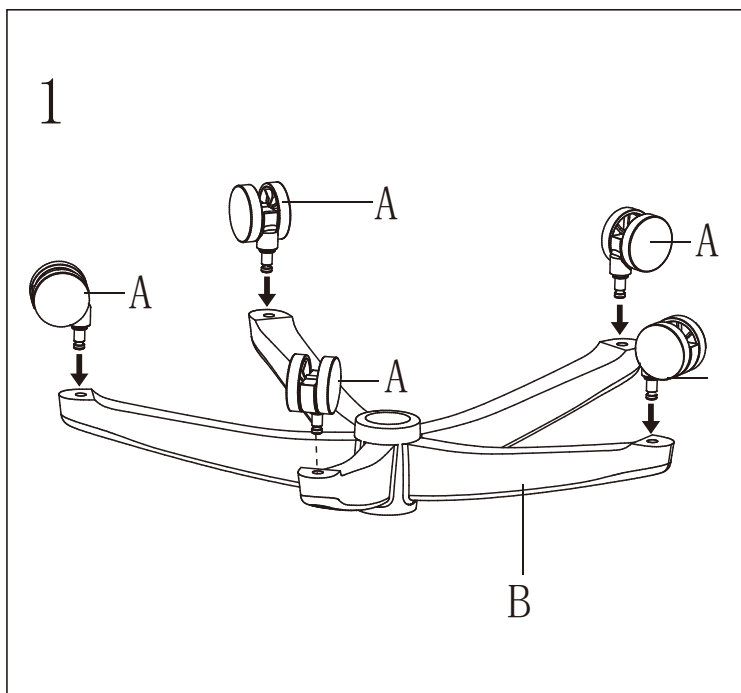


www.flujotech.com

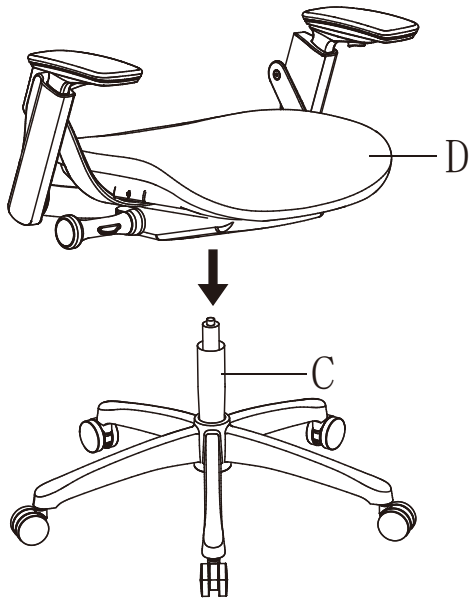
ASSEMBLY INSTRUCTIONS

PART		QTY.
A		5
B		1
C		1
D		1
E		1
SPARE		2

PART		QTY.
F		1
G	 M6*20MM	2
G1	 M6*25MM	1
H		1
L		1

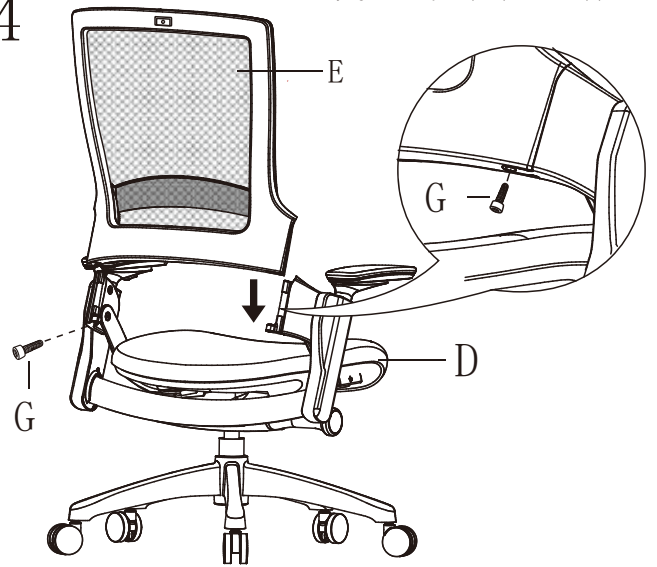


3

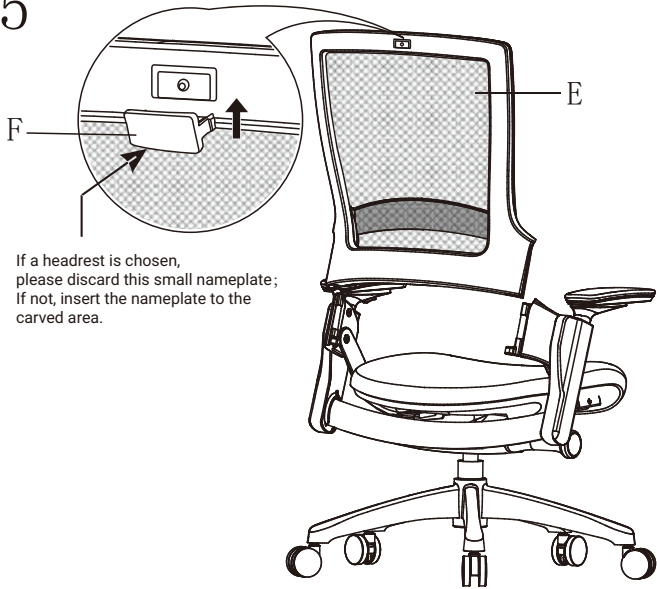


4

Push down the back(E) fully to the seat(D), then fully tighten two parts(E&D) with bolts(G).

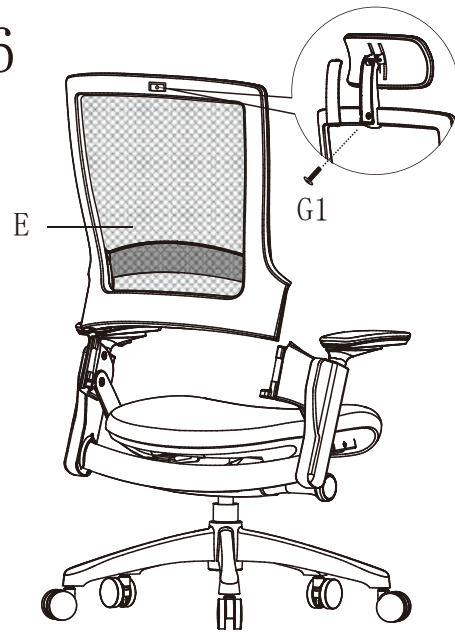


5



If a headrest is chosen, please discard this small nameplate; If not, insert the nameplate to the carved area.

6



7

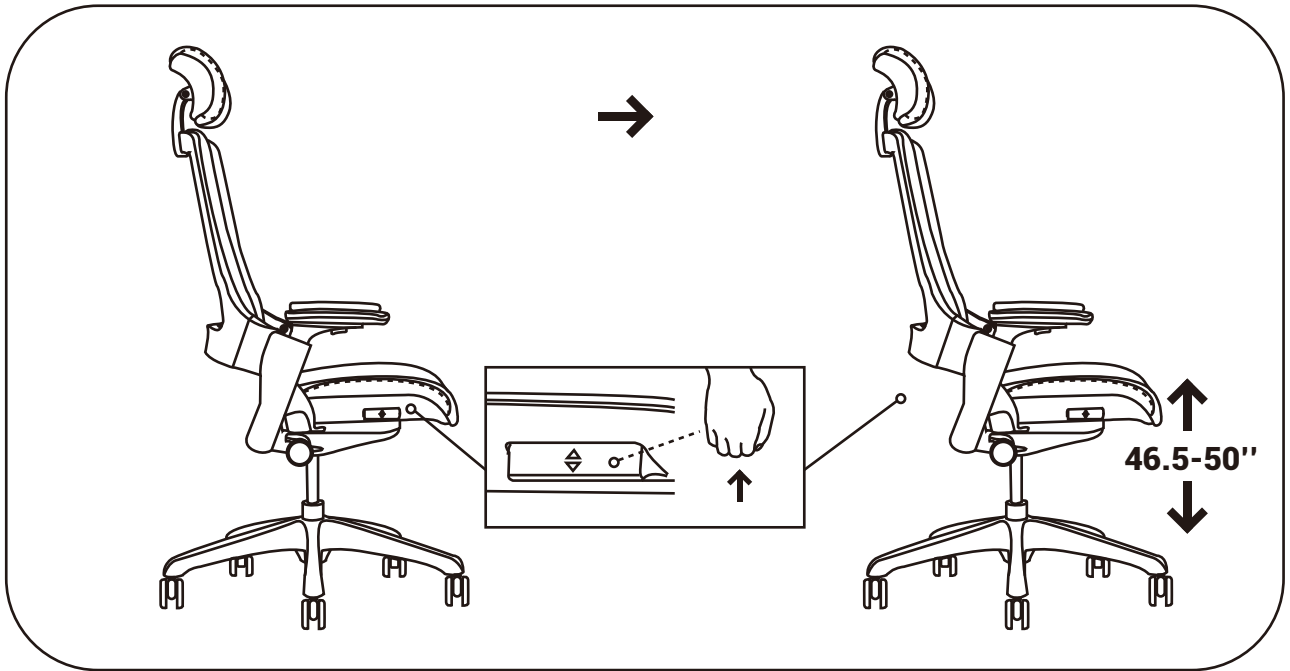


Without headrest



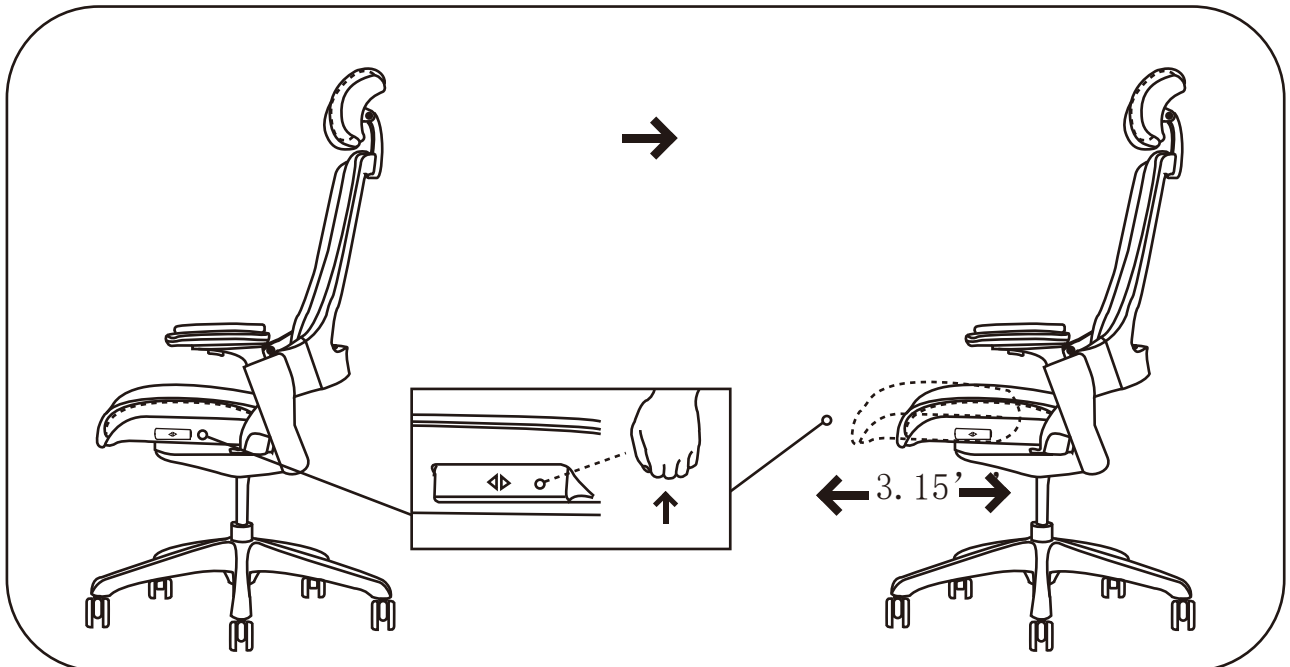
With headrest

USER INSTRUCTIONS



Seat Height

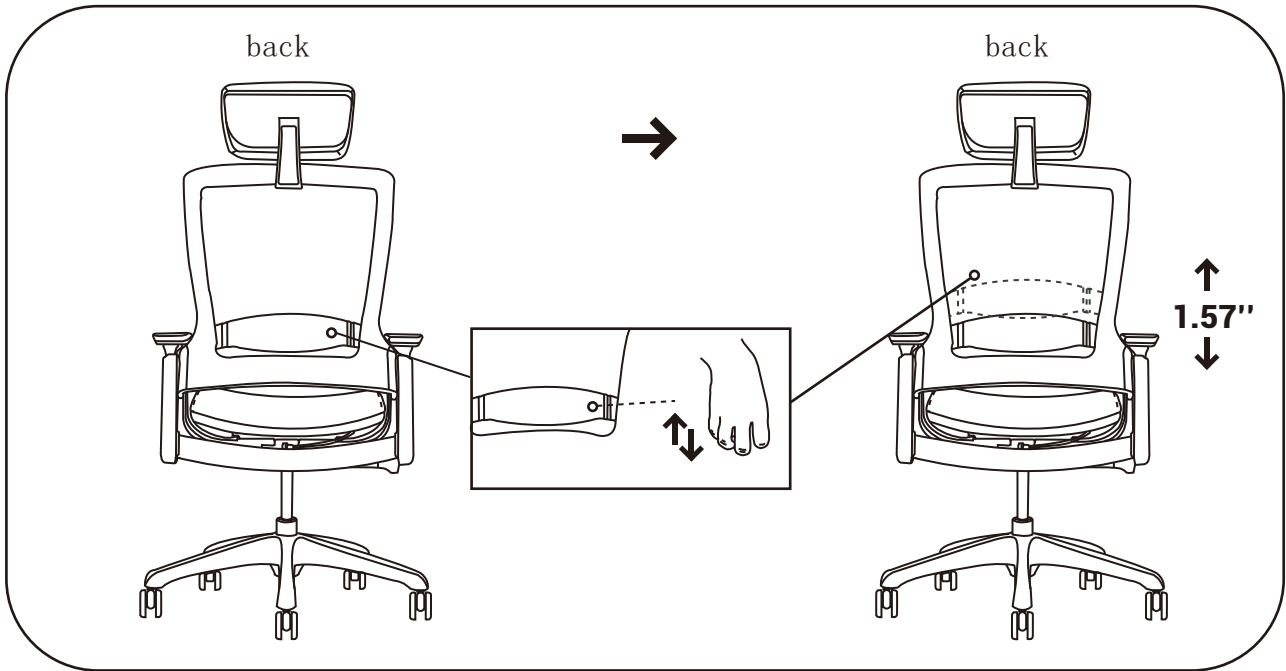
Pull up the right side button of the seat to adjust the seat height.



Seat Depth

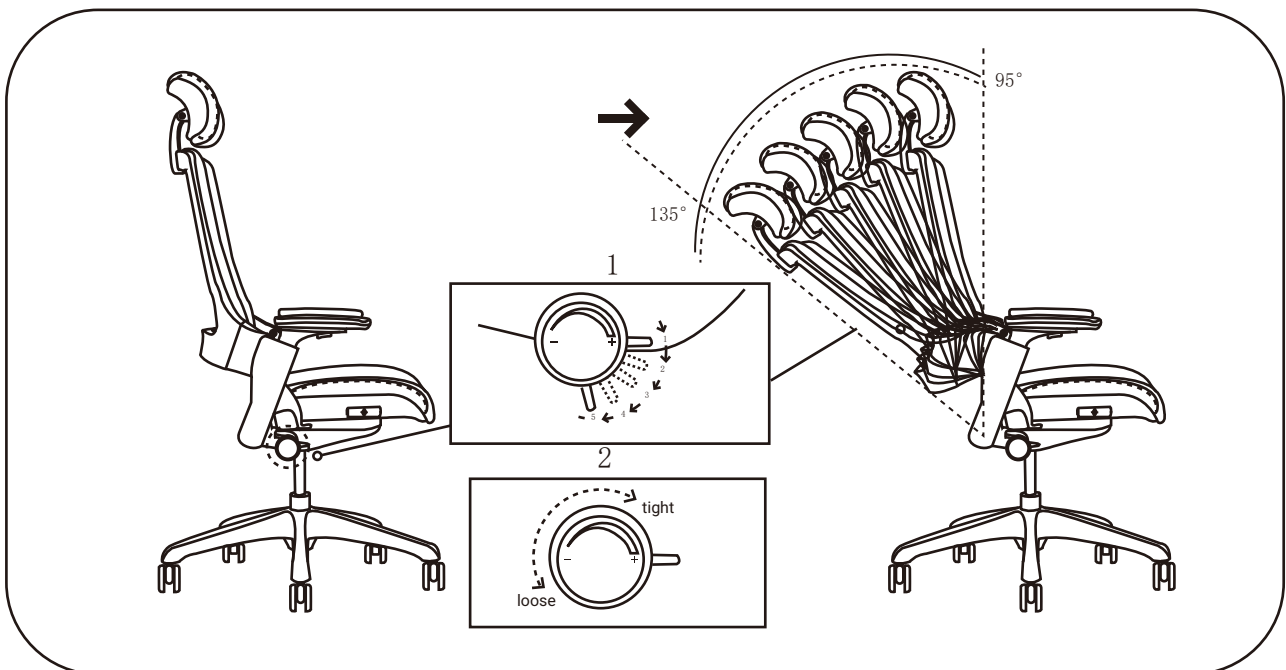
Pull up the left side button of the seat to adjust the seat depth.

USER INSTRUCTIONS



Lumbar Support

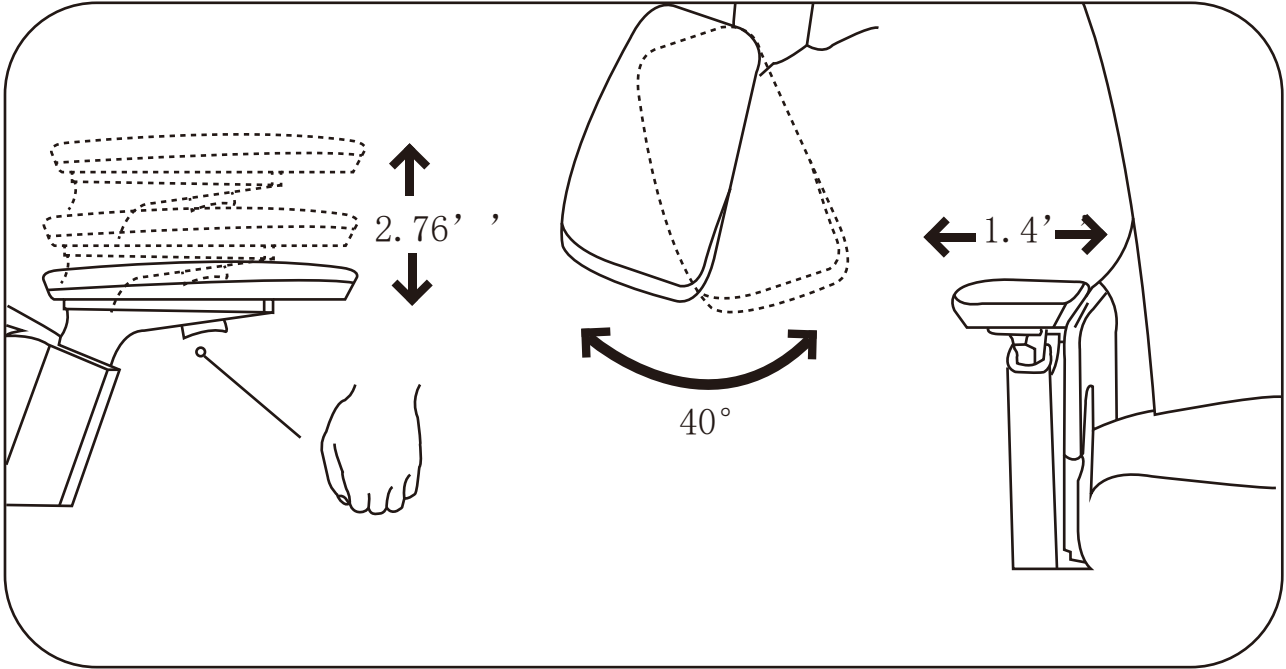
Move the lumbar support behind the backrest to adjust the lumbar support position.



Backrest

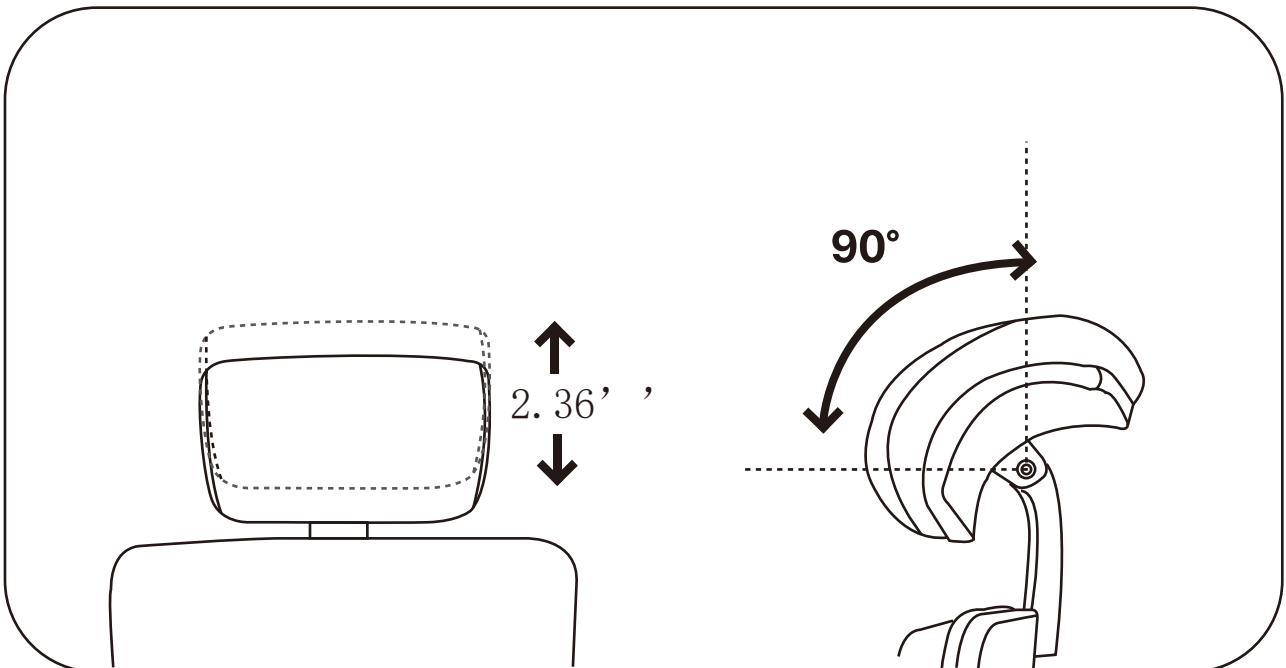
Adjust the tilt angle by flipping the paddle. (ref. to 1)
Adjust the tilt tension by rotating the knob. (ref. to 2)

USER INSTRUCTIONS



Armrest

The armrest can be adjusted in 3 different dimensions.



Additional Headrest (it needs to be purchased separately)

The height and tilt angle of the headrest can be adjusted.