

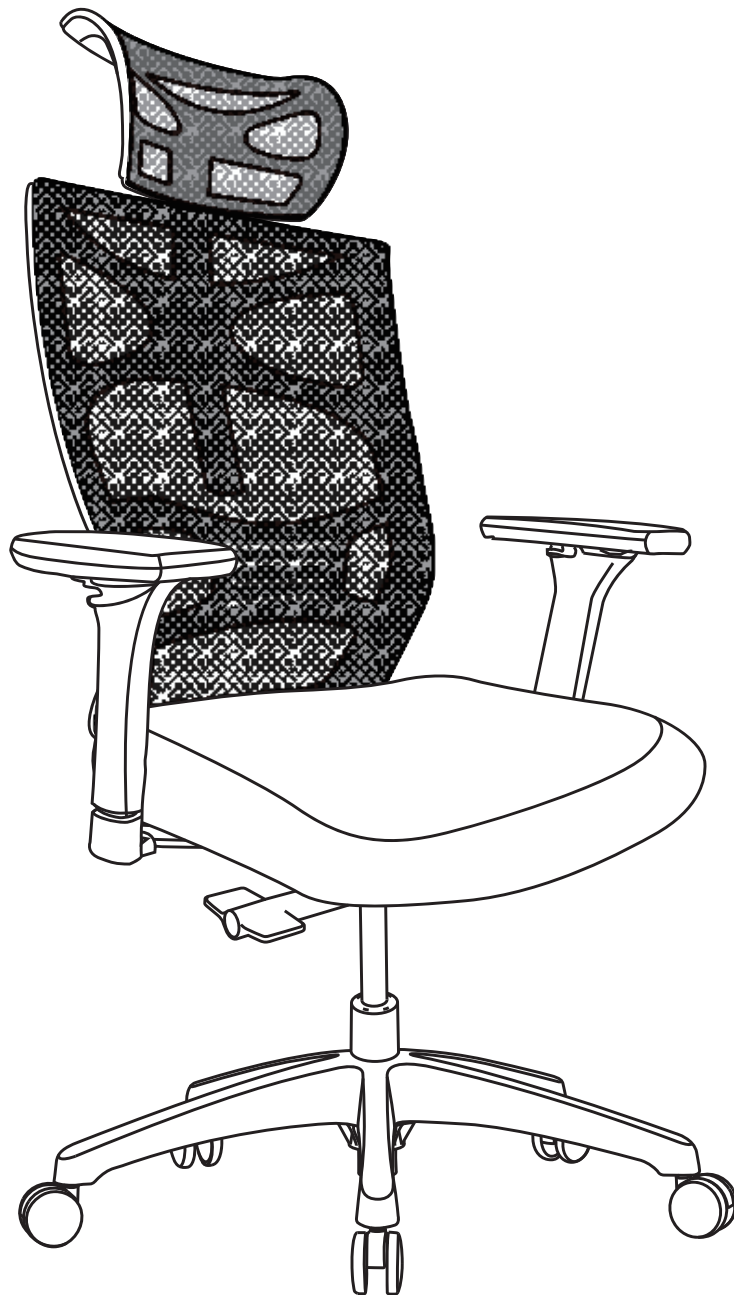
Scan QR Code

Register your warranty online on our website.




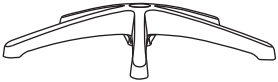



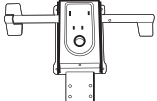
Flujo Vertical Series 2




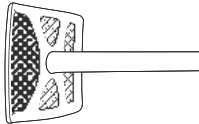
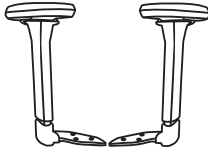

Ergonomic Executive Chair

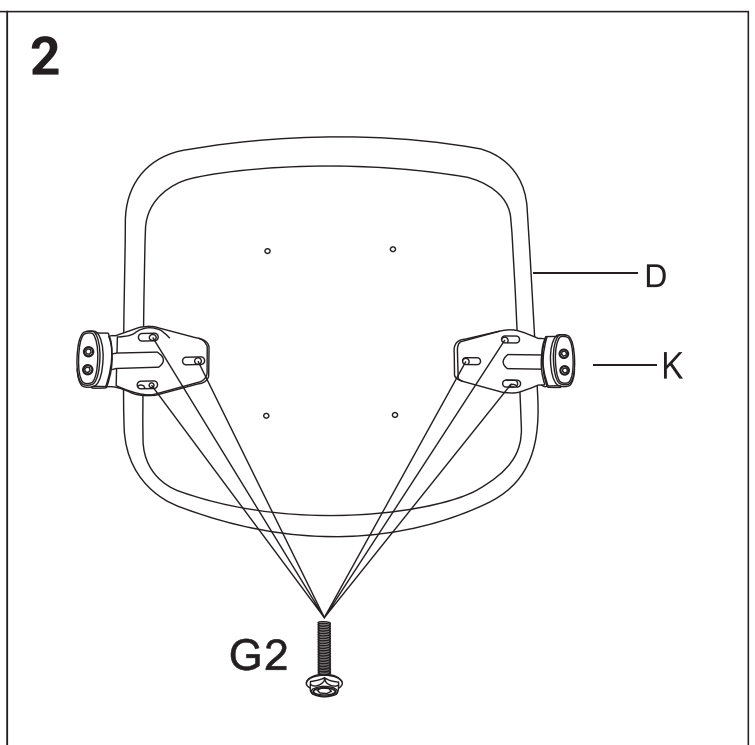
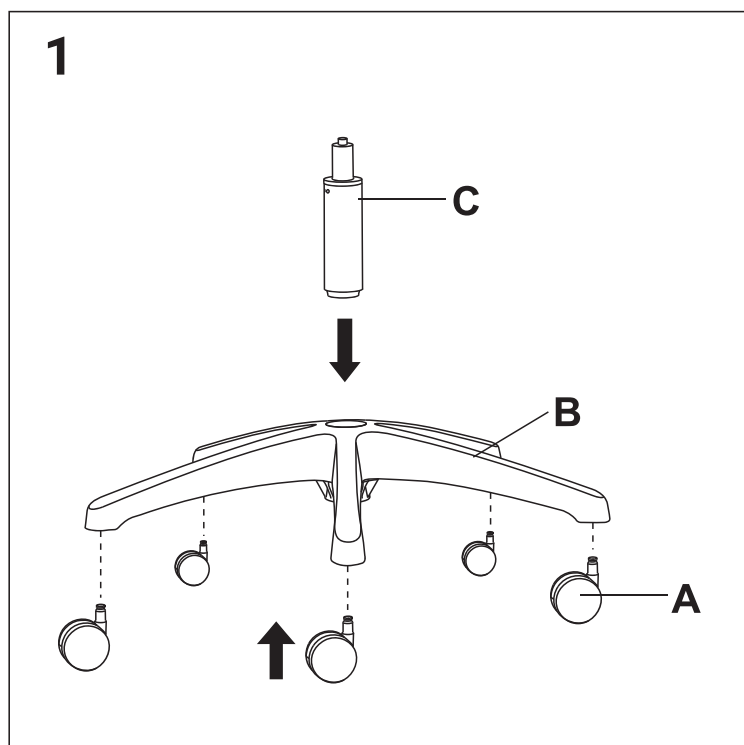


www.flujotech.com

ASSEMBLY INSTRUCTIONS

PART		QTY.
A		5
B		1
C		1
D		1
E		1
F		1

PART		QTY.
G	 M8*20MM	4
G1	 M8*12MM	4
G2	 M6*30MM	6
H		1
K		2
L		1



ASSEMBLY INSTRUCTIONS

