



Scan QR Code

Register your warranty online on our website.




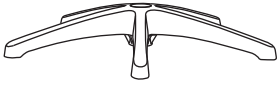

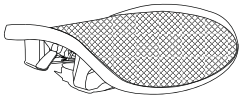
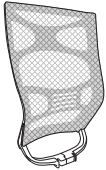
Flujo Vertical Series 1

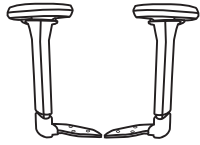
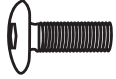

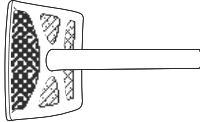

Ergonomic Executive Chair

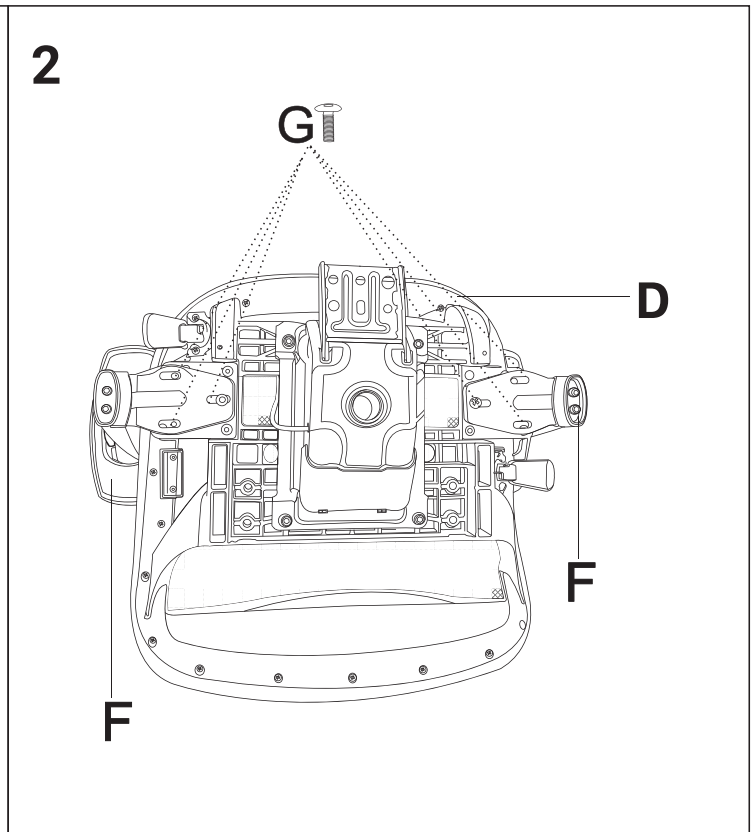
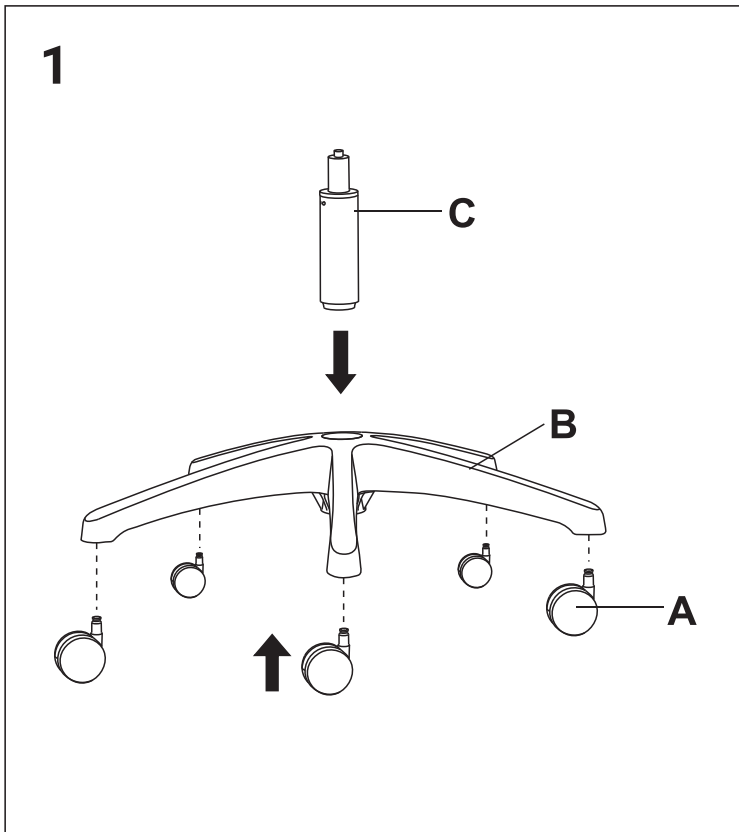


www.flujotech.com

ASSEMBLY INSTRUCTIONS

PART		QTY.
A		5
B		1
C		1
D		1
E		1

PART		QTY.
F		1
G	 M6*16MM	6
G1	 M8*14MM	4
H		1
L		1



ASSEMBLY INSTRUCTIONS

