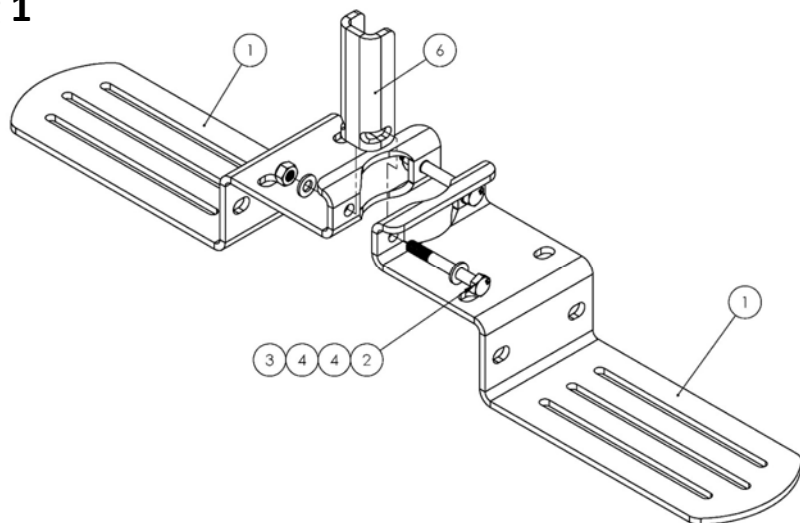
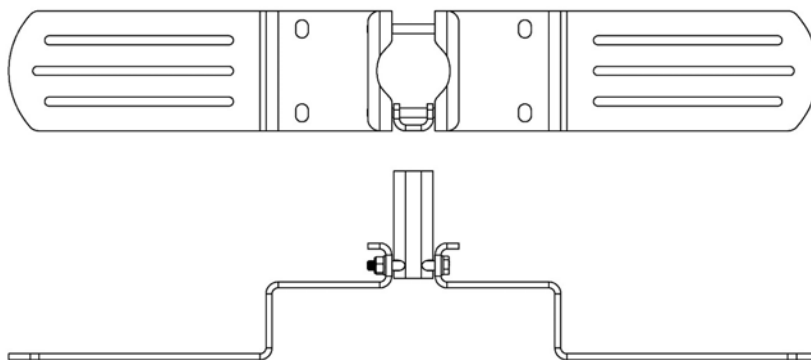


Fig 1

1. RotoPax Bracket (2)
2. Bolt M10x80mm or 3/8 x 3 (2)
3. Nylon Locking Nut (2)
4. Flat Washer (4)
6. Anti-Rotation Bracket

Fig 2**Mounting Instructions:**

1. The WILCO Dual RotoPax Bracket installs to the upper tube on the tire mount swingarm.
2. Verify you have all the brackets and hardware as shown in Fig 1.
3. Install the Dual RotoPax brackets to your Wilco Tire Carrier Swing Arm as shown in Fig 3 Do not tighten.
4. Install the Anti Rotation Bracket on top of the Swingarm between the two RotoPax brackets. As shown in Fig 3.
5. Verify everything is aligned and level then tighten the hardware bolts to secure the RotoPax brackets to the Wilco Tire Carrier Swingarm.

Fig 3