

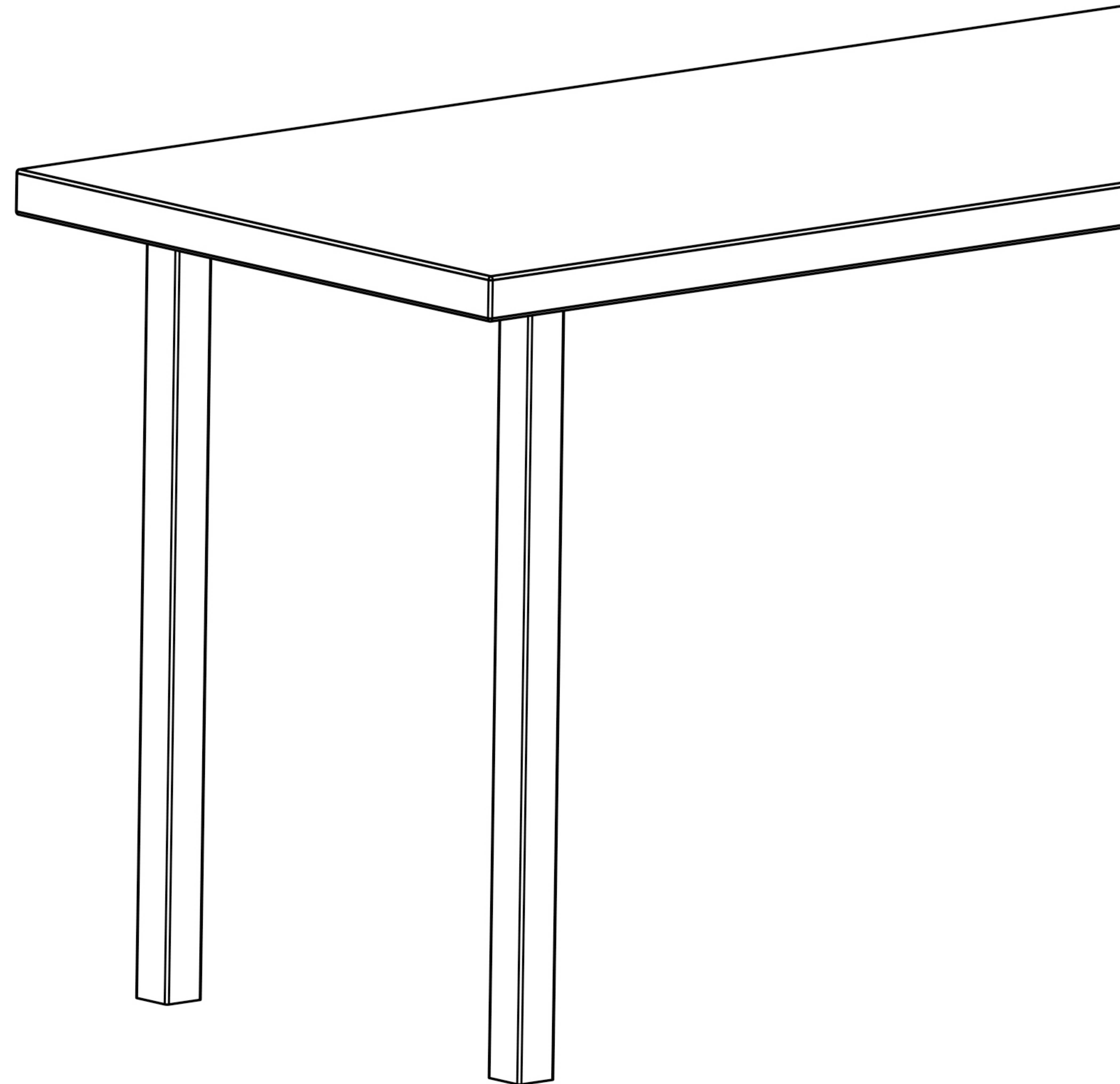
HAWORTH

Elements Skinny Leg Table

Assembly Instructions

Questions or comments?

Contact us at **877-429-6784 ext. 1.**



HAWORTH

The Elements Skinny Leg Table

How to assemble your table.

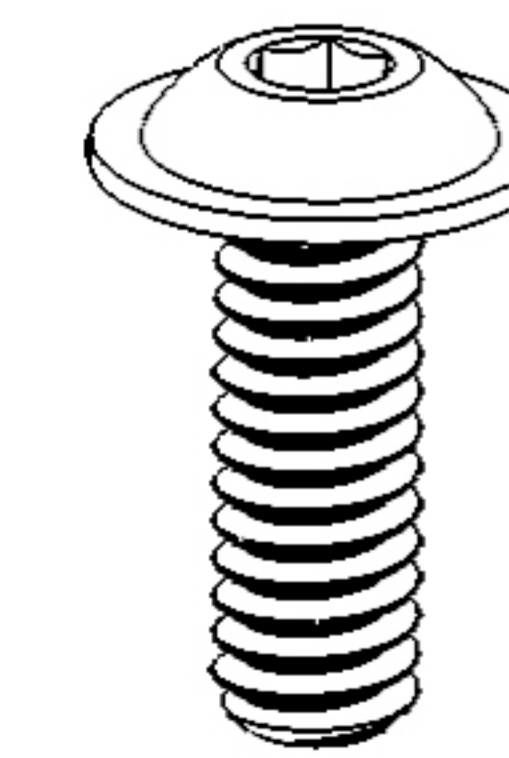
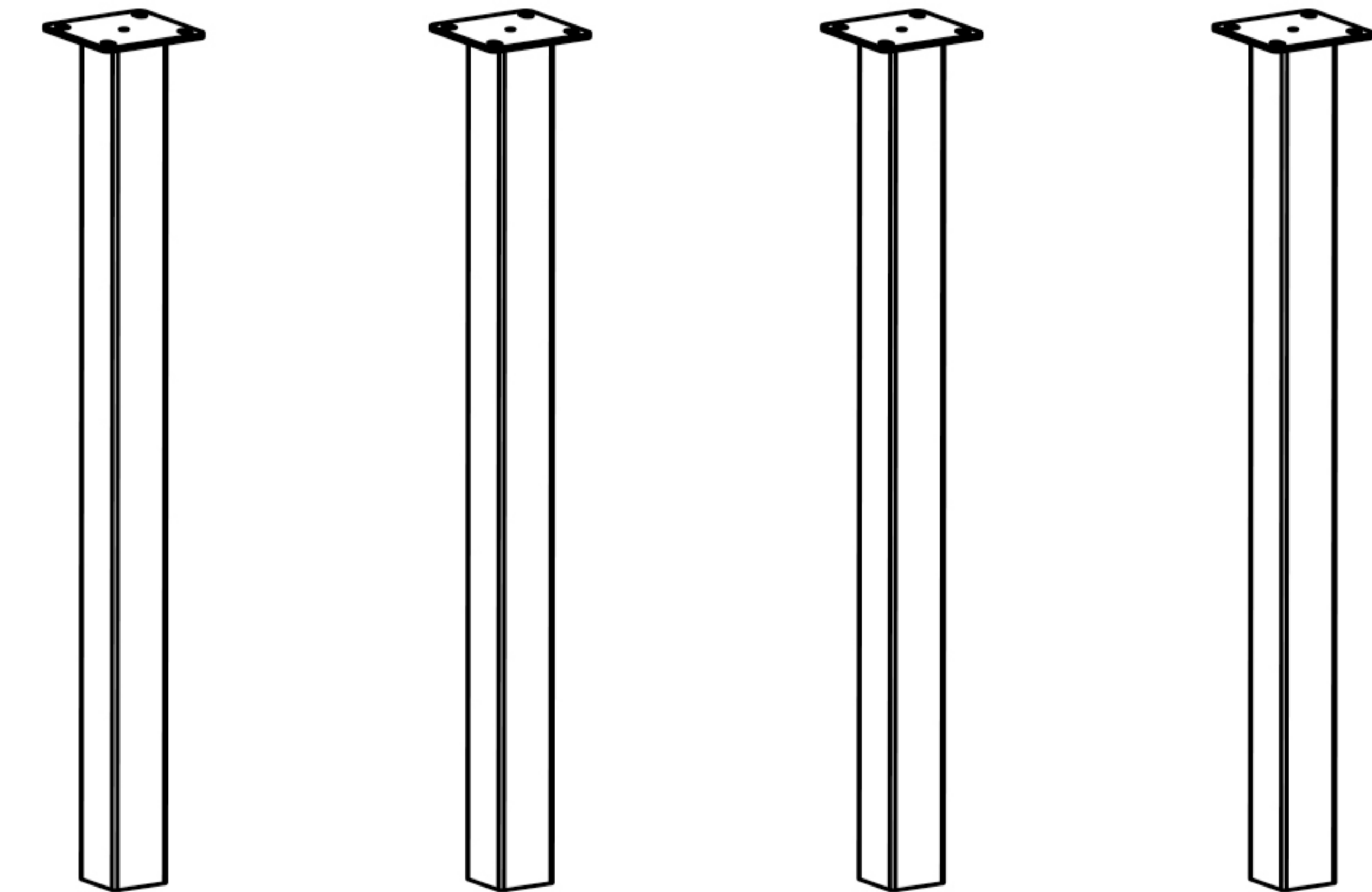
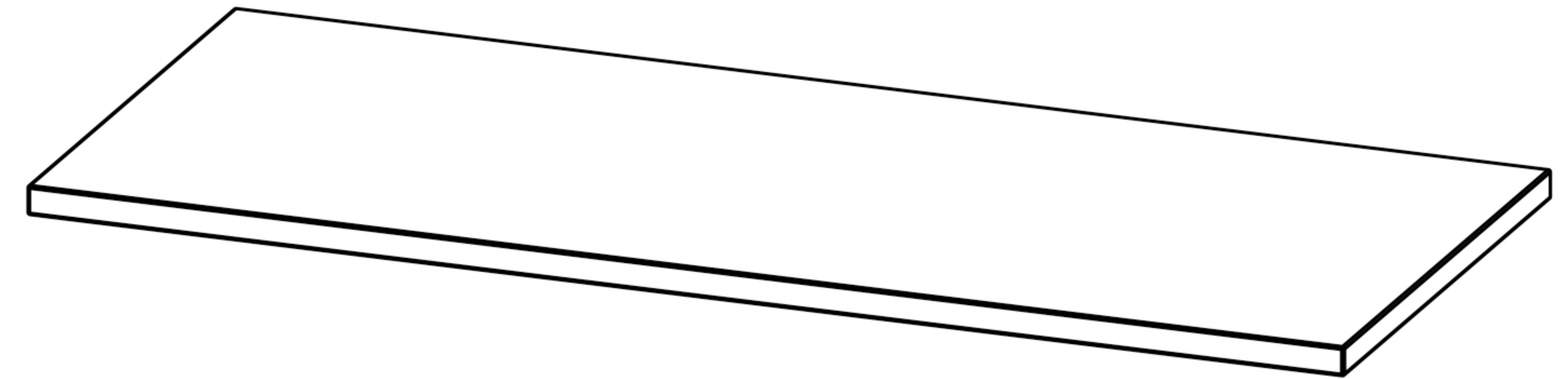
Care Instructions

- Dust with a clean, soft, lint free cloth
- Wipe liquid spills off surface with a clean cloth immediately
- We do not recommend the use of chemical cleansers, abrasives, or furniture polish on our finish

Safety Instructions & Warnings

- Read all instructions before using products
- Failure to fully tighten screws may cause injuries
- Sitting/standing on product may cause risk or personal injury
- Periodically check fasteners to ensure tightness

Parts Required

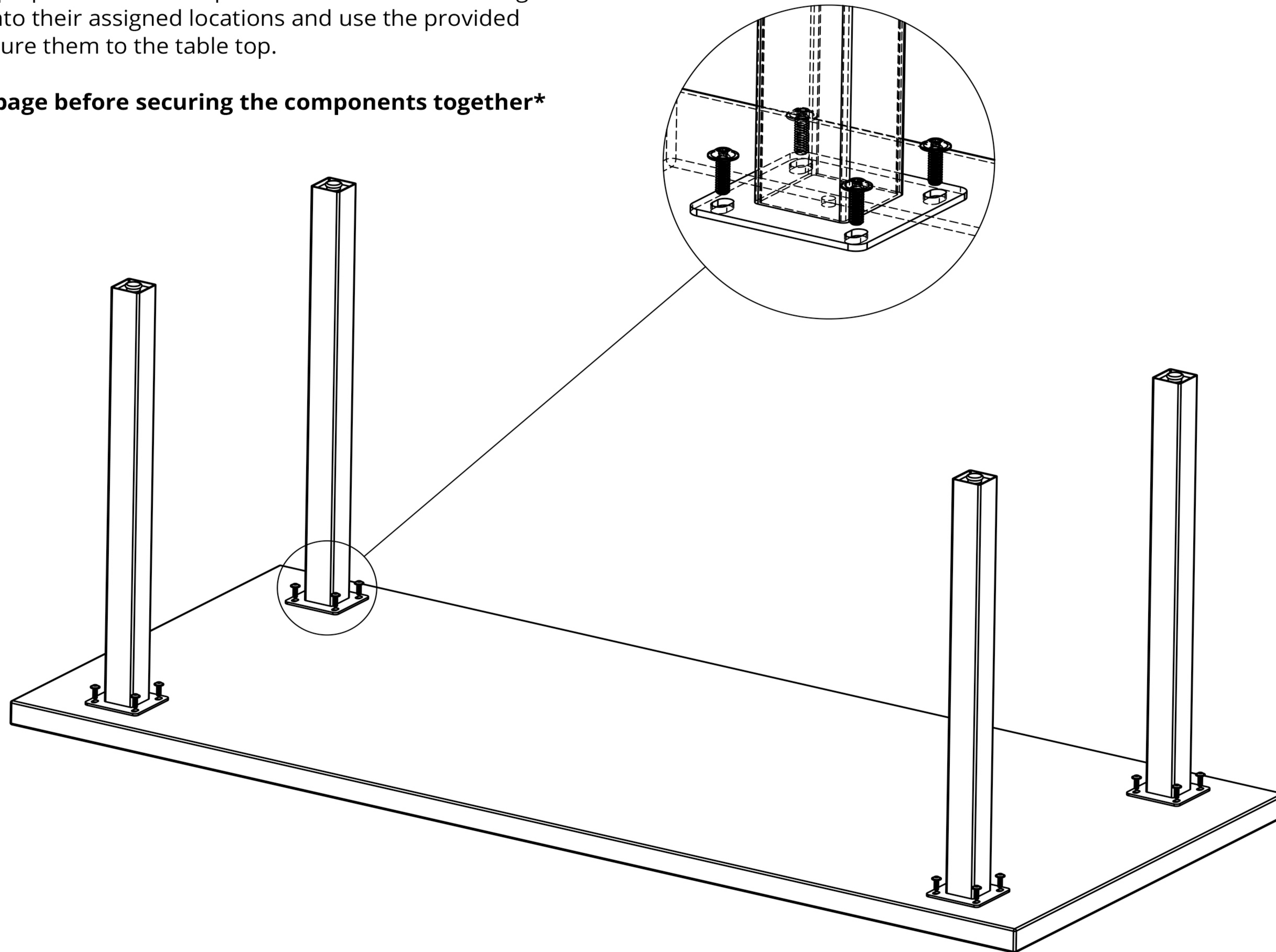


X16

Step 1

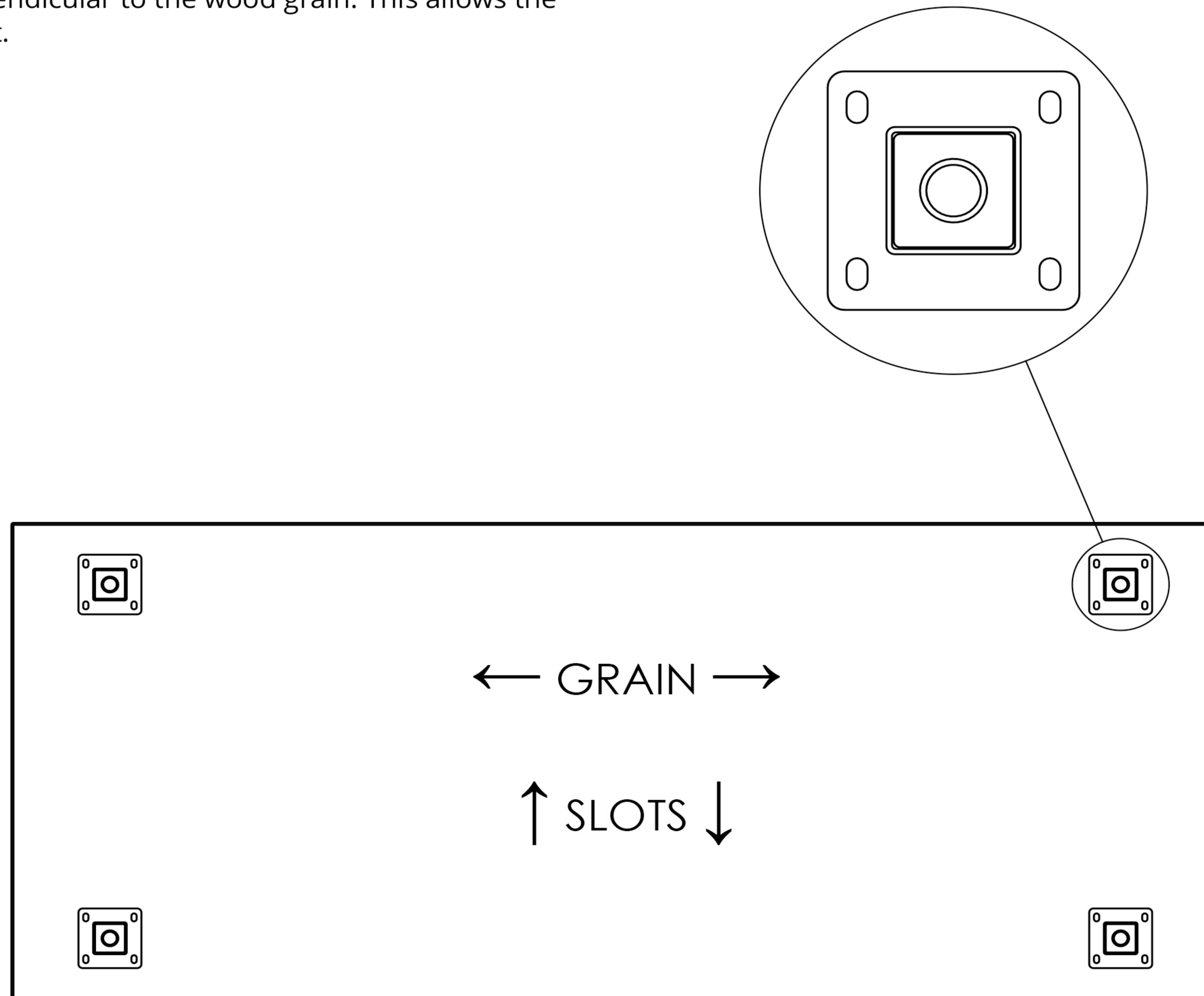
Lay the table top upside down on a padded surface. Place the legs upside down onto their assigned locations and use the provided fasteners to secure them to the table top.

See the next page before securing the components together



Notes

Make sure that all of the slots on the leg flanges are oriented in the same direction and run perpendicular to the wood grain. This allows the wood to expand and contract.



Step 2

Once all of the fasteners have been checked over and tightened, the table is ready to be flipped upright and enjoyed!

