

# Acrylic Desktop Separation Screen

## Assembly Instructions

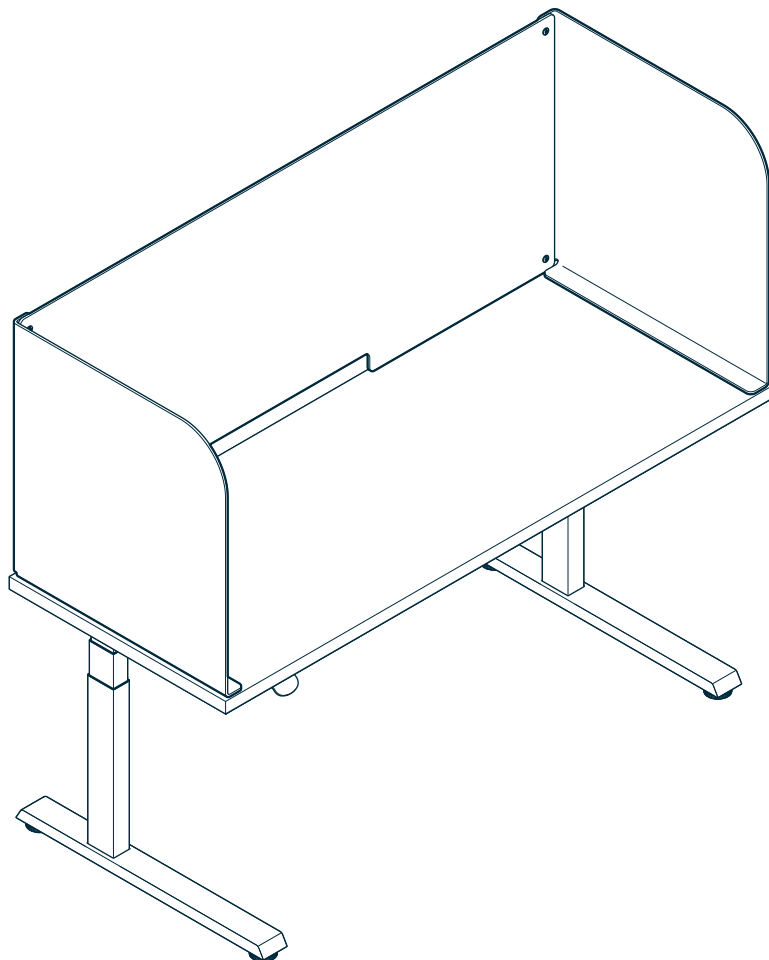
**Congratulations on your  
purchase of a new Acrylic  
Desktop Separation Screen!**

Ready to create a dedicated workspace just for you?

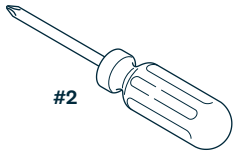
We know you want to get up and running as soon as possible, but before you dive right into setting up your screen, be sure to:

1. Make sure you have all your parts and hardware, and gather the necessary tools.
2. Follow all the steps carefully before using your screen.

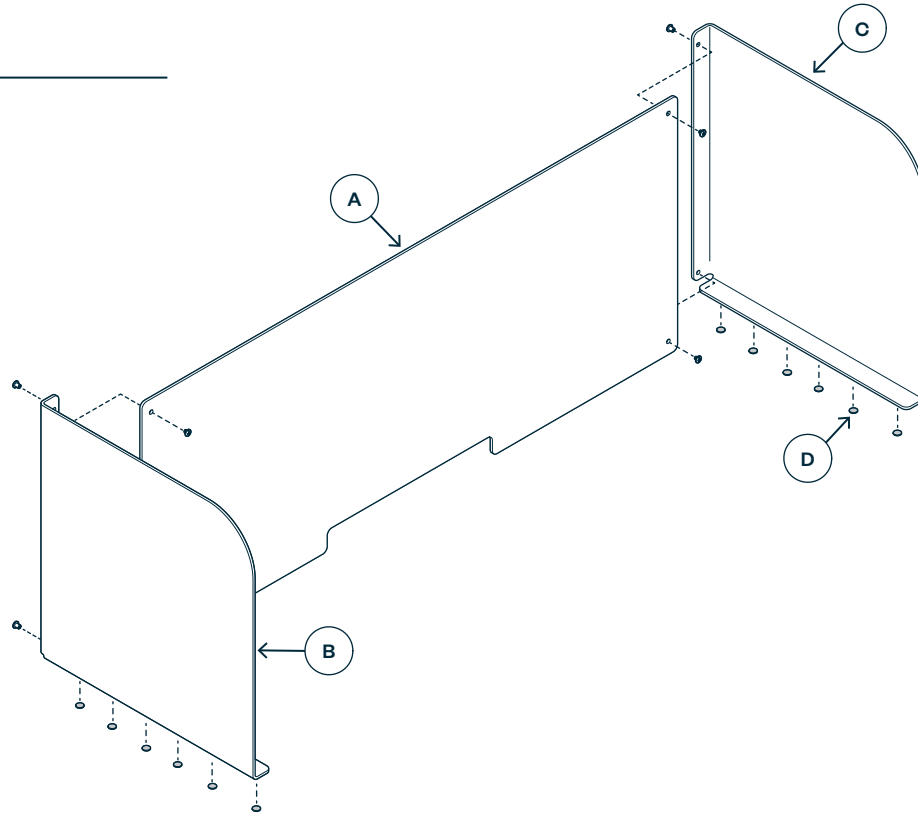
That's it! Once you've got your screen assembled, you'll be ready to get down to business with a personal workspace that's dedicated to helping you stay productive.



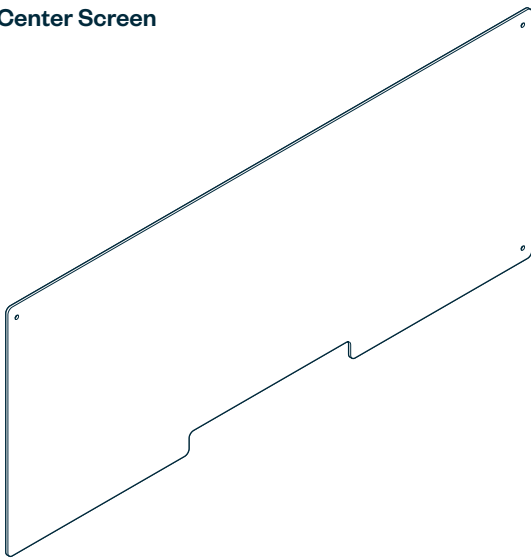
### Tools Required



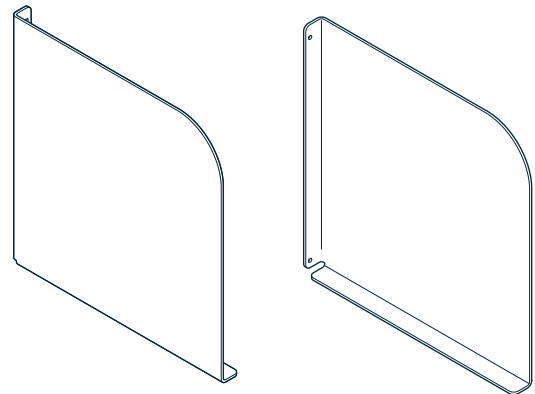
### Assembly Overview



(A) Center Screen



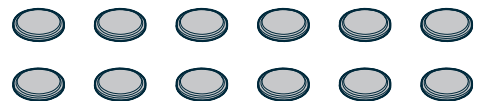
(B) Left and Right Side Screens



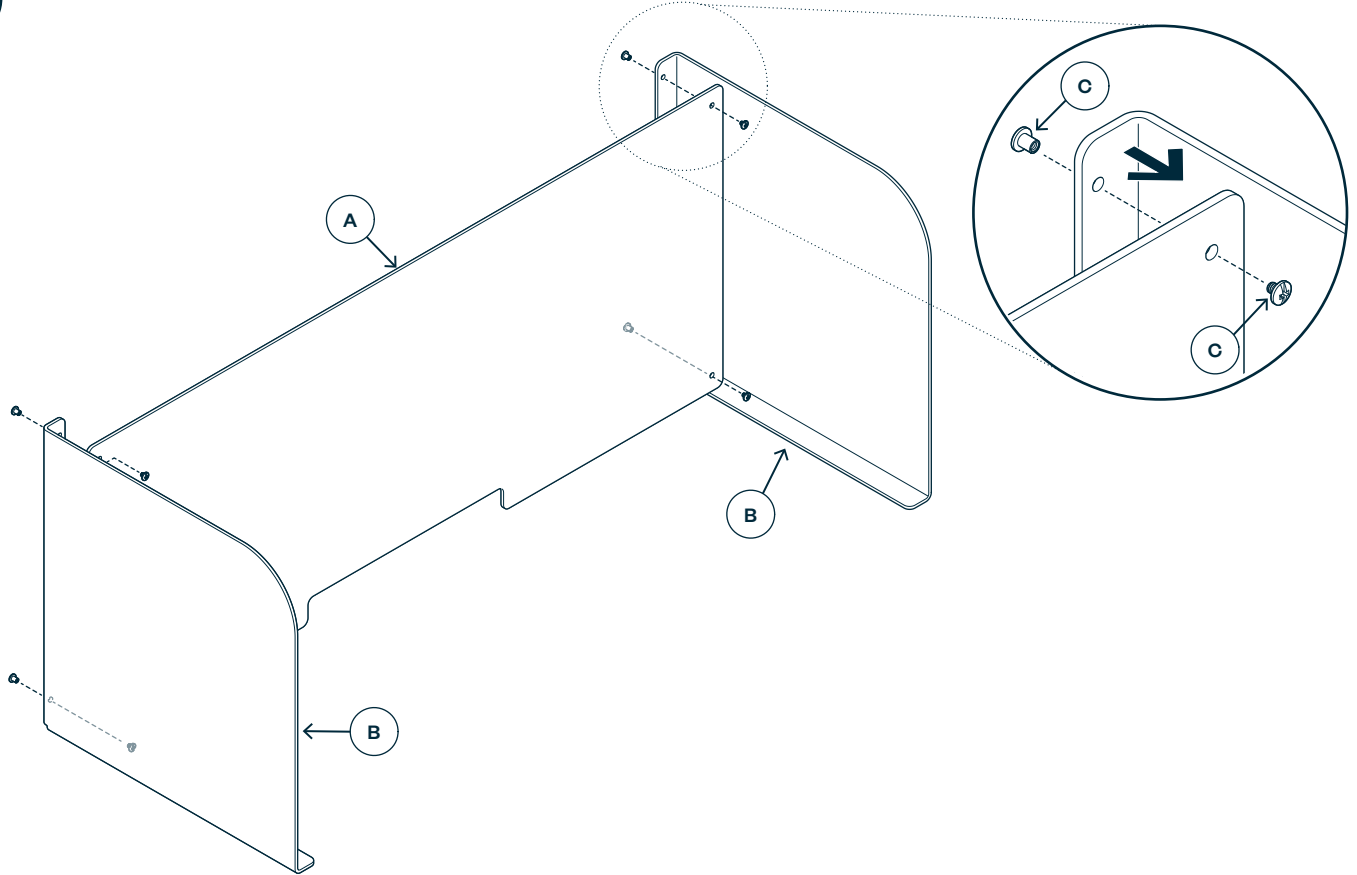
(C) Binding Post Barrels w/ Screws - Qty. 4 Sets



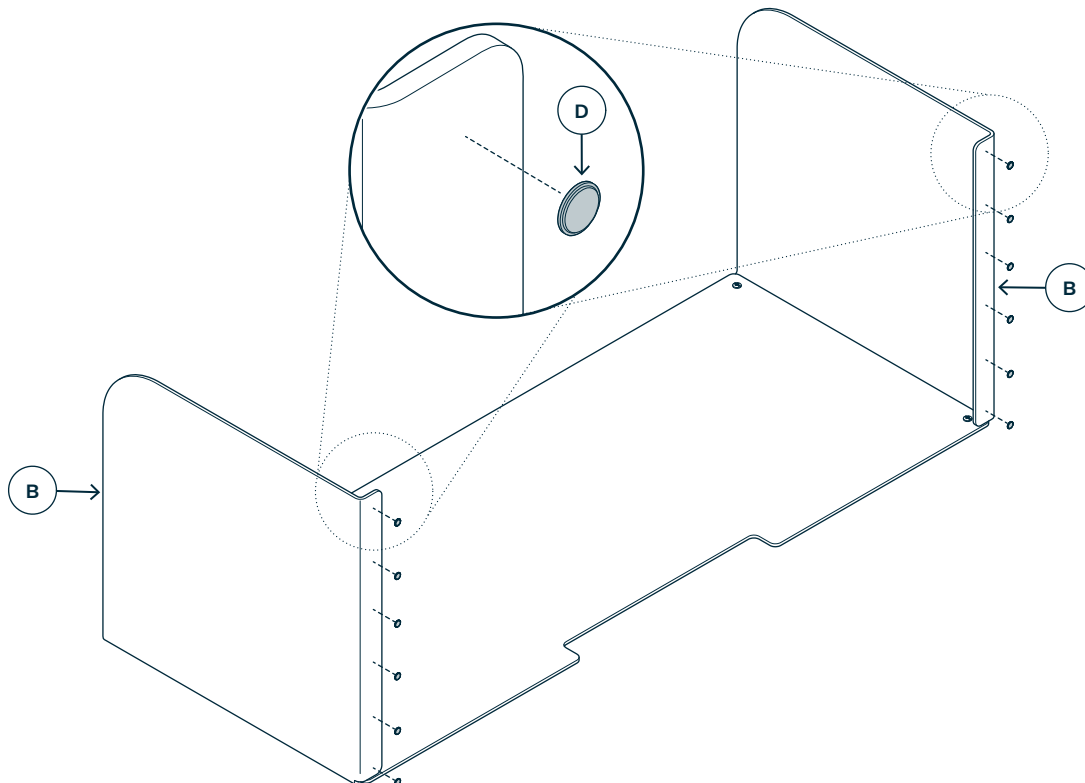
(D) Non-Slip Disks - Qty. 12



- 1** Attach side screens (B) to back screen (A) using binding post barrels and screws (C)



- 2** Flip screen assembly on its back and position six non-slip disks (D) on each side of screen (B) as shown



**3**

Position screen assembly on work top, ensuring edges are aligned

