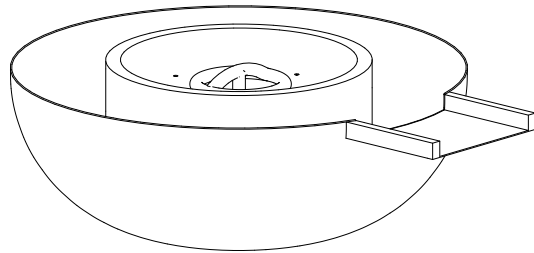
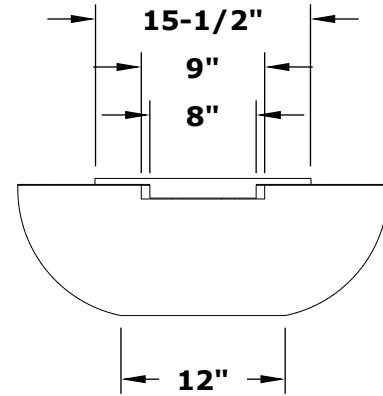


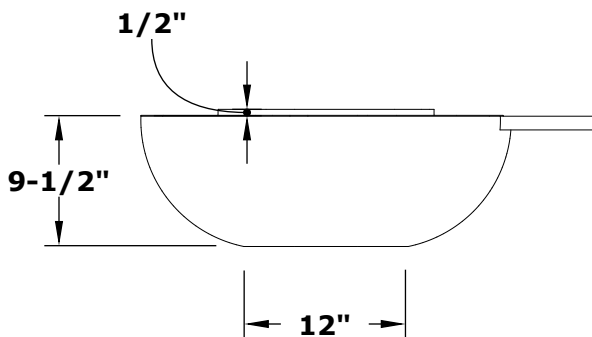
SEDONA FIRE & WATER GRAVITY SPILL BOWL- HAMMERED PATINA COPPER



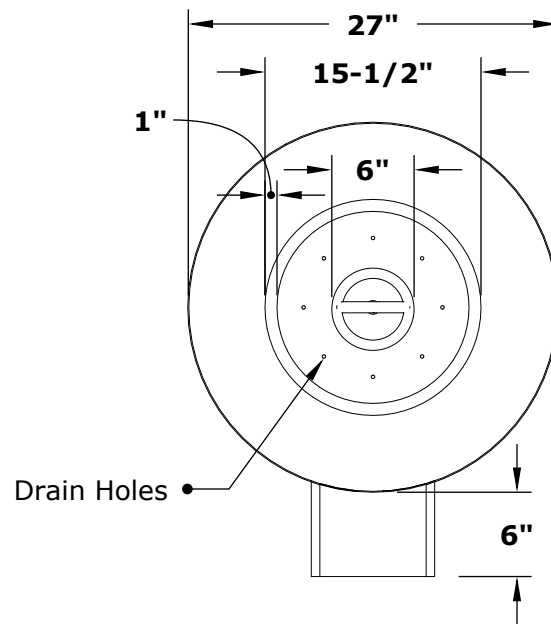
ISOMETRIC VIEW



FRONT SIDE VIEW



RIGHT SIDE VIEW



TOP SIDE VIEW

Includes: Bowl, Pan, Burner, Whistle Free Hoses, Orifice, Black Lava Rock.
 Bowl Material: Copper
 Bowl Finish: Patina Hammered Copper
 Pan Material: 304 Stainless Steel
 Burner Material: 304 Stainless Steel
 BTU: 45,000



12V ELECTRONIC IGNITION
 ANSI Z21.97-(2017) / CSA 2.41-(2017)