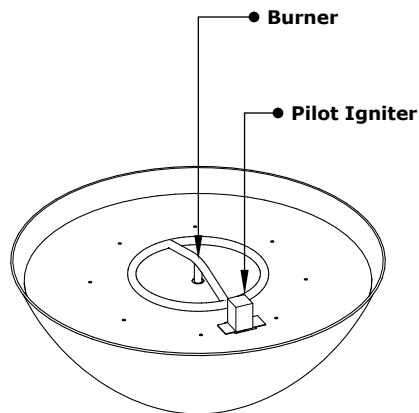
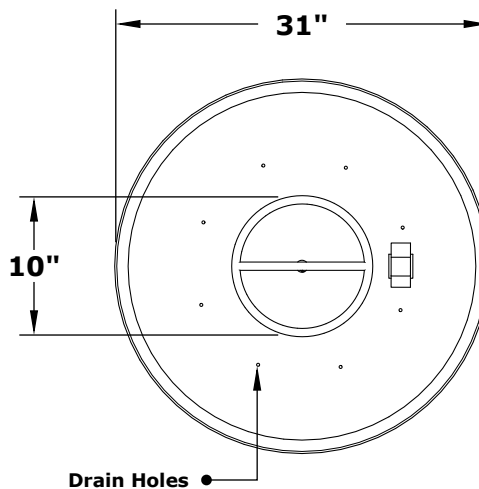


# REMI FIRE BOWL - COPPER

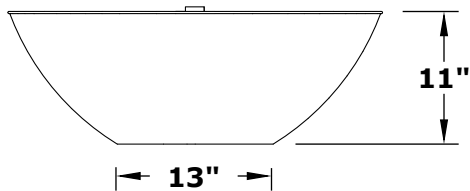
Hammered Copper



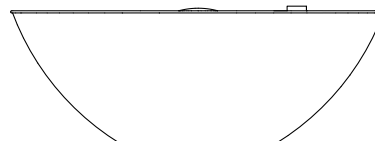
ISOMETRIC VIEW



TOP VIEW



RIGHT SIDE VIEW



FRONT SIDE VIEW

PART NUMBER	A	B	C	BTU
OPT-31RCFO	31"	13"	11"	45,000
OPT-31RCFOE12V	31"	13"	11"	45,000

Bowl Material: Hammered Copper

Pan Material: 304 Stainless Steel

Burner Material: 304 Stainless Steel

Standard 2" Depth on all pans

**12V ELECTRONIC IGNITION**

ANSI Z21.97-(2017) / CSA 2.41-(2017)



Match Lit Unit Includes: Pan, Burner, Gas Orifice, Gas Hoses, Key Valve, Key,

12v Ignition Unit Includes: Pan, Burner, Gas Orifice, Gas Hoses, Key Valve, Key, Plug & Play Electronic Valve, Pilot Igniter.