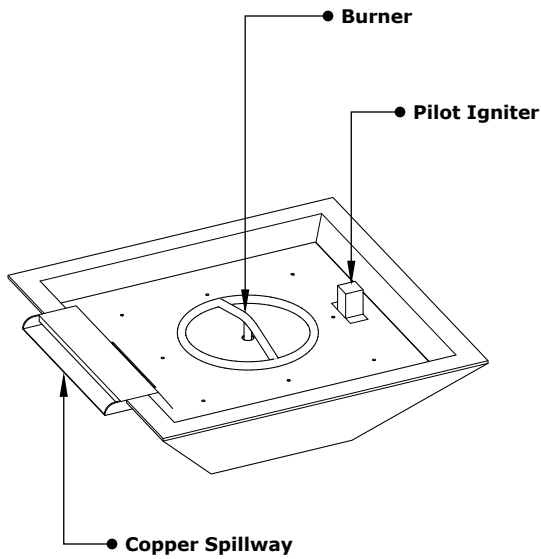
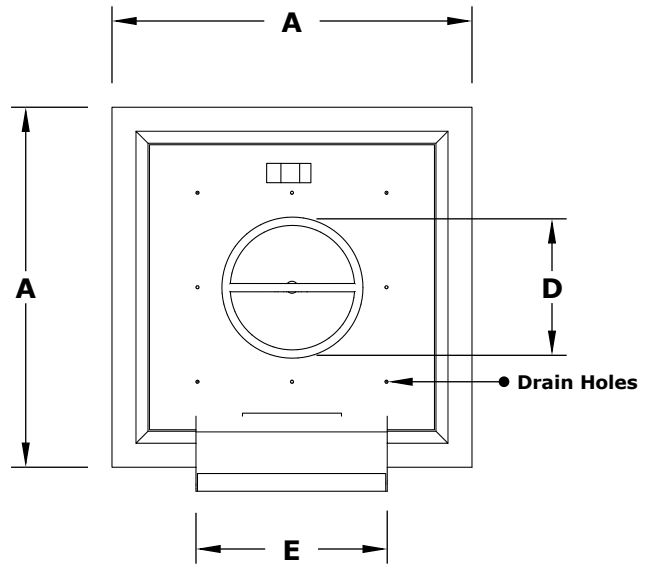


MAYA FIRE & WIDE SPILL WATER BOWL

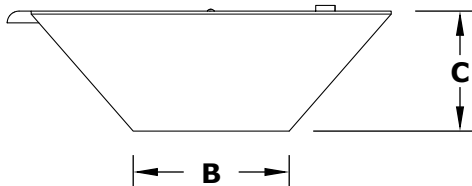
GFRC CONCRETE



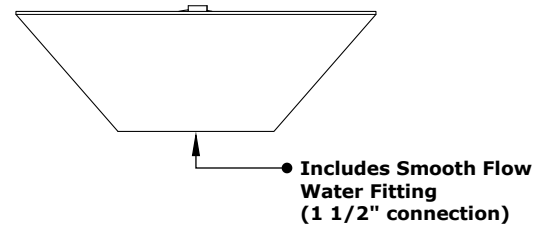
ISOMETRIC VIEW



TOP VIEW



RIGHT SIDE VIEW



BACK SIDE VIEW

PART NUMBER	A	B	C	D	E	GPM	BTU
OPT-24SFWWS	24"	13"	10.5	8"	16"	15	45,000
OPT-24SFWWSE12V	24"	13"	10.5	8"	16"	15"	45,000
OPT-30SFWWS	30"	13"	9"	8"	16"	15"	45,000
OPT-30SFWWSE12V	30"	13"	9"	8"	16"	15"	45,000
OPT-36SFWWS	36"	20"	12"	12"	20"	15"	65,000
OPT-36SFWWSE12V	36"	20"	12"	12"	20"	15"	65,000

Fire Pit Material: GFRC Concrete
 Pan Material: 304 Stainless Steel
 Burner Material: 304 Stainless Steel
 Standard 2" Depth on all pans
12V ELECTRONIC IGNITION
 ANSI Z21.97-(2017) / CSA 2.41-(2017)



Match Lit Unit Includes: Pan, Burner, Gas Orifice, Gas Hoses, Key Valve, Key,
 110v Ignition Unit Includes: Pan, Burner, Gas Orifice, Gas Hoses, Key Valve, Key, Plug & Play Electronic Valve, Pilot Igniter.