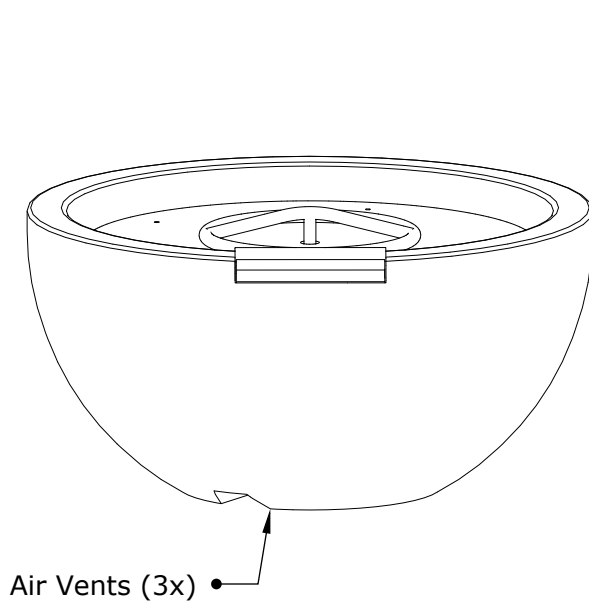
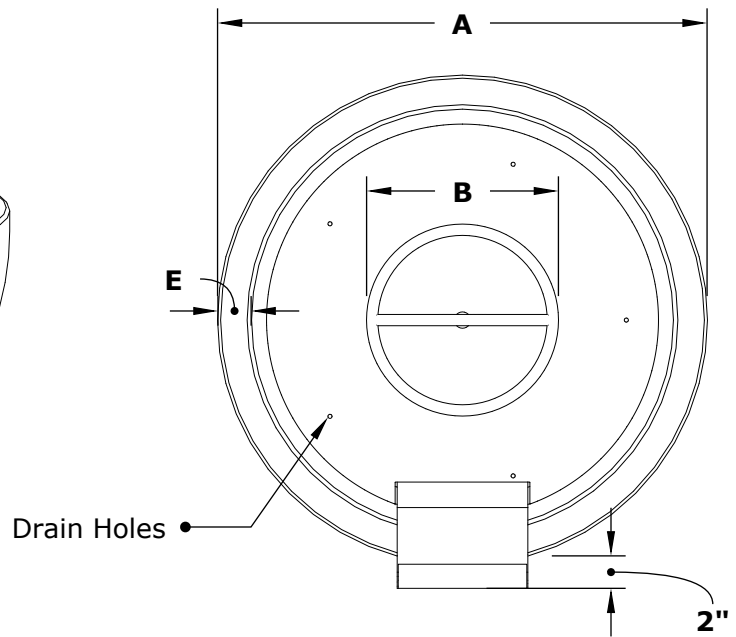


# LUNA FIRE WATER BOWL - GFRC CONCRETE



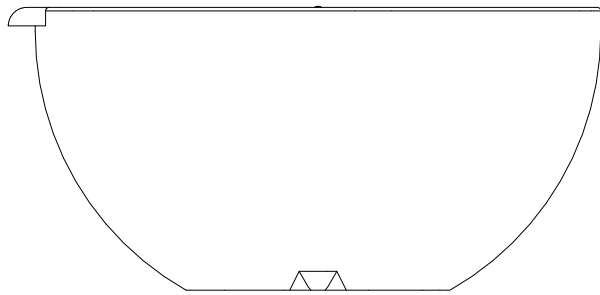
Air Vents (3x)

**ISOMETRIC VIEW**

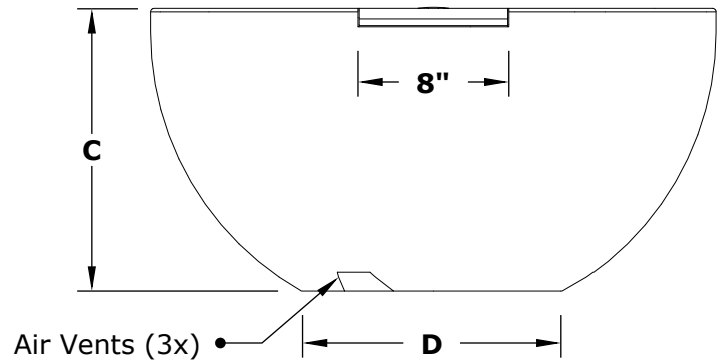


Drain Holes

**TOP VIEW**



**RIGHT SIDE VIEW**



Air Vents (3x)

**FRONT SIDE VIEW**

SKU	A	B	C	D	E	BTU
OPT-LUNFW30	30"	12"	15"	14"	2"	65,000
OPT-LUNFW30E12V	30"	12"	15"	14"	2"	65,000
OPT-LUNFW38	38"	12"	16"	22"	2.5"	65,000
OPT-LUNFW38E12V	38"	12"	16"	22"	2.5"	65,000

Fire Pit Material: GFRC Concrete  
 Finish: Smooth Finish  
 Pan Material: 304 Stainless Steel  
 Burner Material: 304 Stainless Steel

**12V ELECTRONIC IGNITION**  
 ANSI Z21.97-(2017) / CSA 2.41-(2017)



Includes: Pan, Burner, Whistle Free Hose, Copper Scupper, Black Lava Rock.