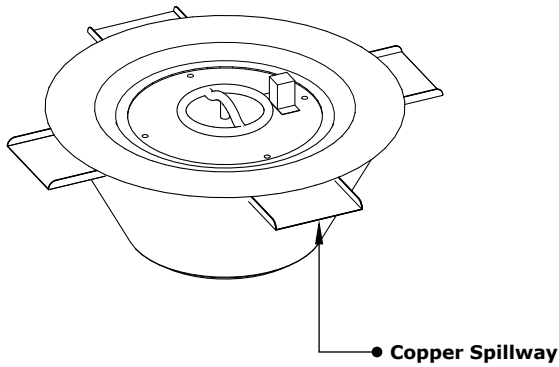
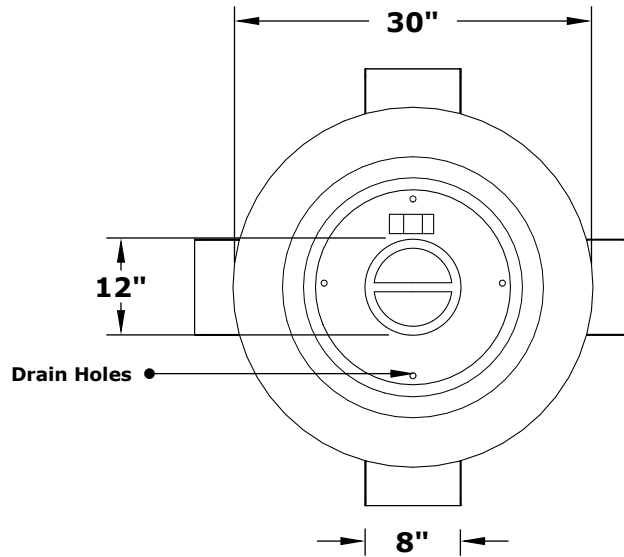


# CAZO FIRE & WATER BOWL - 4 WAY SPILL

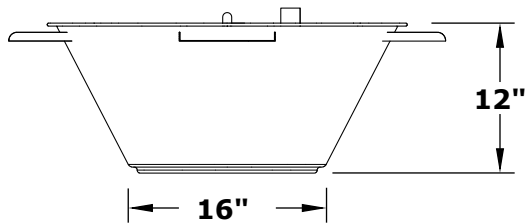
GFRC CONCRETE



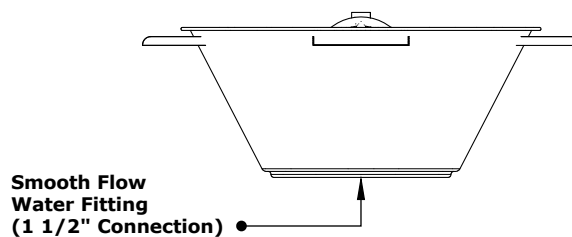
ISOMETRIC VIEW



TOP VIEW



RIGHT SIDE VIEW



FRONT SIDE VIEW

PART NUMBER	A	B	C	GPM	BTU
OPT-4W30	30"	16"	12"	30	65,000
OPT-4W30E12V	30"	16"	12"	30	65,000
OPT-4W36	36"	20"	12"	30	65,000
OPT-4W36E12V	36"	20"	12"	30	65,000

Fire Bowl Material: Hammered Copper  
 Pan Material: 304 Stainless Steel  
 Burner Material: 304 Stainless Steel  
 Standard 2" Depth on all pans

**12V ELECTRONIC IGNITION**  
 ANSI Z21.97-(2017) / CSA 2.41-(2017)



Match Lit Unit Includes: Pan, Burner, Gas Orifice, Gas Hoses, Key Valve, Key,  
 12v Ignition Unit Includes: Pan, Burner, Gas Orifice, Gas Hoses, Key Valve, Key, Plug & Play Electronic Valve, Pilot Igniter.