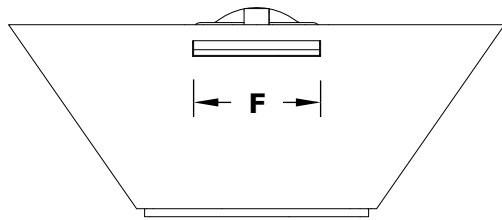
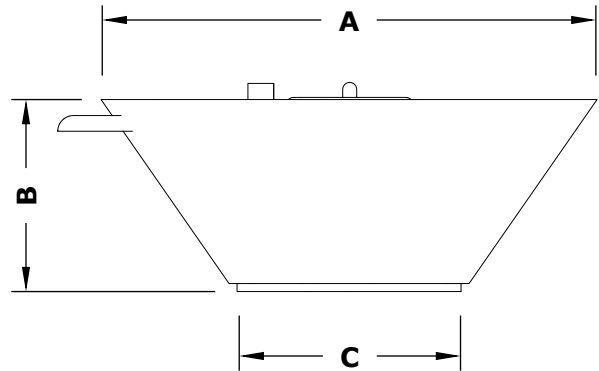


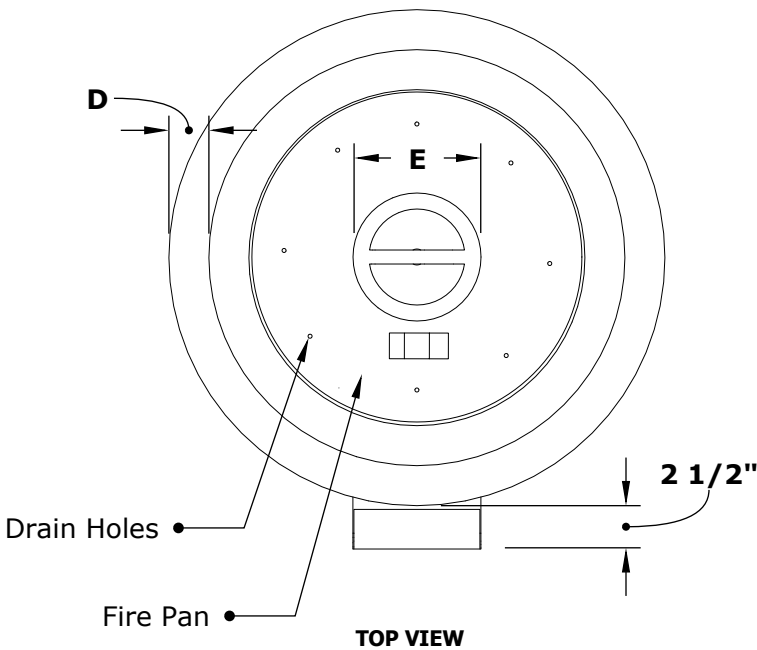
CAZO FIRE & WATER BOWL HAMMERED COPPER



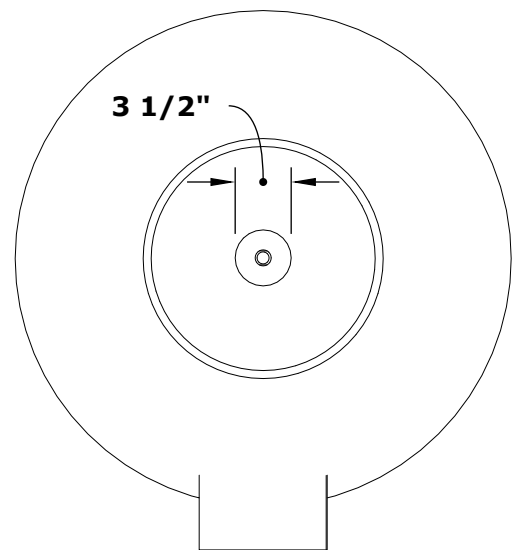
ISOMETRIC VIEW



RIGHT SIDE VIEW



TOP VIEW



FRONT SIDE VIEW

SKU	A	B	C	D	E	F	BTU
OPT-101-24NWCB	24"	10.5	13"	2"	8"	8"	45,000
OPT-102-30NWCB	30"	10"	13"	3"	8"	8"	65,000
OPT-102-36NWCB	36"	12"	20"	3"	12"	10"	65,000
OPT-101-24NWCBE12V	24"	10.5	13"	2"	8"	8"	45,000
OPT-102-30NWCBE12V	30"	10"	13"	3"	8"	8"	65,000
OPT-102-36NWCBE12V	36"	12"	20"	3"	12"	10"	65,000

Fire Bowl Material: Copper
 Finish: Hammered Patina Finish
 Pan Material: 304 Stainless Steel
 Burner Material: 304 Stainless Steel
12V ELECTRONIC IGNITION
 ANSI Z21.97-(2017) / CSA 2.41-(2017)



Includes: Pan, Burner, NG or LP orifice, Whistle Free Hose, Black Lava Rock.