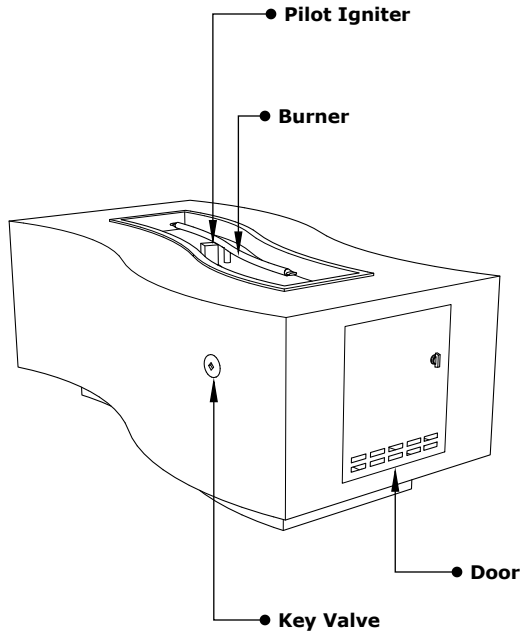
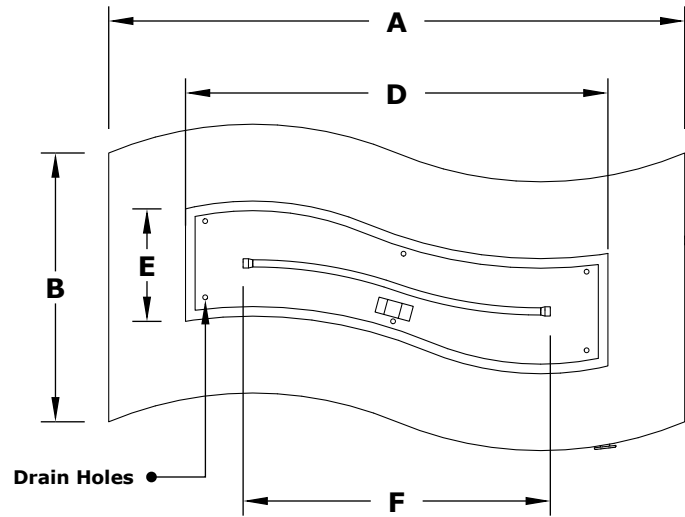


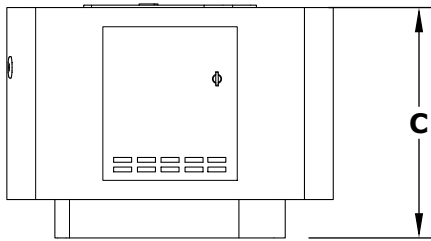
BIG SUR FIRE PIT



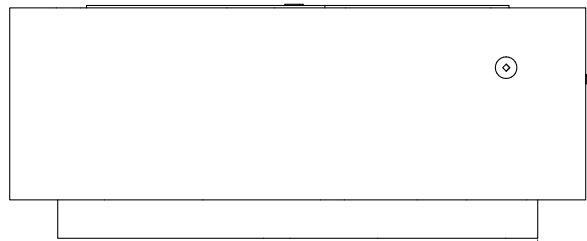
ISOMETRIC VIEW



TOP VIEW



RIGHT SIDE VIEW



FRONT SIDE VIEW

PART NUMBER	A	B	C	D	E	F	BTU
OPT-BGSR60	60"	28"	24"	42"	10"	48"	65,000
OPT-BGSR60EKIT	60"	28"	24"	42"	10"	48"	65,000
OPT-BGSR72	72"	28"	24"	54"	10"	48"	65,000
OPT-BGSR72EKIT	72"	28"	24"	54"	10"	48"	65,000

Fire Pit Material: Wood Grain GFRC
Pan Material: 304 Stainless Steel
Burner Material: 304 Stainless Steel

Standard 1" Flange on all pans
Standard 2" Depth on all pans
110V ELECTRONIC IGNITION
ANSI Z21.97-(2017) / CSA 2.41-(2017)



Match Lit Unit Includes: Pan, Burner, Gas Orifice, Gas Hoses, Key Valve, Key,
110v Ignition Unit Includes: Pan, Burner, Gas Orifice, Gas Hoses, Key Valve, Key, Plug & Play Electronic Valve, Pilot Igniter.