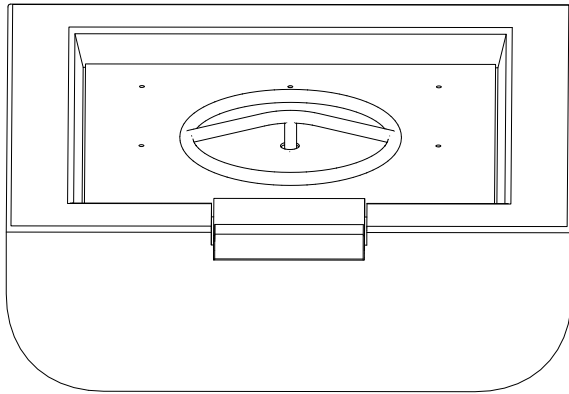
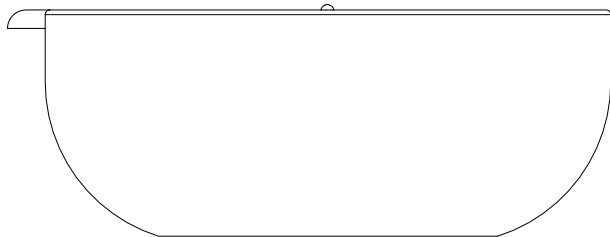
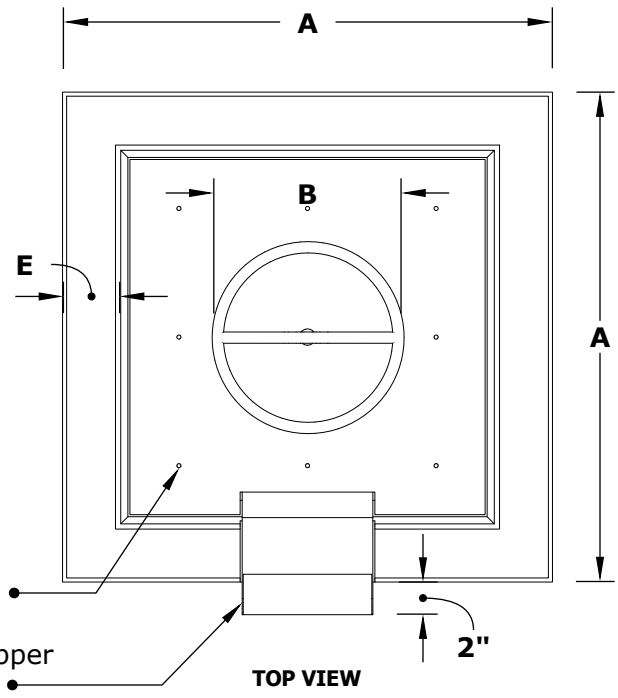


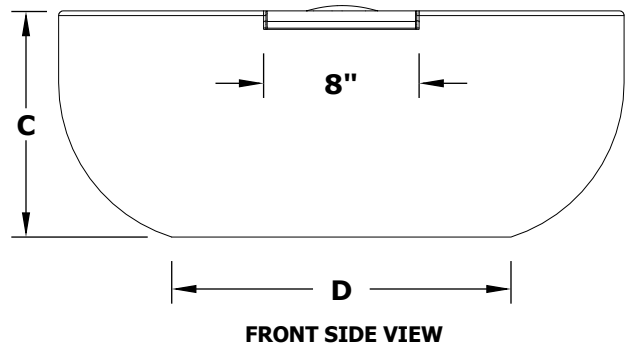
AVALON FIRE WATER BOWL - GFRC CONCRETE



ISOMETRIC VIEW



RIGHT SIDE VIEW



SKU	A	B	C	D	E	BTU	GPM
OPT-AVLFW24	24"	8"	10"	13"	2.5"	45,000	15
OPT-AVLFW30	30"	12"	12"	18"	3.5"	65,000	15
OPT-AVLFW36	36"	12"	12"	22"	4"	65,000	15
OPT-AVLFW24E12V	24"	8"	10"	13"	2.5"	45,000	15
OPT-AVLFW30E12V	30"	12"	12"	18"	3.5"	65,000	15
OPT-AVLFW36E12V	36"	12"	12"	22"	4"	65,000	15

Fire Pit Material: GFRC Concrete
 Finish: Smooth Finish
 Pan Material: 304 Stainless Steel
 Burner Material: 304 Stainless Steel

12V ELECTRONIC IGNITION
 ANSI Z21.97-(2017) / CSA 2.41-(2017)



Includes: Pan, Burner, Whistle Free Hoses, Copper Scupper, Black Lava Rock.