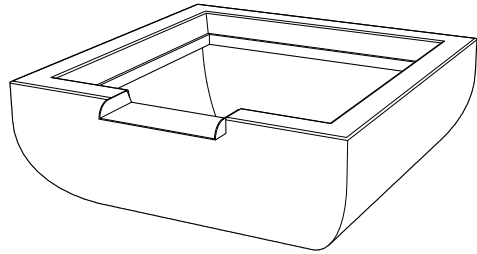
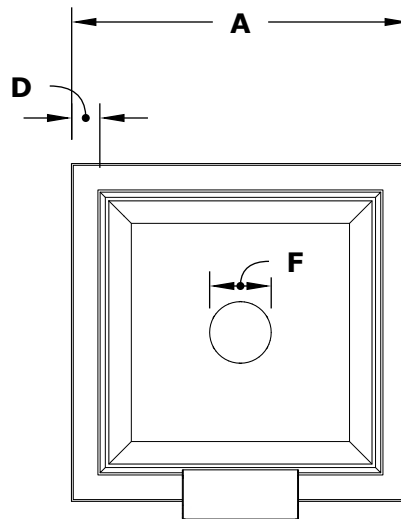


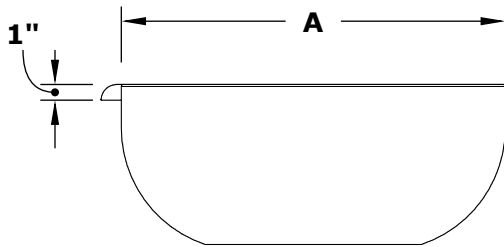
# AVALON WATER BOWL- GFRC CONCRETE



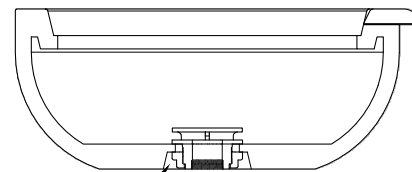
**ISOMETRIC VIEW**



**TOP VIEW**

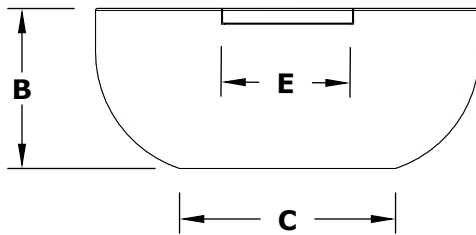


**RIGHT SIDE VIEW**

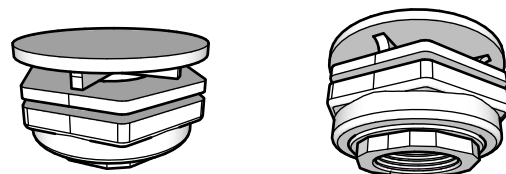


**Smooth Flow  
Water Fitting  
(1 1/2" Connection)**

**SECTION CUT**



**FRONT SIDE VIEW**



**1 1/2" Inlet**

SKU	A	B	C	D	E	F	GPM
OPT-AVLWO24	24"	10"	13.5"	2"	8"	3"	7-10
OPT-AVLWO30	30"	12"	17"	3.5"	8"	3.5"	7-10
OPT-AVLWO36	36"	12"	18"	3.5"	10"	3.5"	7-10

Fire Bowl Material: GFRC Concrete  
Finish: Smooth Finish  
Includes: Bowl, Copper Scupper,  
Water Fitting