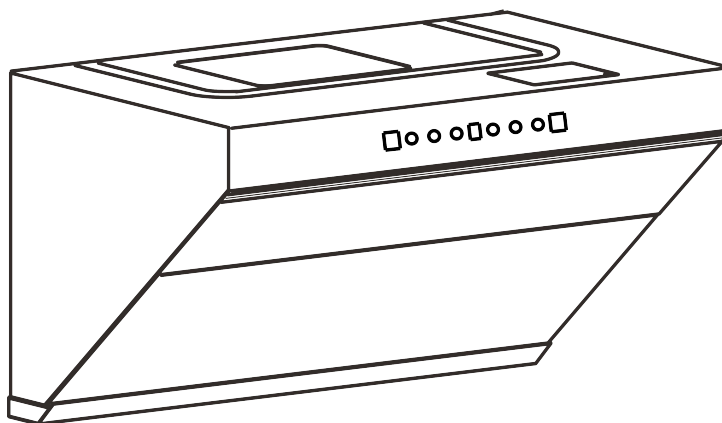


# **SNDOAS**

## **User Manual**



Customer Service: E-mail: [sndoas.service@outlook.com](mailto:sndoas.service@outlook.com)



# **CONTENT**

READ AND SAVE THESE INSTRUCTIONS.....	2
PRECAUTIONS.....	3
INSTALLATION INSTRUCTION.....	5
INSTALLATION PREPARATION.....	5
TOOLS AND MATERIALS REQUIRED ( NOT SUPPLIED) .....	5
STANDARD ACCESSORIES INCLUDED.....	6
OPTIONAL ACCESSORIES FOR DUCT COVER.....	6
VENTING REQUIREMENTS.....	7
INSTALLATION CLEARANCE AND PRODUCT DIMENSIONS.....	8
INSTALLATION.....	8
OPERATION INSTRUCTION.....	15
MAINTENANCE.....	16
TROUBLE-SHOOTING.....	18
PRODUCT SPECIFICATION.....	19
WIRING DIAGRAM.....	19



## **INTRODUCTION**

### **Thank you for choosing this cooker hood.**

This instruction manual is designed to provide you with all required instructions related to the installation, using and maintenance of the appliance.

In order to operate the unit correctly and safely, please read this instruction manual carefully before installation and usage.

## **READ AND SAVE THESE INSTRUCTIONS**

### **WARNING: TO REDUCE THE RISK OF A RANGE TOP GREASE FIRE:**

- a) Never leave surface units unattended at high settings. Boilovers cause smoking and greasy spillovers that may ignite. Heat oils slowly on low or medium settings.
- b) Always turn hood ON when cooking at high heat or when flaming food (i.e., Crepes Suzette, Cherries Jubilee, Peppercorn Beef Flambe).
- c) Clean ventilating fans frequently. Grease should not be allowed to accumulate on fan or filter.
- d) Use proper pan size. Always use cookware appropriate for the size of the surface element.

### **WARNING: TO REDUCE THE RISK OF INJURY TO PERSONS IN THE EVENT OF A RANGE TOP GREASE FIRE, OBSERVE THE FOLLOWING:**

- a) SMOTHER FLAMES with a close-fitting lid, cookie sheet, or metal tray, then turn off the burner. BE CAREFUL TO PREVENT BURNS. If the flames do not go out immediately, EVACUATE AND CALL THE FIRE DEPARTMENT.
- b) NEVER PICK UP A FLAMING PAN-You may be burned.
- c) DO NOT USE WATER, including wet dishcloths or towels-a violent steam explosion will result.
- d) Use an extinguisher ONLY if:
  - 1) You know you have a Class ABC extinguisher, and you already know how to operate it.
  - 2) The fire is small and contained in the area where it started.
  - 3) The fire department is being called.
  - 4) You can fight the fire with your back to an exit.

### **WARNING: TO REDUCE THE RISK OF FIRE, USE ONLY METAL DUCTWORK.**

**WARNING:** To provide protection against electric shock, connect to properly grounded outlets only.

## **GROUNDING INSTRUCTIONS**


This appliance must be grounded. In the event of an electrical short circuit, grounding reduces the risk of electric shock by providing an escape wire for the electric current. This appliance is equipped with a cord having a grounding wire with a grounding plug. The plug must be plugged into an outlet that is properly installed and grounded.

**WARNING:** Improper grounding can result in a risk of electric shock.

Consult a qualified electrician if the grounding instructions are not completely understood, or if doubt exists as to whether the appliance is properly grounded.

Do not use an extension cord. If the power supply cord is too short, have a qualified electrician install an outlet near the appliance.

## PRECAUTIONS

	<p><b>To avoid any accidental risk and damage to the range hood, please read this product manual carefully before starting installation and use.</b></p>
	<p>Only then can you operate this product safely and correctly, reducing the risk of fire, electric shock, or personal injury.</p>
	<p>Please keep this product manual for future use or subsequent users.</p>

- For more detailed information, please refer to the specification label on the range hood.

**NOTE:** In order to reduce the risk of fire and properly discharge oil fumes, please ensure that oil fumes are discharged outside the house, and do not discharge oil fumes to narrow walls or ceilings, such as: loft, garages ...

**CAUTION:** For General Ventilating Use Only. Do Not Use to Exhaust Hazardous or Explosive Materials and Vapors.

**WARNING:** To reduce the risk of fire or electric shock, do not use other electrical switches (solid state relay switches) for this fan.

**WARNING:** To reduce the risk of fire, electric shock or personal injury, please observe the following points:

- (a) Please use the range hood according to the manufacturer's instructions. If in doubt please contact the manufacturer.
- (b) Turn off the power before repairing or cleaning the range hood.
- (c) Installation and wiring work must be performed by a qualified technician in accordance with appropriate safety regulations, including fire-related instructions.
- (d) In order to completely burn the combustion system and discharge the exhaust gas through the exhaust pipe to avoid the backflow of the exhaust gas, sufficient air is necessary. Please follow the combustion system manufacturer's manual and safety specifications, such as National Fire Protection Association (NFPA), American Society of Heating, Refrigeration and Air-Conditioning Engineers (ASHRAE), and local government regulations.
- (e) When drilling holes in the wall or ceiling, do not injure electrical wires and other hidden facilities.

(f)The fan of the exhaust duct must be connected to the outdoors.

**WARNING: To reduce the risk of range hood fire, please observe the following points:**

(a)Clean the exhaust fan frequently, and should not allow oil stains to accumulate on the fan or filter.

(b) Be sure to turn on the range hood when cooking at high temperature.

(c) When the range hood is running at high speed, the food on the stove should not be out of sight. Overcooked food may easily cause soot or the hot oil may spill out of the pan, which may easily cause the range hood in use to catch fire. and spread the fire. Slowly heat up the oil temperature when the range hood is running at low speed.

(d) When cooking, always pay attention to whether the range hood is abnormal.

(e) Use appropriate size cooking pots.

**WARNING: To reduce the risk of fire, electric shock or personal injury, please observe the following points:**

(a)Use tight lids, sheets or trays to smother the flame, then turn off the fire, taking care to avoid burns. If the flames do not go out immediately, move away from the fire and call the fire brigade.

(b) Never pick up a pot that is on fire-you could be injured.

(c) Do not attempt to extinguish the flame with water, including wet napkins or towels, as this will also cause violent vapors.

(d) Use a fire extinguisher to put out the fire, if the situation is as follows:

1. Identify a fire extinguisher with series ABC and you know how to operate it.
2. The fireworks are small and still burning within the original ignition point.
3. The fire brigade has been called.
4. Make sure that there is sufficient capacity to extinguish the fire and that there is a safe escape exit behind.

**WARNING:** To reduce the risk of fire, it is recommended to use a metal piping system.

- When installing the range hood body, the distance between the top of the range hood and the stove surface should not be less than 29 inches.

## INSTALLATION INSTRUCTION

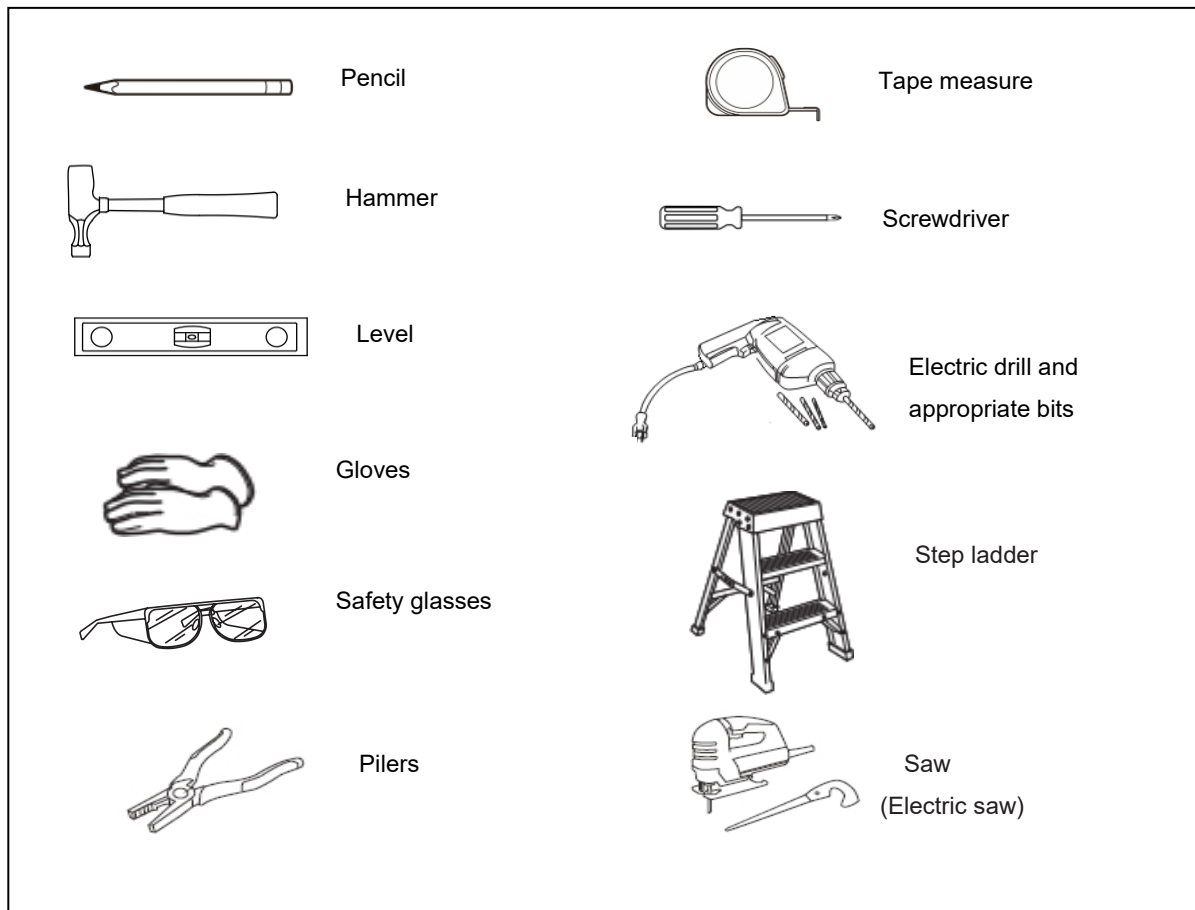
### INSTALLATION PREPARATION

#### BEFORE YOU BEGIN

Read these instructions carefully and completely.







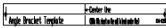








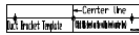


- **IMPORTANT** – Save these instructions for local inspector’s use.
- **IMPORTANT** – Observe all governing code and ordinances.
- **Note to Installer** – Be sure to leave these instructions with Consumer.
- **Note to Consumer** – Keep these instructions for future reference.
- **Skill level** – Installation of this appliance requires a qualified installer or electrician.
- **Completion time** – Approximately 1 to 3 hours
- **Proper installation** is the responsibility of the installer.
- **Product failure** due to improper installation is not covered under Warranty.

#### TOOLS AND MATERIALS REQUIRED ( NOT SUPPLIED)

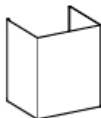




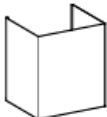







## STANDARD ACCESSORIES INCLUDED

Kits	Parts
Air duct base kit	   Air duct base; 1 pc      Sealing sponge; 1 pc      Screw M4X12; 4 pcs
Installation kit for installing hood on two sides wall	   Steel angle bracket; 2 pcs      Screw M5X12; 4 pcs      Screw M4X40; 2 pcs
	  Steel angle bracket template; 1 pc      Expansion tube; 2pcs
Installation kit of installing hood under cabinet	    M4X40      Screw M5X40      Washer 5X16X1.2      Under-cabinet 4 pcs      4 pcs      4 pcs      template, 1 pc
Installation kit for installing hood on back wall	    Mounting plate      Screw M4X40      Expansion tube      Mounting plate 1 pc      3 pcs      3 pcs      template 1 pc
Oil collector	 1 pc
User manual	 1 pc

## OPTIONAL ACCESSORIES FOR DUCT COVER (Duct cover is **not** included, need to order it separately)

Kits	Parts
Upper duct cover	 Upper duct cover; 1 pc
Upper duct cover install kit	   Duct cover bracket; 1 pc      Screw M4X40; 2 pcs      Expansion tube; 2 pcs
	 Duct cover bracket template; 1 pc
Lower duct cover	 Upper duct cover, 1 pc

Lower duct cover install kit	 Duct cover bracket; 1 pc	 Screw M4X10; 10 pcs	 Fixing piece; 2 pcs
------------------------------	---	--	--

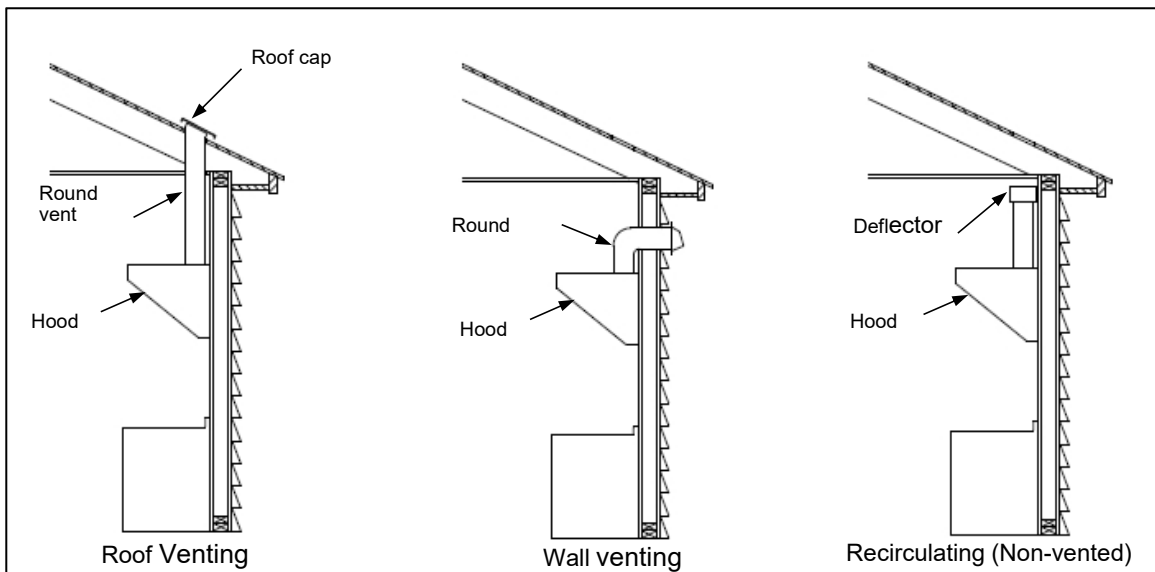
## VENTING REQUIREMENTS

- The outlet of vent system must be outdoors except for recirculation (non-vented) installations.
- Do not locate outlet of the vent system in an attic or other enclosed area.
- Use metal vent only. Rigid metal vent is recommended. Plastic or metal foil vent is not recommended.
- The vent system must have a damper. If the roof or wall cap has a damper, do not use the damper supplied with the range hood.
- To maximize the ventilation performance of the vent system:
  - Minimize the duct run length and number of transitions and elbows.
  - Maintain a constant duct size.
  - Seal all connections with duct tape to prevent any leaks.
  - Seal the exterior wall or roof opening around the cover with caulking.

**WARNING:** To reduce the risk of fire, metal piping is recommended.

### For Recirculation Installations

If it is not possible to vent cooking fumes and vapors to the outside, the hood can be used in the recirculation (non-vented) mode, using a Recirculation Kit (not included, which includes charcoal filters and a deflector).



## POWER SUPPLY

**WARNING:** FOR PERSONAL SAFETY, THIS APPLIANCE MUST BE PROPERLY GROUNDED.

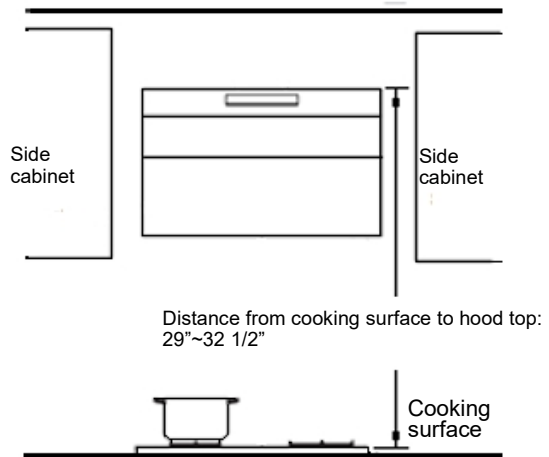
Remove house fuse or open circuit breaker before beginning installation. Do not use an extension cord or adapter plug with this appliance. Follow National Electrical Codes or prevailing local codes and ordinances.

The power supply must use the rated voltage (120V, 60Hz).

The power cord of this range hood is a 3P plug with grounding function, please use the grounding socket of the same specification when installing. And confirm that the range hood body does achieve the grounding function

## INSTALLATION CLEARANCE AND PRODUCT DIMSIONS

The cooking hood must be installed between the 29" required minimum and 32 1/2" recommended maximum above the cooking surface (as figure 2).



The diameter of the air outlet of the range hood is 7 inches. Please measure the diameter of your air duct. If it is not 7 inches, you need to buy an adapter (The adapter can be purchased at Home Depot or DIY hardware retail stores).

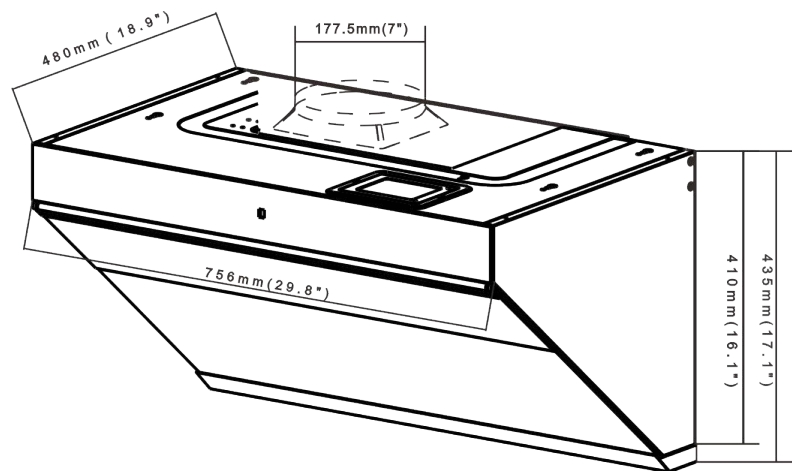
**NOTE:** If the diameter of the air duct is less than 7 inches, it will affect the ventilation.

The method of measuring the diameter of the air duct is as follows. Use a rope to surround the air duct and measure the circumference of the air duct:

If the circumference is 48 cm, the diameter of the air duct is 6 inches.

If the circumference is 56 cm, the diameter of the air duct is 7 inches.

If the circumference is 64 cm, the diameter of the air duct is 8 inches.



## INSTALLATION

This range hood has three installation methods to meet different cabinet designs or requirements.

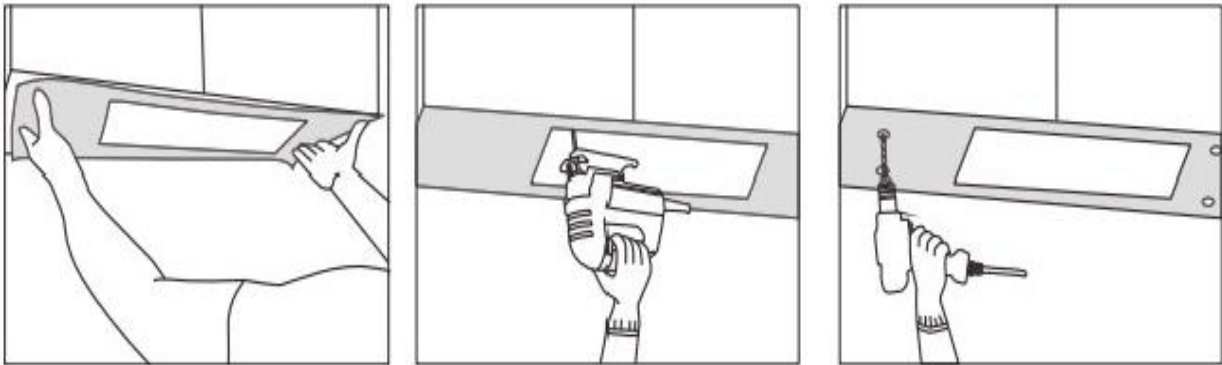
**WARNING:** Please wear protective gloves during installation.

#### A. Installing range hood under the cabinet

1. Take out the under-cabinet template from the accessory packing box, stick it under the cabinet according to instructions on it. Then cut open hole, drill holes and install 4 wood screws according to the requirements of template (The wood screws should not be drove in place. There must be a gap 1/4"~1/2" between screw head and the cabinet.).

**NOTE:** If there is a wooden liner on the bottom plate of cabinet against the wall, the edge which indicates the side of the wall (Wall) in the template needs to be cut according to the thickness of the wooden liner.

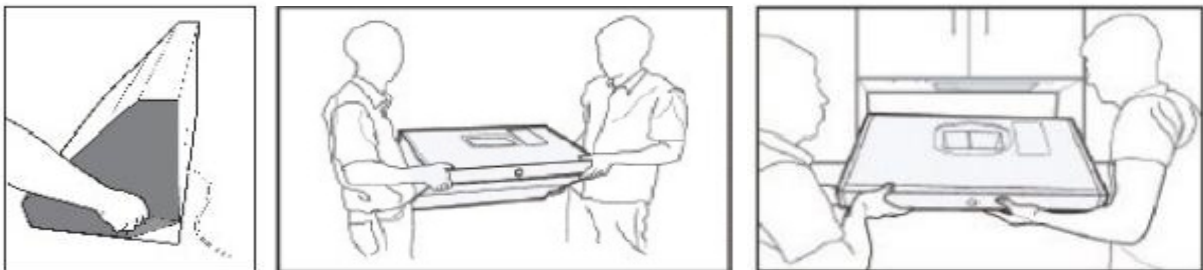
**REMINDER:** Wear goggles when opening the hole.



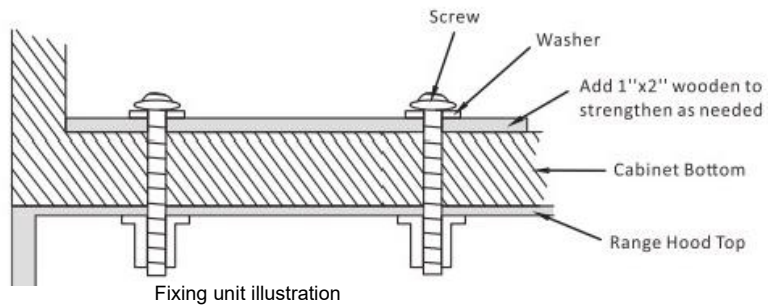
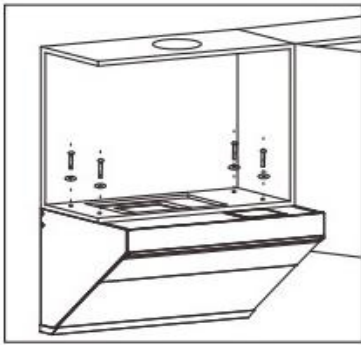
2. Tear off the protective film from the whole product.

3. Lift the unit horizontally and align the gourd  $\phi$  shape holes in the unit top with the screw heads on the cabinet, then push the range hood back to the wall for positioning.

**NOTE:** Two people are need to install this range hood for safety.

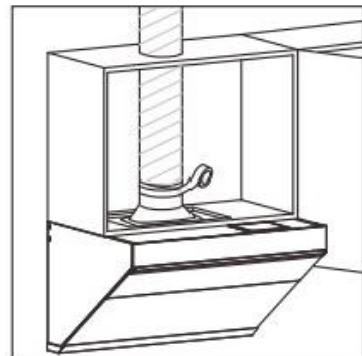
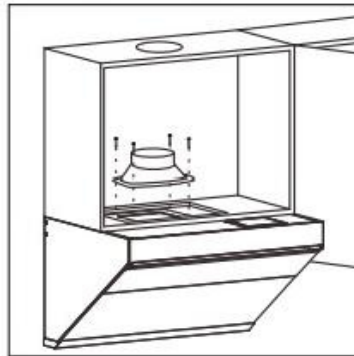
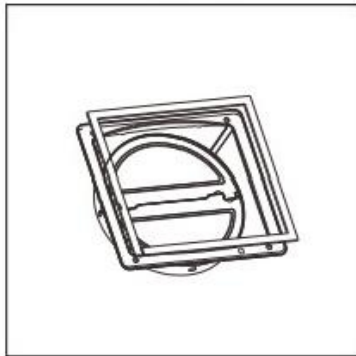


4. Use M5 flat head machine screws sleeved with  $\phi$  16 washers, threaded through the holes on the cabinet, then install it into the screw holes on the top of the unit to fix the unit to the cabinet (2 screws on each side).



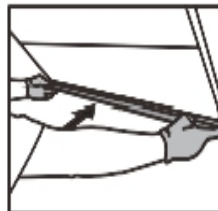
5. Put a sponge sealing strip on the bottom of the air outlet along the edge, and use 4 pcs M4x12mm air outlet screws to fix the air outlet to the top the range hood.

6. Fix the exhaust pipe on the air outlet, and seal the connection gap with heat-resistant insulating tape.



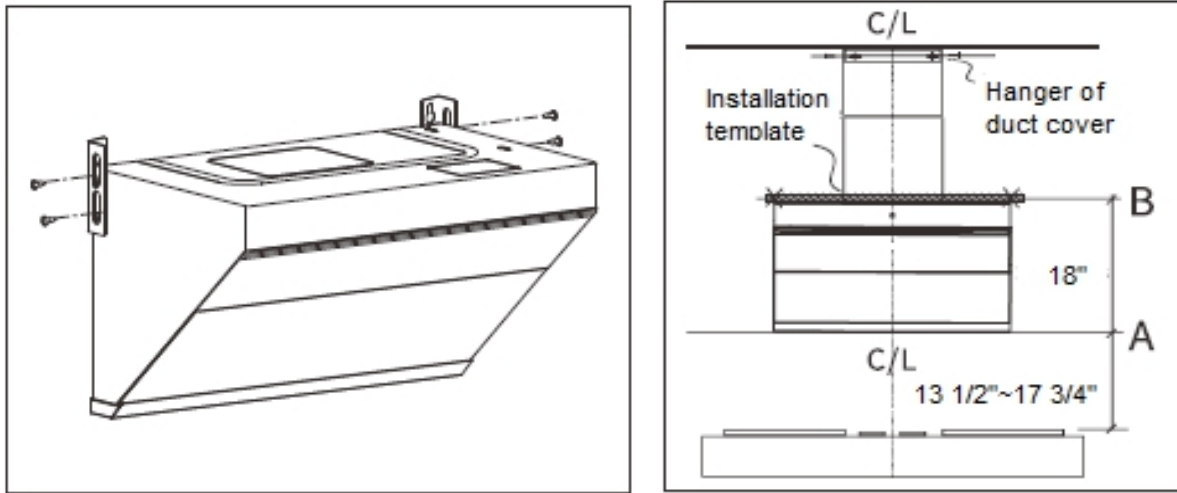
7. The range hood must be kept horizontal. The install the oil collector. Then plug into the power supply to test the range hood.

**NOTE:** After sealing the connection gap with the heat-resistant insulating tape, please turn on the range hood to check whether there is air leakage, and try to straighten the exhaust pipe.



### B. Installing to wall with L-shaped angle steel bracket

1. Take out the left and right angle-steel brackets from the accessory box and install them onto the upper sides of the rear of the range hood with M5 x13 screws.
2. Make sure the strength of the wall must be enough to support the weight of the range hood, and mark the center line of the range hood on the wall.
3. Measure 13 1/2~17 3/4 inches from the cooking surface to the bottom of the range hood, and draw a horizontal baseline A.
4. Mark the installation height line B of the angle steel bracket 18 inches above line A.



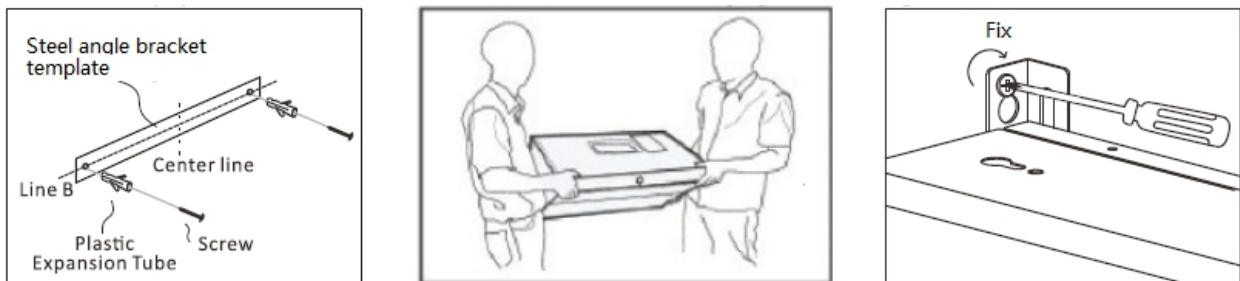
5. Take out the angle bracket template. The vertical center line in the template will align with the range hood center line, and the horizontal center line will align with the line B. Stick it flat on the wall, then drill holes in the drilling positions. and insert plastic expansion tubes in the holes, install 4x40mm screws.

**NOTE:** Gaps of 1/8~1/4 between screws head and the wall must be left.

6. Lift the range hood horizontally and hang it by the steel angle bracket on the screws in the wall. After the whole range hood is installed, fix the screws until they are fully tightened.

**NOTE:** Two people are need to install this range hood for safety.

**NOTE:** The hood should not tilt horizontally or vertically when hanging it on wall.



7. Put a sponge sealing strip on the bottom of the air outlet along the edge, and use 4 pcs M4x12mm air outlet screws to fix the air outlet to the top the range hood.
8. Fix the exhaust pipe on the air outlet, and seal the connection gap with heat-resistant insulating tape.



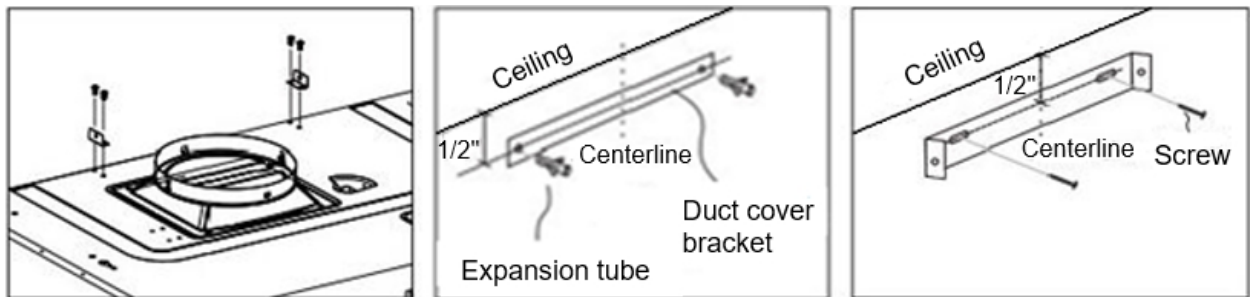
9. The range hood must be kept horizontal. The install the oil collector. Then plug into the power supply to test the range hood.

**NOTE:** After sealing the connection gap with the heat-resistant insulating tape, please turn on the range hood to check whether there is air leakage, and try to straighten the exhaust pipe.

10. Install the lower duct cover brackets on the top of range hood.

**NOTE:** The duct covers are optional parts, and not included in standard accessory.

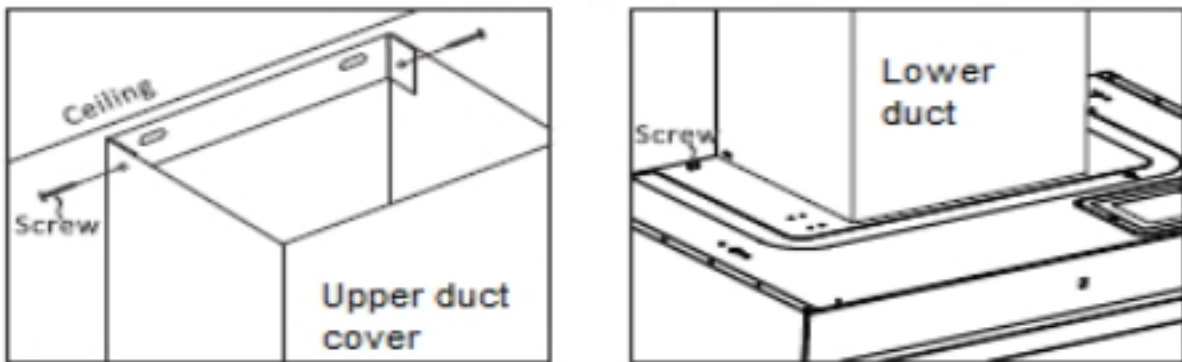
11. Paste the duct cover bracket template on the wall (The vertical center line is aligned with the range hood center line, and the horizontal center line is away from the ceiling 1/2 inches). Then drill 2 holes in wall according to the drilling position in template and insert the plastic expansion tubes in the holes.



12. Install the upper duct cover bracket on the wall with 4x40mm screws.

13. Tear off the protective film from the surface of the range hood, and the upper and lower duct covers.

14. Install the upper duct cover on the duct cover bracket with screws. And install the lower duct cover on the fixing pieces on the hood top with screws. (Duct cover is **NOT** included, need to order it separately)



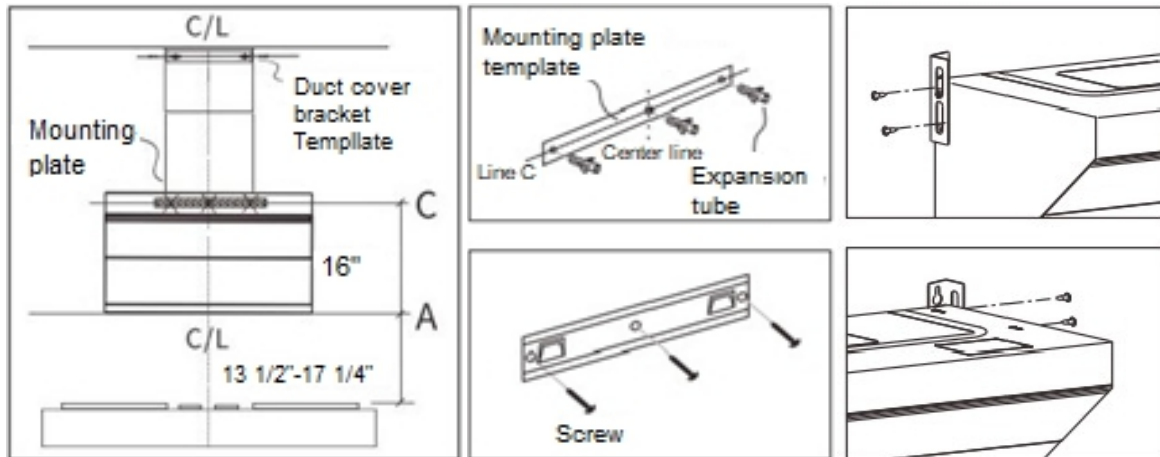
### C. Installing the range hood on back wall by mounting plate and steel angle brackets (Not install under cabinet)

1. Make sure the strength of the wall must be enough to support the weight of the range hood, and mark the center line of the range hood on the wall.
2. Measure 13 1/2~17 3/4 inches from the cooking surface to the bottom of the range hood, and draw a horizontal baseline A.
3. Draw a horizontal line C 16 inches up from line A as the positioning line for the mounting plate.



- Stick the installation template on the wall, the vertical center line aligns with the center line of the range hood, and the horizontal center line align with the line C. Then drill the holes in the wall at the drilling position of template, and insert the expansion tubes in the hole.
- Install the mounting plate on the wall with 4x40mm screws.
 

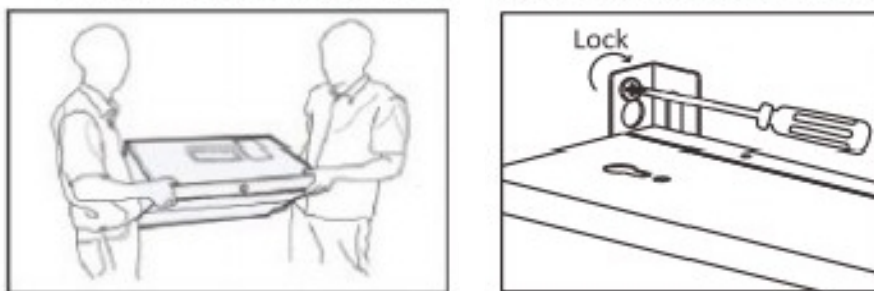
**NOTE:** To avoid unable to support the range hood, the mounting plate must have at least one screw to be fixed on the wooden post.
- Install the left and right angle-steel brackets onto the upper sides of the rear of the range hood with M5 x13 screws.



- Lift the range hood horizontally and hang on the mounting plate on the wall. . After the whole range hood is positioned, use 4X40mm wood screws to fix the steel angle brackets on the left and right sides to the wall. Lift the range hood horizontally and hang on the mounting plate on the wall. . After the whole range hood is positioned, use 4X40mm wood screws to fix the steel angle brackets on the left and right sides to the wall.

**NOTE:** Two people are need to install this range hood for safety.

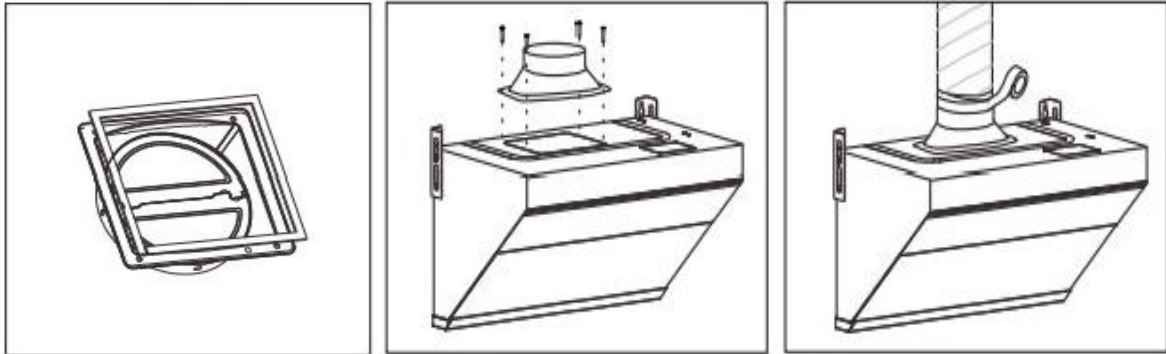
**NOTE:** The hood should not tilt horizontally or vertically when hanging it on wall.



- Put a sponge sealing strip on the bottom of the air outlet along the edge, and use 4 pcs M4x12mm air outlet screws to fix the air outlet to the top the range hood.

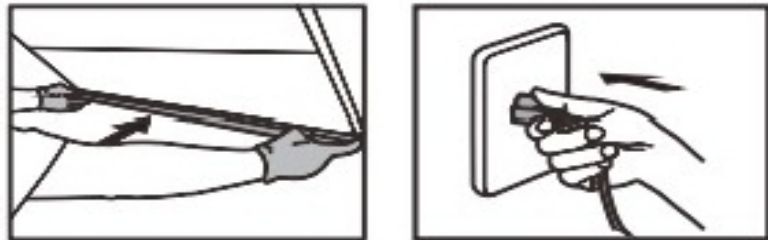


9. Fix the exhaust pipe on the air outlet, and seal the connection gap with heat-resistant insulating tape.



10. The range hood must be kept horizontal. Then install the oil collector. Then plug into the power supply to test the range hood.

**NOTE:** After sealing the connection gap with the heat-resistant insulating tape, please turn on the range hood to check whether there is air leakage, and try to straighten the exhaust pipe.

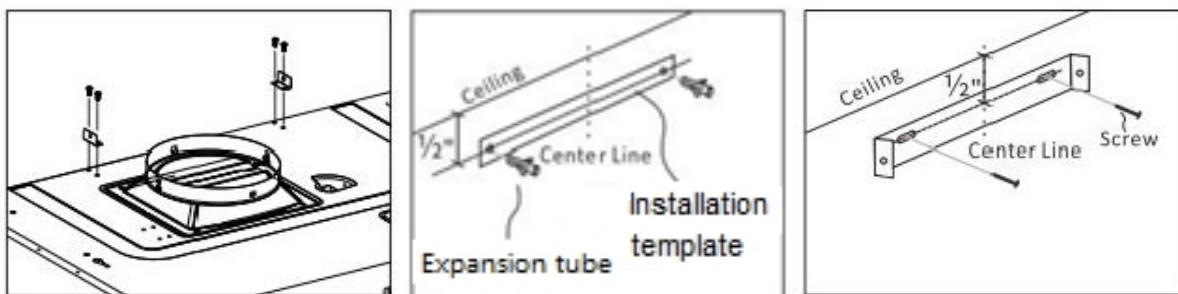


11. Install the lower duct cover brackets on the top of range hood.

**NOTE:** The duct covers are optional parts, and not included in standard accessory.

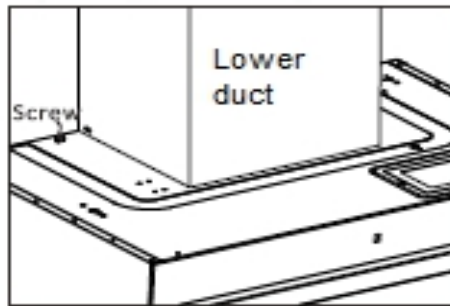
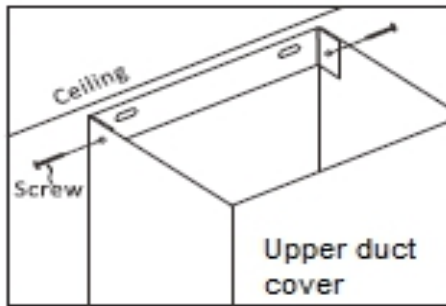
12. Paste the installation template on the wall (The vertical center line is aligned with the range hood center line, and the horizontal center line is away from the ceiling 1/2 inches). Then drill 2 holes in wall according to the drilling position in template and insert the plastic expansion tubes in the holes.

13. Install the upper duct cover bracket on the wall with 4x40mm screws.



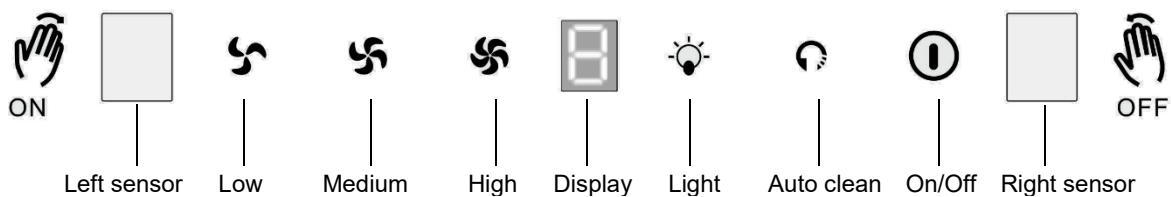
14. Tear off the protective film from the surface of the range hood, and the upper and lower duct covers.


15. Install the upper duct cover on the duct cover bracket with screws. And install the lower duct cover on the fixing pieces on the hood top with screws. (Duct cover is **NOT** included, need to order it separately)




## OPERATION INSTRUCTION

Control panel:



-  On/Off button:

This is the main control button. In the power on state, touch , the upper glass will automatically turn on, the lighting will turn on, and the unit will enter standby mode. Touch this button again unit will automatically turn off the upper glass, turn off the lighting, and enter the off state.

In the running mode, touch this button to turn off the unit with a delay of 3 minutes, the display screen will display a countdown timer for 3 minutes, and it will be automatically turn off after the countdown is completed.

-  High speed:

When the range hood is in standby (not running) or running at other speed level, press this button to change unite to run at high-speed level, and the display screen shows 3, touch it again to stop the unit running.

-  Medium speed:

When the range hood is in standby (not running) or running at other speed level, press this button to change unite to run at medium-speed level, and the display screen shows 2, touch it again to stop the unit running.

-  Low speed:

When the range hood is in standby (not running) or running at other speed level, press this button to change unit to run at low-speed level, and the display screen shows 1, touch it again to stop the unit running.

-  Lighting:

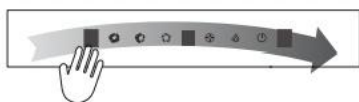
In the power on state and standby mode, the lighting can be turned on/off independent.

-  Auto clean:

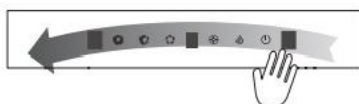
When the power on state, no matter the unit is running or not, touch this button for 5 seconds, the indicator light will flash, the upper glass will automatically close, the display screen will display a countdown timer for 9 minutes. After the countdown end, the upper glass will open and unit run at low speed for 1 minute, then auto clean is finished. There will be a beep and unit turn off automatically.

**How to control the range hood by gesture:** You can change the fan speed levels or turn on/off range hood with gestures without touching it.

- **Turn on the range hood by gesture:** In the standby mode (power on), wave use your hand from the left to the right to pass the sensor. The upper glass will automatically open, and the range hood will run at low speed, and the lighting will automatically turn on.



- **Turn off the range hood by gesture:** Wave your hand from right to the left to pass the sensor, The range hood will turn off delay 3 minutes. Wave your hand from right to the left to pass the sensor 2 times, The range hood will turn off, and the upper glass will automatically close, the lighting will be turned off.



- **Change the speed levels by gesture:** When range hood is running, wave your hand from the left to the right to pass the sensor, the speed level will change in circularly: medium→high→low→medium.

**NOTE:** Hand should be at a distance of 3 to 5cm from the front of the control panel.

**NOTE:** To complete an effective control action, the hand must completely brush right and left sensors at one time.

## MAINTENANCE

- **Regular Cleaning**

**WARNING:** Before cleaning turn the unit off and unplug the power plug.

1. After use, please use a dry towel or a rag moistened with neutral detergent to wipe the surface of hood. Clean it frequently to maintain its beauty, hygiene and sensitivity.

**TIPS:** The filter have easy-to-clean coating, which is free of disassembly to wash, but do not use an iron brush to clean it to avoid scratching coating.

2. It is recommended to clean the glass and filter surface once every time you cook, and run the auto clean at least once a week.

**WARNING:** For maintenance, please contact professionals for service, and non-professionals are prohibited from disassembling.

- **Emptying dirty oil in oil collector**

The oil collector should be taken out regularly to remove the dirty oil, and be cleaned.

**WARNING:** Oil will drip onto the cooking top if the oil collector was not installed in place.

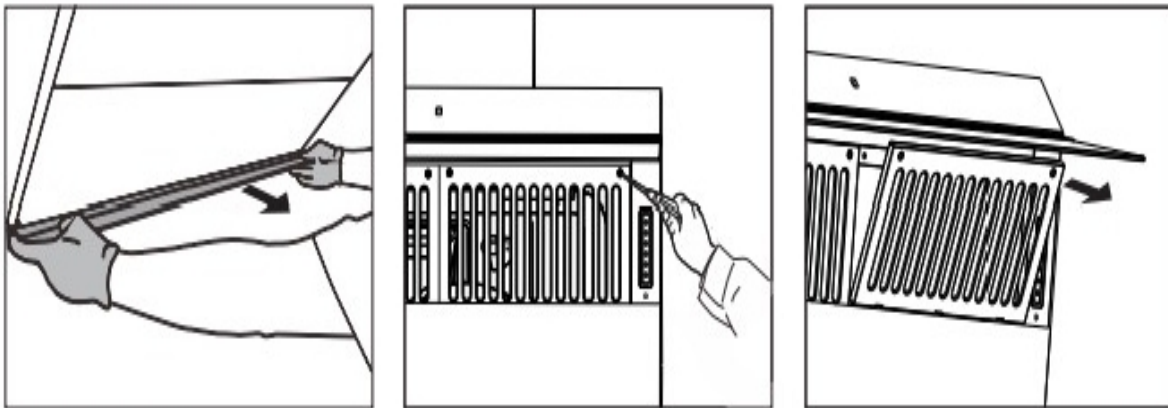
- **Removing and installing filters**

A. Unplug the power plug.

B. Removing: Use a screwdriver to remove the screws, and remove the filters according to the direction shown in the figures.

C. Installing: Put filter back as below figures and fix it in place after cleaning.

**WARNING:** Do not run the range hood without installing the filters.



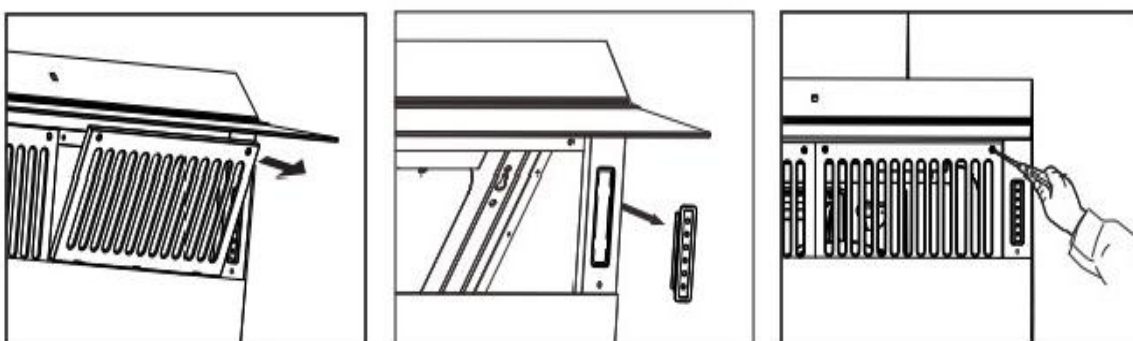
- **LED light replacement**

1. Remove the filters.

2. Disconnect the LED light connector and remove the LED light.

3. Replace the LED with a new one, then connect the LED connector and install it in place,

4. Install the filters.



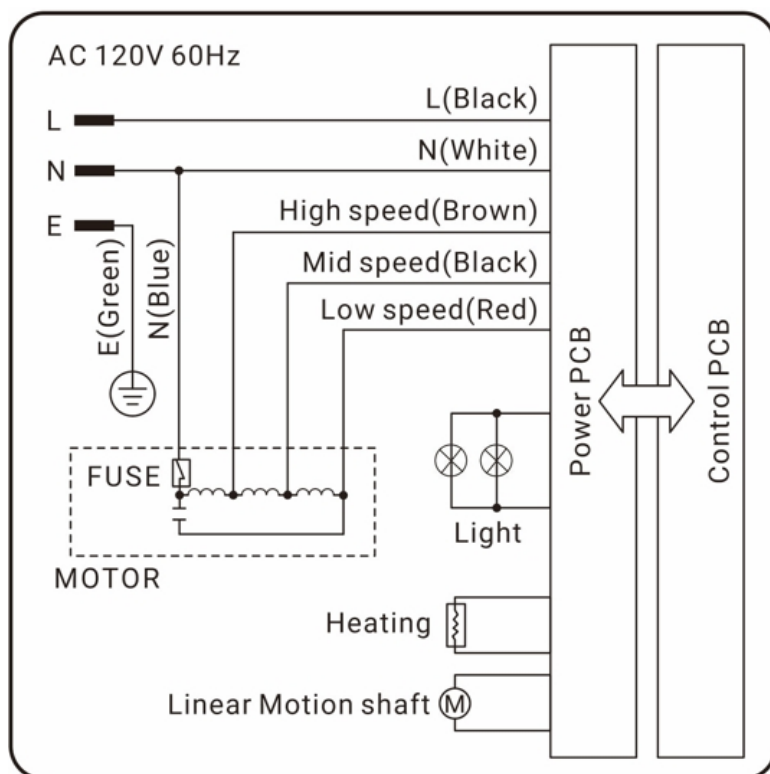
## ROUBLE-SHOOTING

<b>Problem</b>	<b>Possible cause</b>	<b>Solution</b>
Hood doesn't work	Electric Supply	Check that the hood is plugged into a receptacle.
		Check that the power is turned on.
Motor doesn't work	Motor failed.	Replace a new motor.
	The motor temperature is too high, the heat protection is activated, and the motor stops working.	The motor will resume operation after cooling for 30 minutes.
	Capacitor failed.	Replace a new capacitor.
	Control PCBA or power PCBA was failed.	Replace the PCBA.
Poor Airflow	The distance between the range hood and the surface of the stove is too large.	The height from the surface of the cooking surface to the top of the range hood should be between 29 - 32 1/2 inches.
	There are many doors and windows around the range hood opened,	Close windows and doors surrounding the hood.
	The air outlet or duct is blocked	Remove the blockage.
	4. There is outside wind backflow at the air outlet	4. Change the direction of the air outlet and air duct.
	5. Using the wrong duct size.	5. Replace duct with 7 inch or larger size.
Machine vibration	1. The motor is not securely locked.	1. Securely lock the motor.
	2. Damaged blower blades.	2. Replace the blower blades.
	3. The range hood is not locked when installed.	3. Check whether the range hood is indeed locked
Filter vibration	1. The oil filter is not securely locked.	1. Make sure the oil filter is tightly locked.

## PRODUCT SPECIFICATION

Rated Voltage/Rated Frequency	120V/60Hz
Air Outlet Diameter	7 inches
Lighting	LED Light (1.5WX2 pcs)
Heating Film Power Consumption(W)	50
Motor Power (W)	300
Linear Motor Power (W)	10
Total Power (W)	363

## WIRING DIAGRAM



**SNDOAS**

MADE IN CHINA

Xianggang Huanqiu MaoYiDianQiYouXianGongSi

ADD: 13/f room 1318-1320 hollywood plaza 610 nathan road mong kok kowloon hongkong 999077

