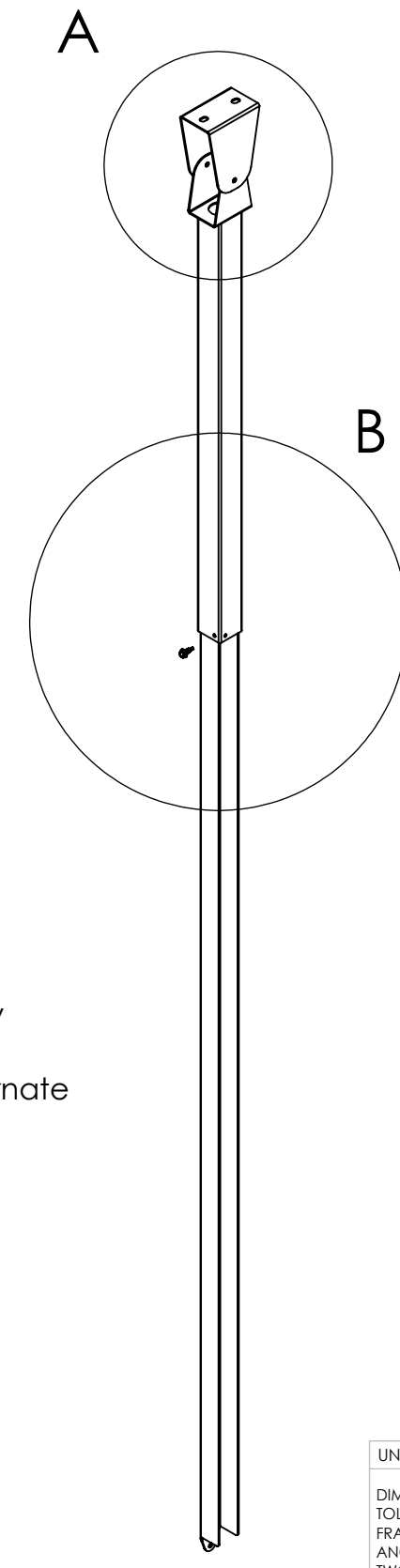
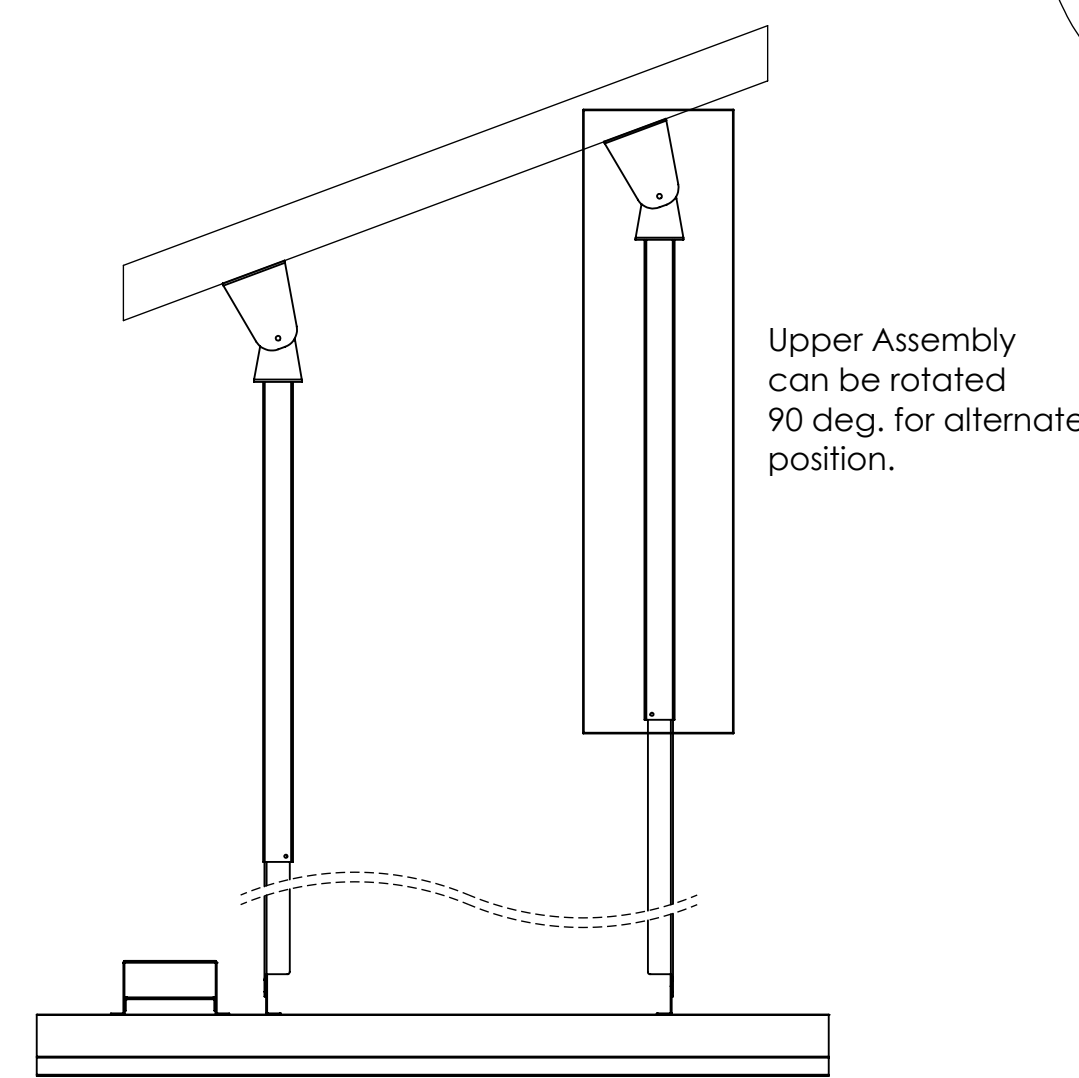
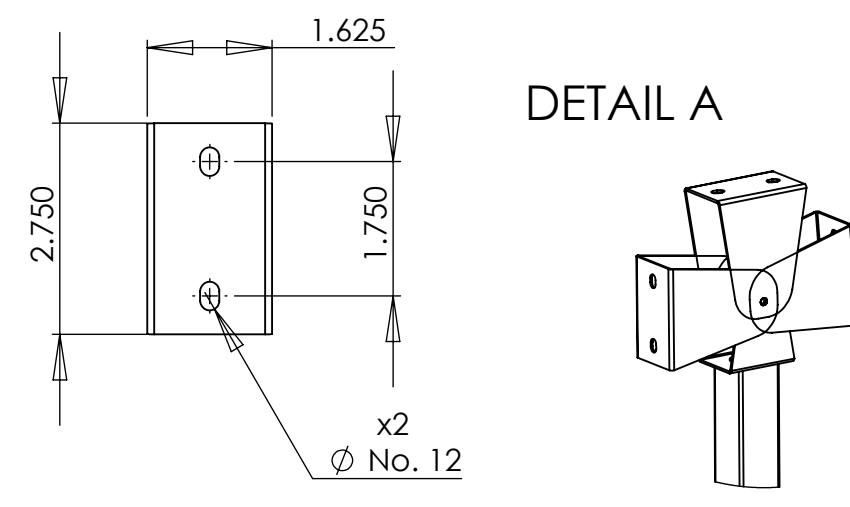


**Ability To Extend**  
 Min: 29.00"  
 Max: 72.00"

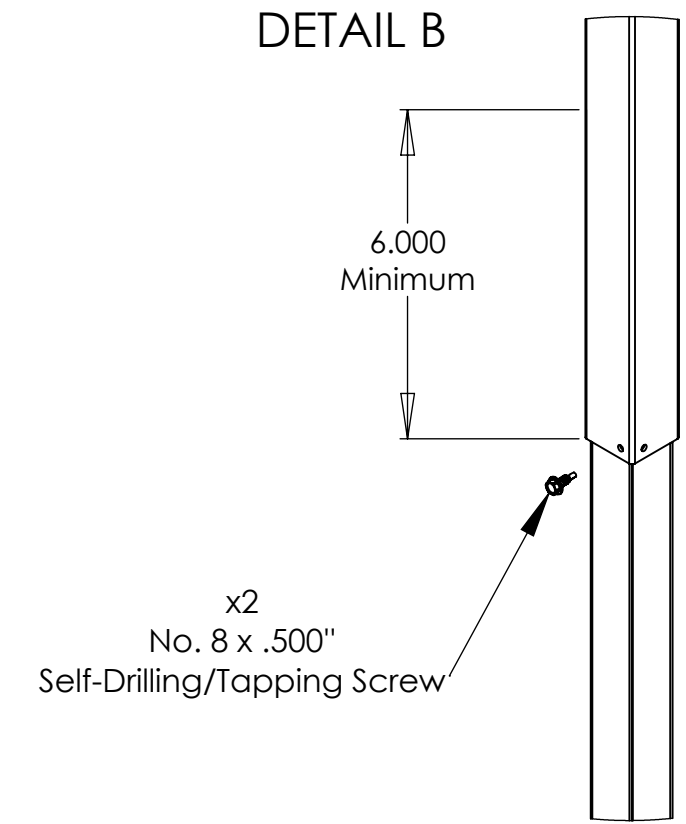


**NOTE:** Maintain 6.00" minimum (See Detail B) of Channel length inside the Down Tube. Channel can be cut to obtain minimum length.

Use the provided (x2) No.8 x .500" Self-Drilling/Tapping Screws to lock Channel to desired length.

\*Available in 8 Standard Colors.

**WARNING:** It is recommended that you do the above step prior to running power or conduit to prevent damage and possible electrical shock.



**PROPRIETARY AND CONFIDENTIAL**  
 THE INFORMATION CONTAINED IN THIS DRAWING IS THE SOLE PROPERTY OF INFRATECH. ANY REPRODUCTION IN PART OR AS A WHOLE WITHOUT THE WRITTEN PERMISSION OF INFRATECH IS PROHIBITED.

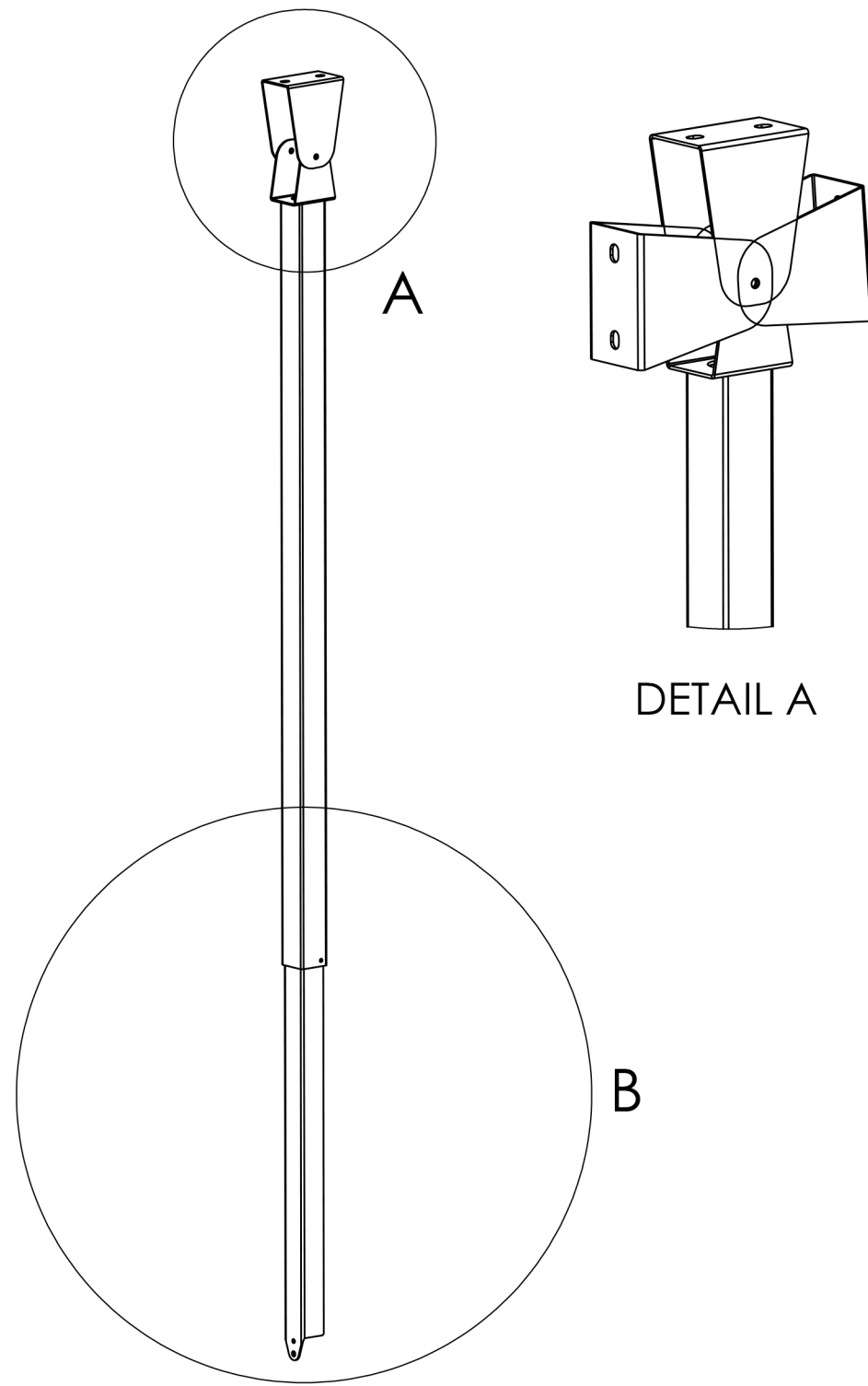
UNLESS OTHERWISE SPECIFIED:		NAME	DATE
DIMENSIONS ARE IN INCHES		DRAWN	O.A 9/20/21
TOLERANCES:		CHECKED	
FRACTIONAL ±		ENG APPR.	
ANGULAR: MACH ± BEND ±		MFG APPR.	
TWO PLACE DECIMAL ±		Q.A.	
THREE PLACE DECIMAL ±		COMMENTS:	
INTERPRET GEOMETRIC TOLERANCING PER:			
MATERIAL			
FINISH			
DO NOT SCALE DRAWING			

**INFRATECH**

TITLE: C/CD - Series Drop Mount Assembly (Extender up to 6ft)

SIZE	DWG. NO.	REV
<b>B</b>		

SCALE: N/A WEIGHT: SHEET 1 OF 1



**NOTE:** Maintain 6.00" (minimum) of Channel length inside the Down Tube.

Use the provided (x2) No.8 x .500" Self-Drilling/Tapping Screws to lock Channel to desired length.

It is recommended that you do the above step prior to running power or conduit to prevent damage and possible electrical shock.

