

Broil King®

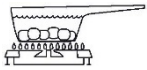
ASSEMBLY MANUAL & PARTS LIST - MANUEL DE MONTAGE & LISTE DE PIÈCES - MANUAL DE ARMADO Y LISTA DE PARTES



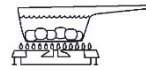
Broil King.
BARON 320 PRO
8742-14
8742-17
BARON 320
8742-54
8742-57



Broil King.
BARON S 320 PRO
8743-14
8743-17
BARON S 320
8743-54
8743-57



Broil King.
BARON 340 PRO
8742-24
8742-27
BARON 340
8742-64
8742-67



Broil King.
BARON S 340 PRO
8743-24
8743-27
BARON S 340
8743-64
8743-67


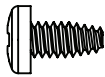
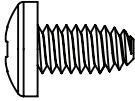
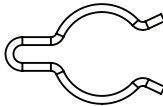
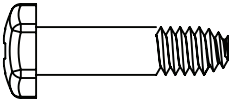
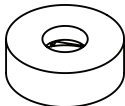
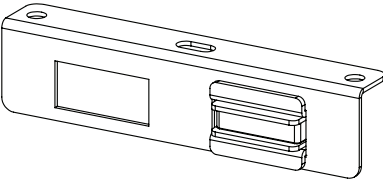
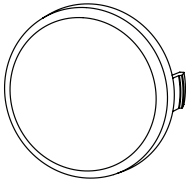
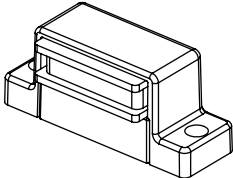
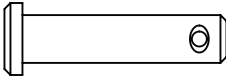
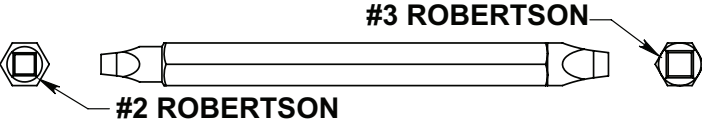
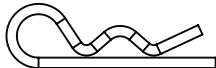

RETAIN FOR FUTURE REFERENCE - VEUILLEZ CONSERVER POUR REFERENCE ULTERIEURE - CONSERVER PARA FUTURAS CONSULTAS

Onward
MANUFACTURING COMPANY
SINCE 1906
585 KUMPF DRIVE LIMITED
WATERLOO, ONTARIO, CANADA
N2V 1K3

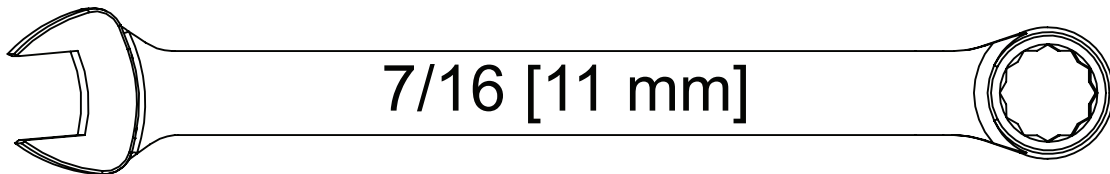
info@omcbbq.com
1-800-265-2150

50084-E60 REV C 10/20

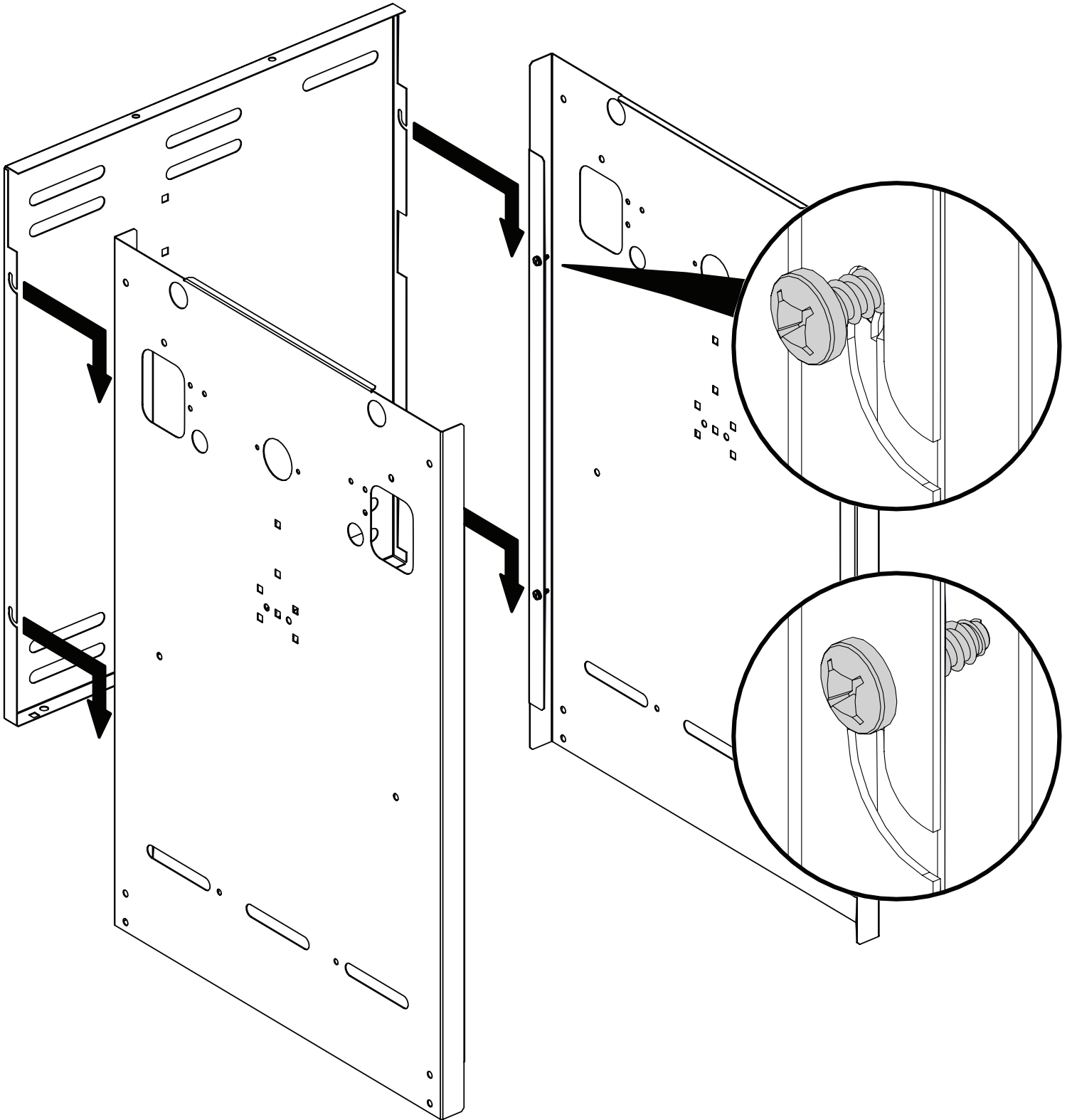
HARDWARE INCLUDED / MATERIAL INCLUS

S21124		(8)	Y-29304		(2)
Y-12865		(18)	Y-11230		(1)
Y-11551		(1)	Y-12124		(1)
56039-211A		(1)	32001-151		(4)
Y-12234		(1)	S21235		(2)
	 <p>#2 ROBERTSON</p> <p>#3 ROBERTSON</p>		S21233		(2)
20005-000					(1)

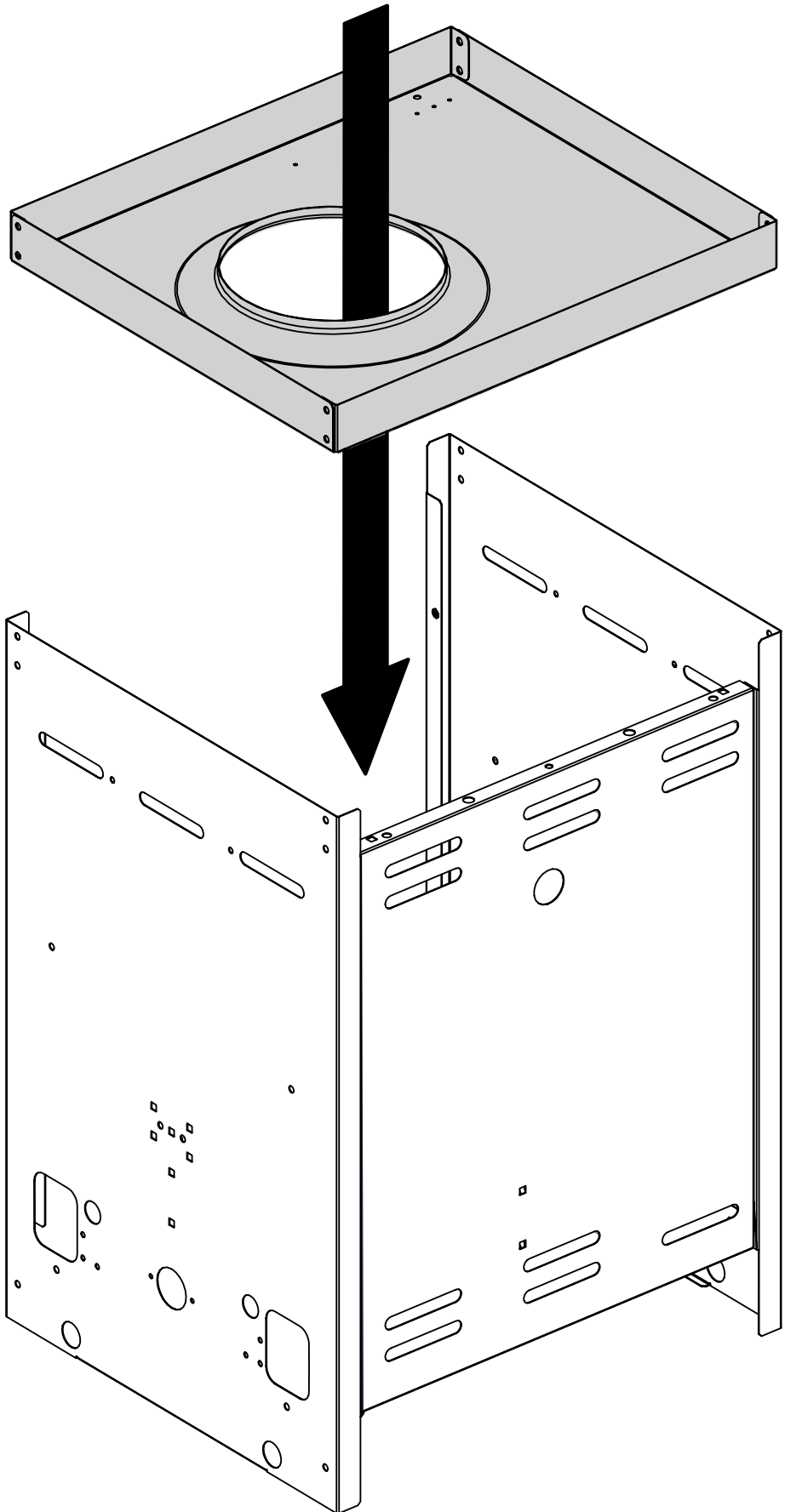
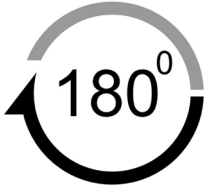
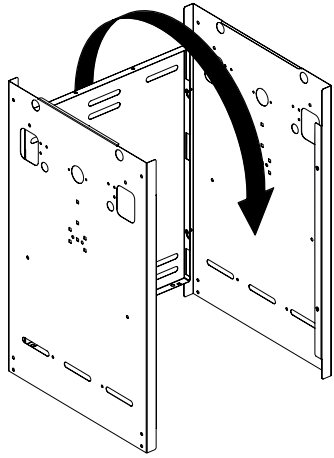
TOOLS REQUIRED / OUTILS NECESSAIRES




1

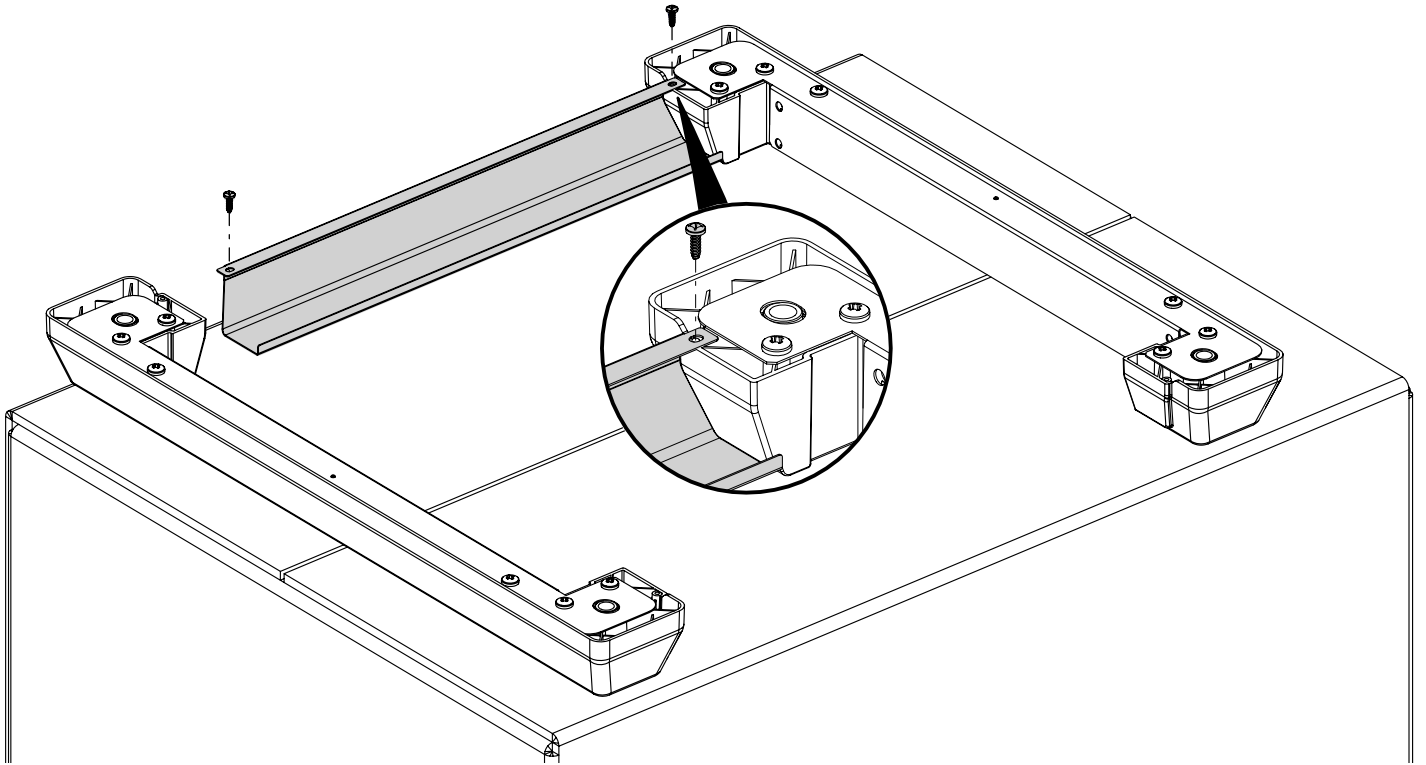


2

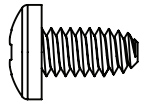


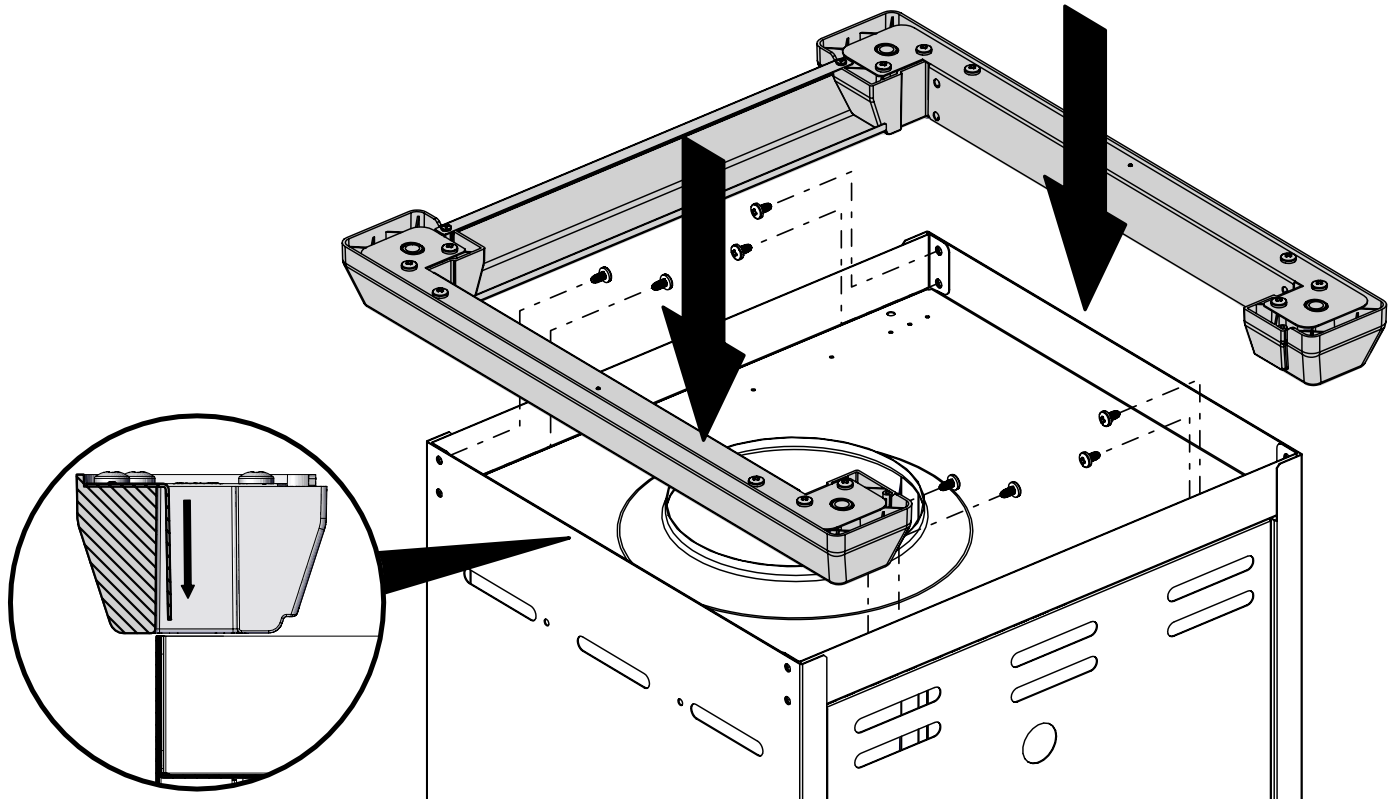
3

(2) 



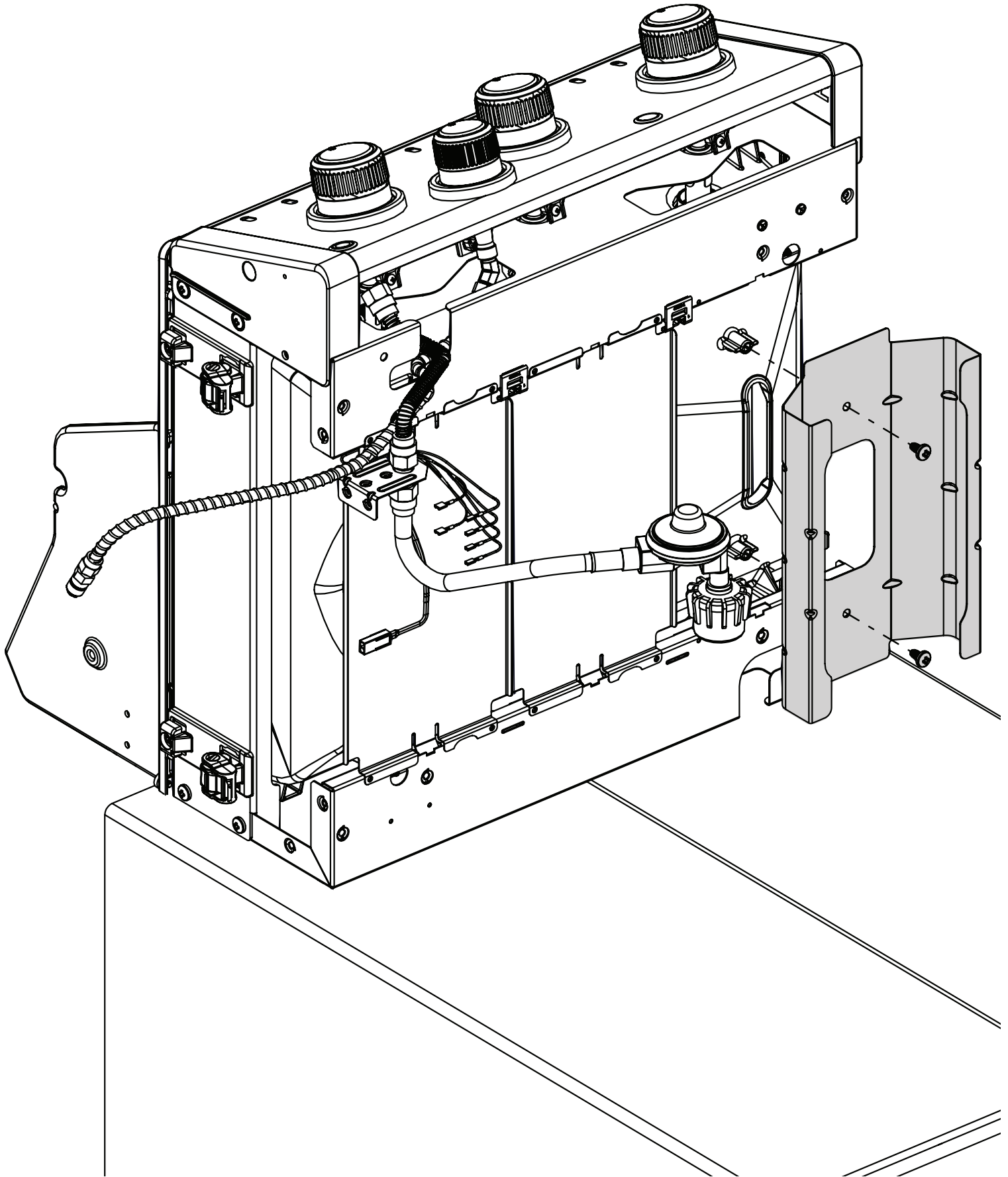
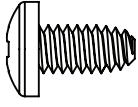
4

(8) 



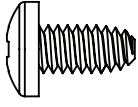
5

(2)

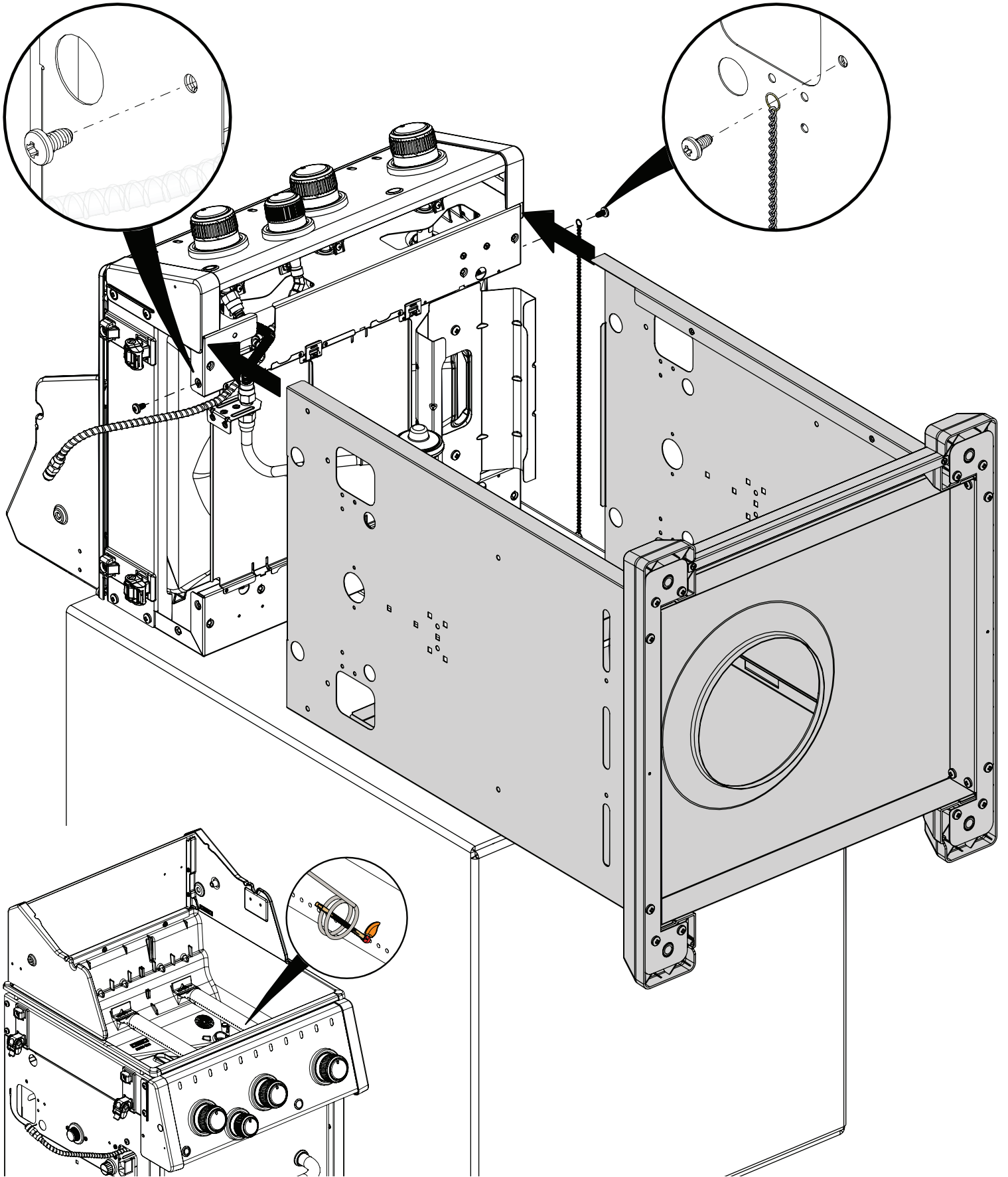


6

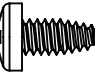
(2)

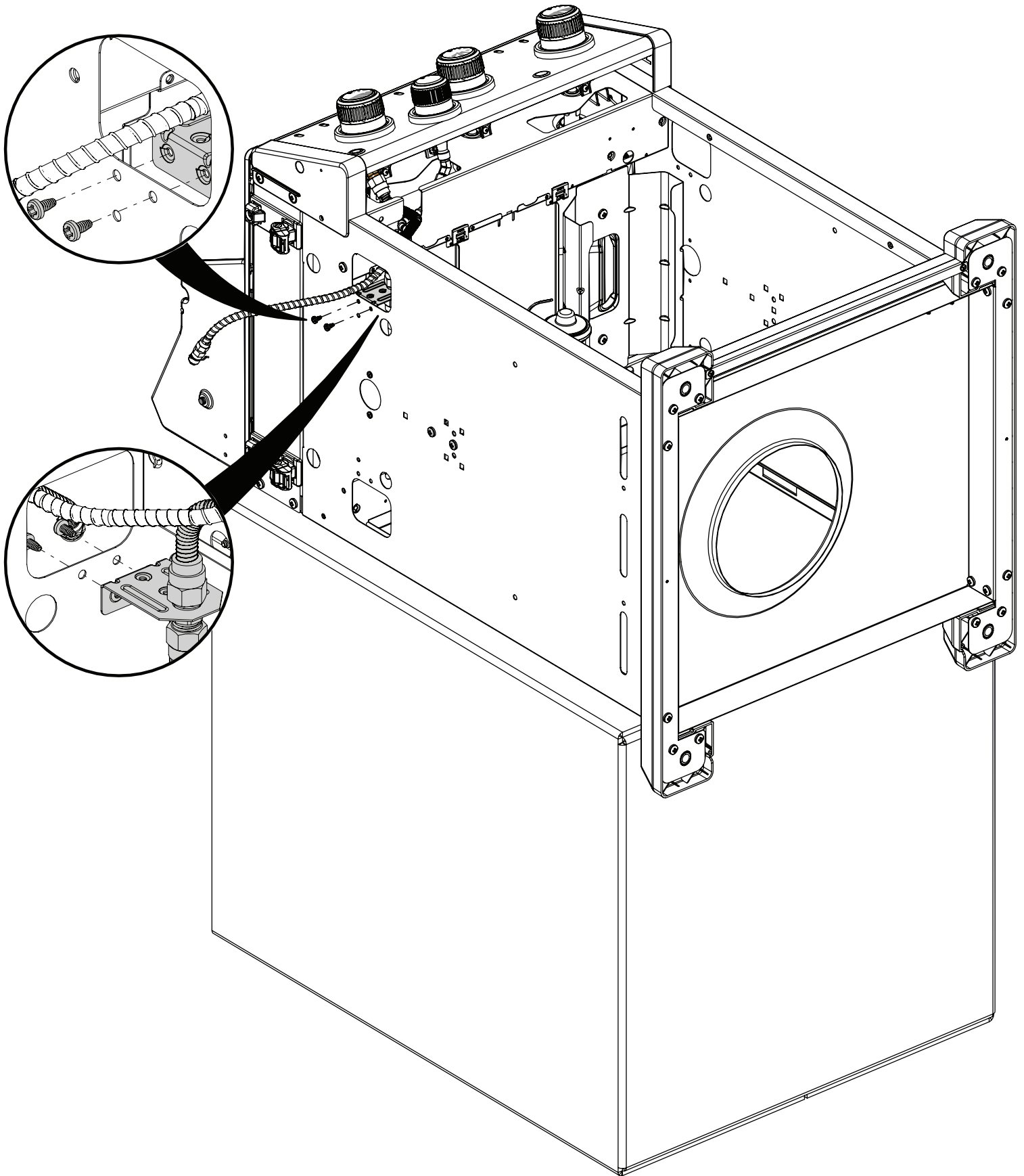


(1)




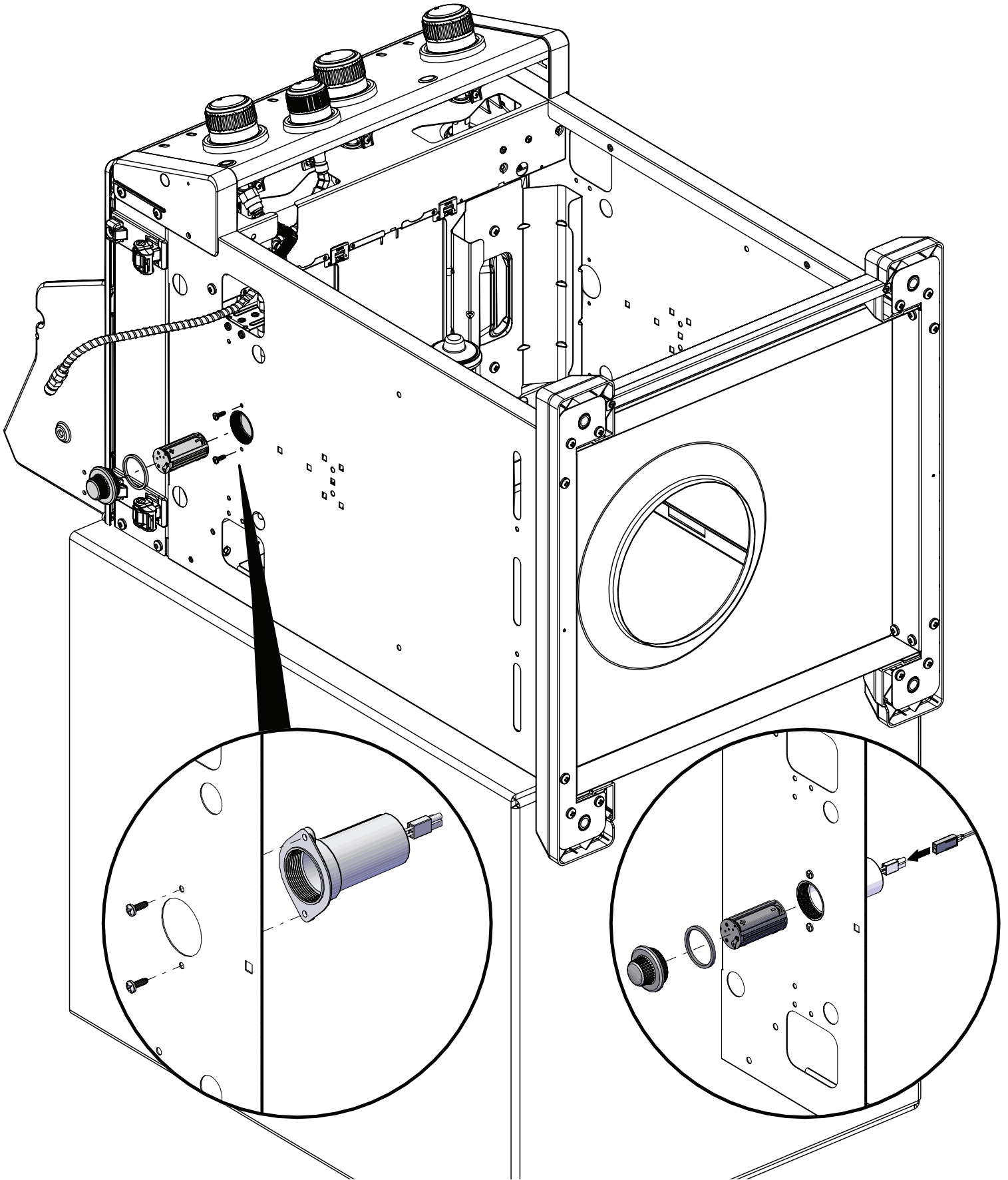
7

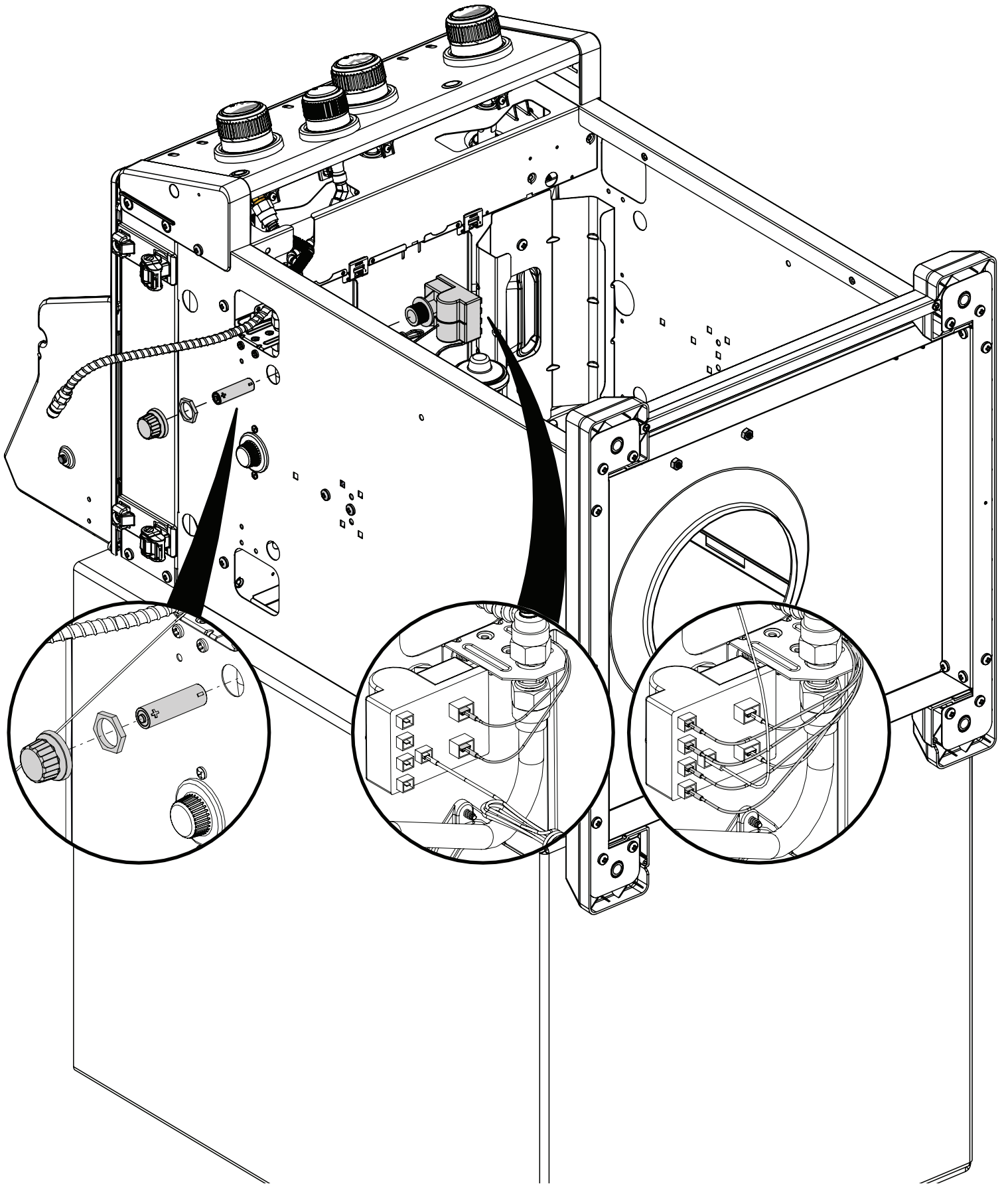
(2) 




8

(2) 

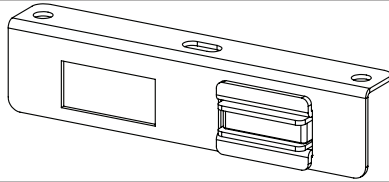




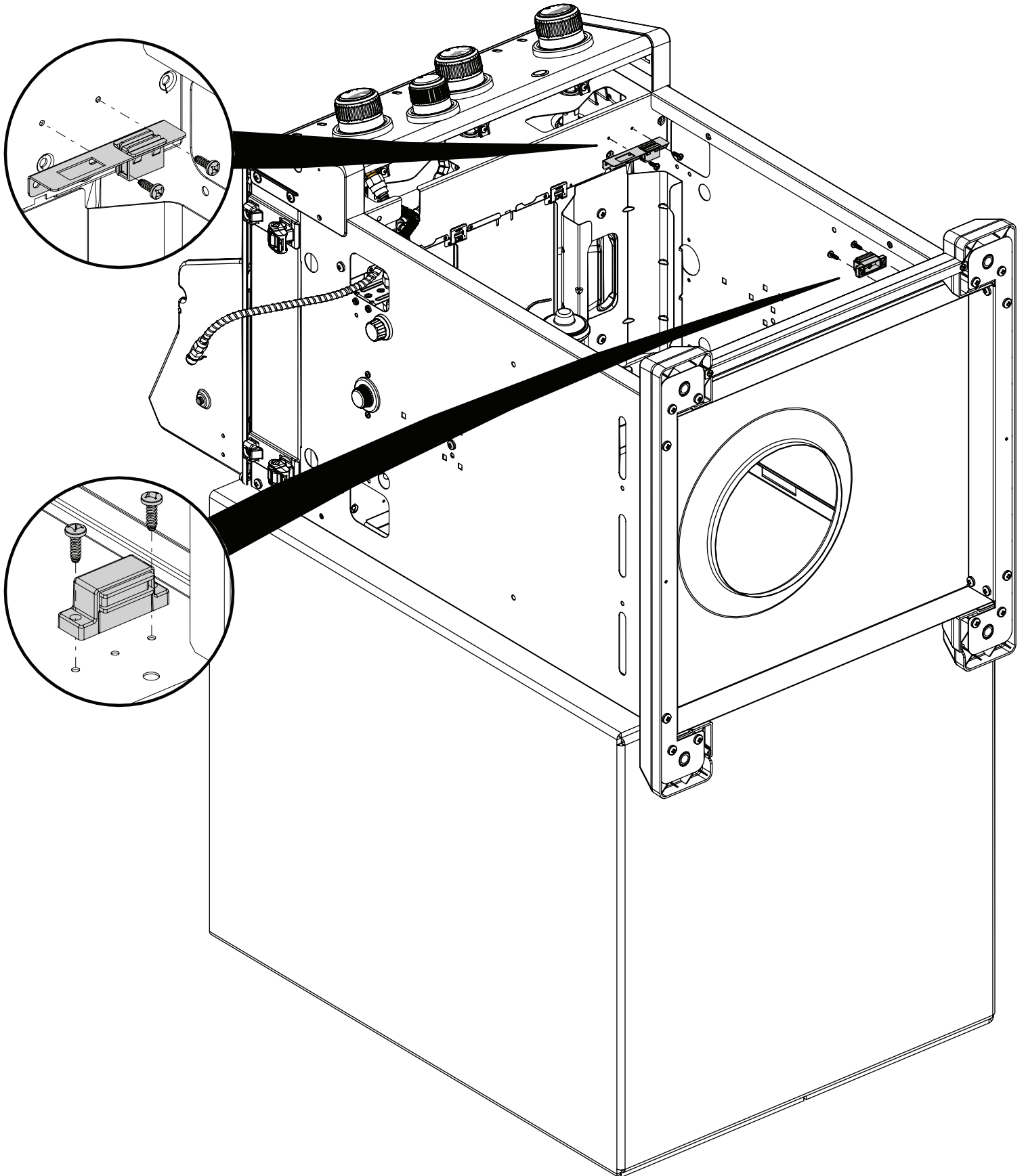
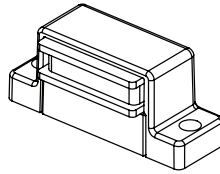
10

(4) 

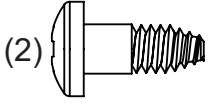
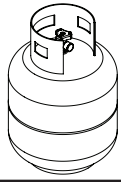
(1)



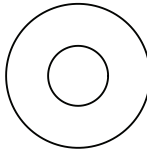
(1)



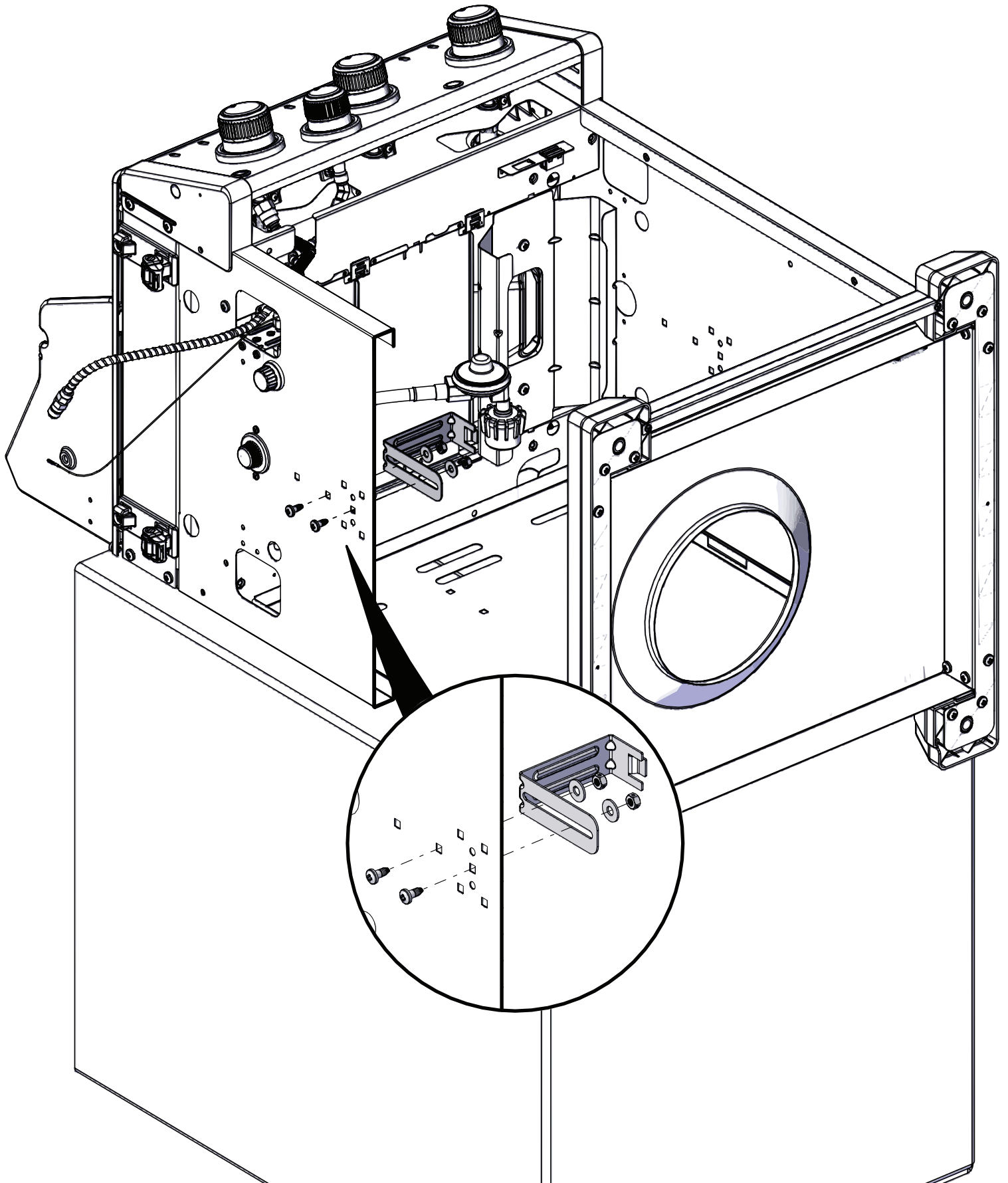
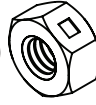
11



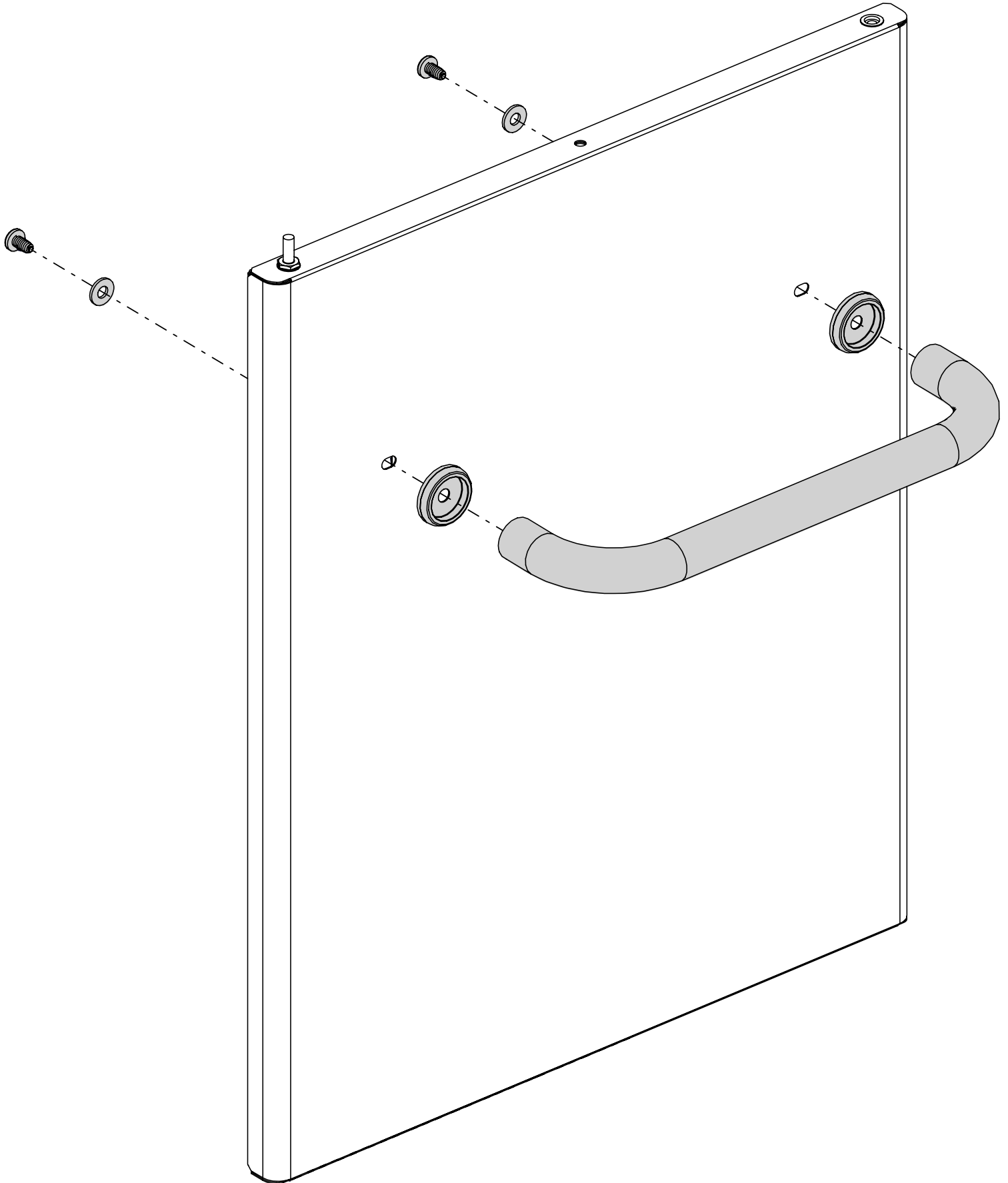
(2)



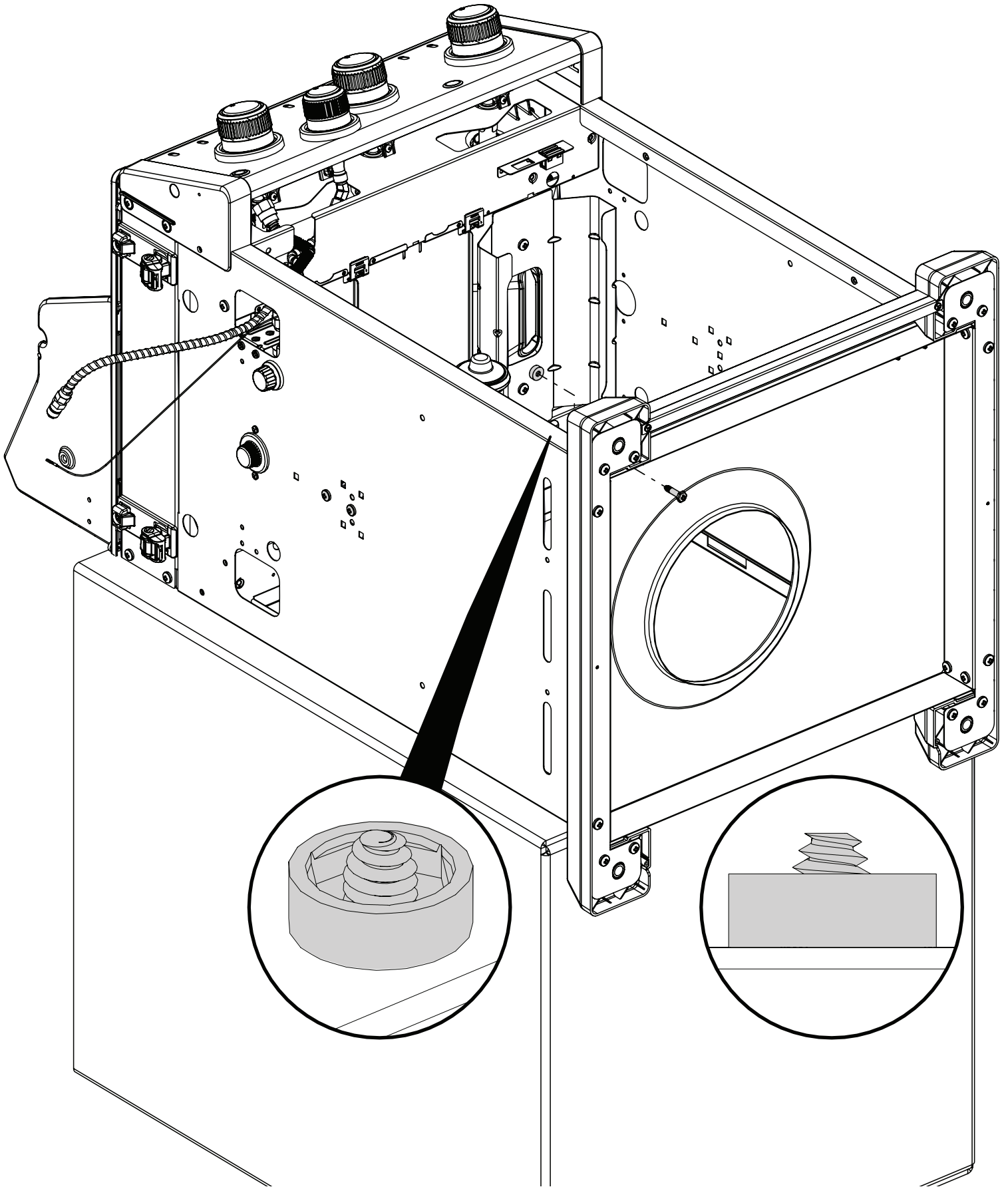
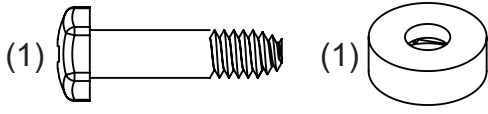
(2)

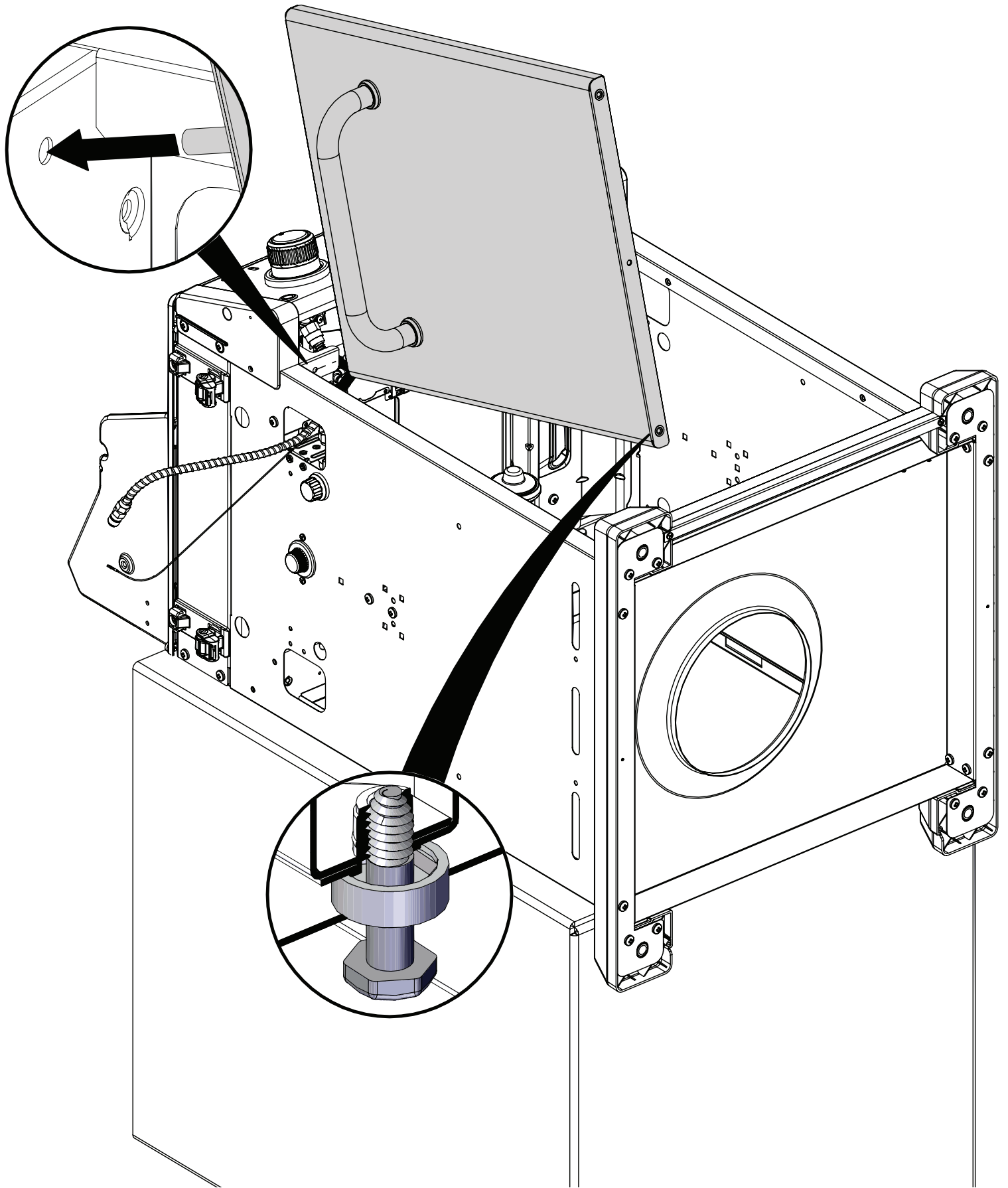


12



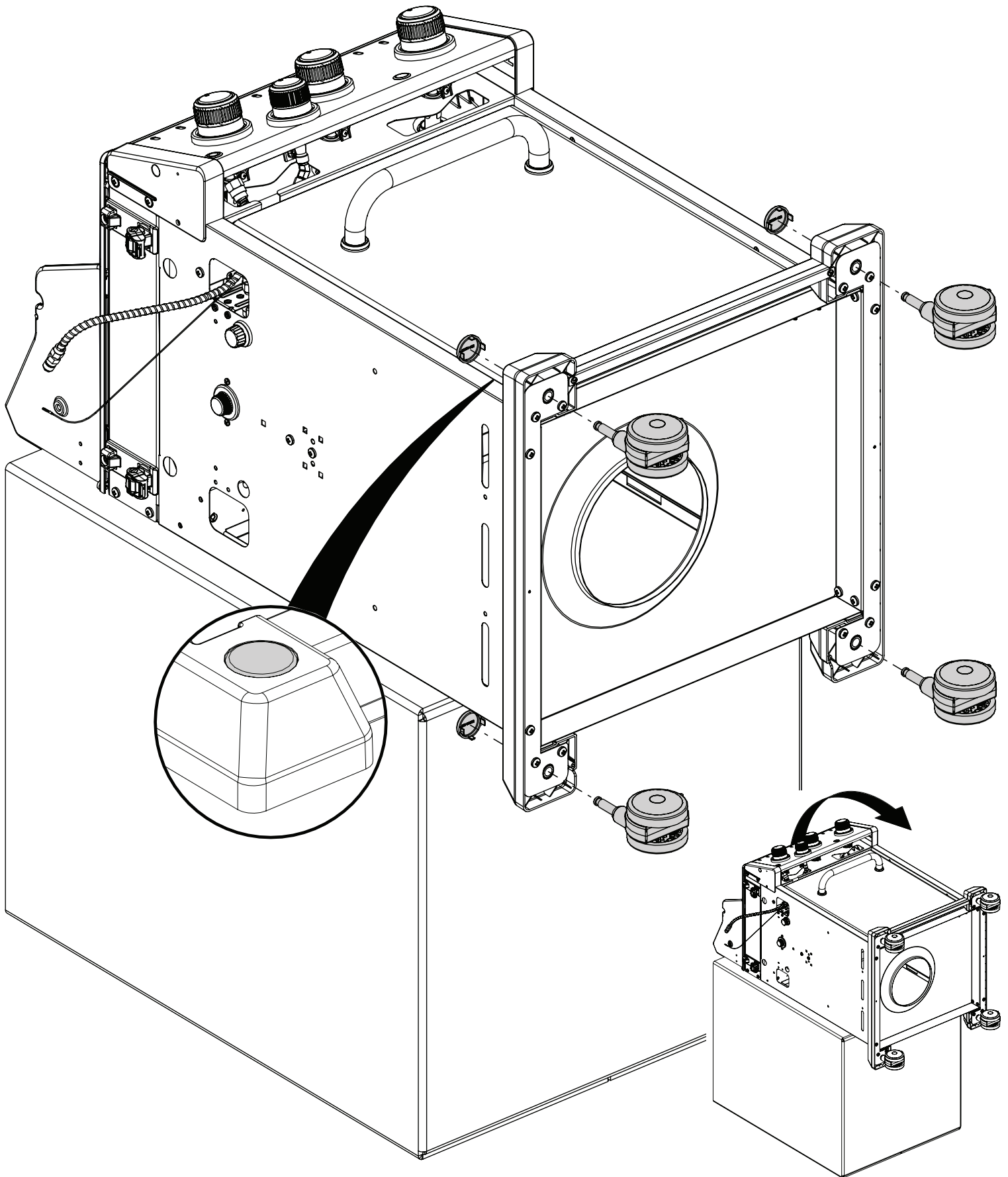
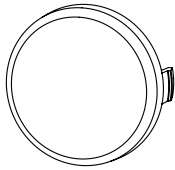
13





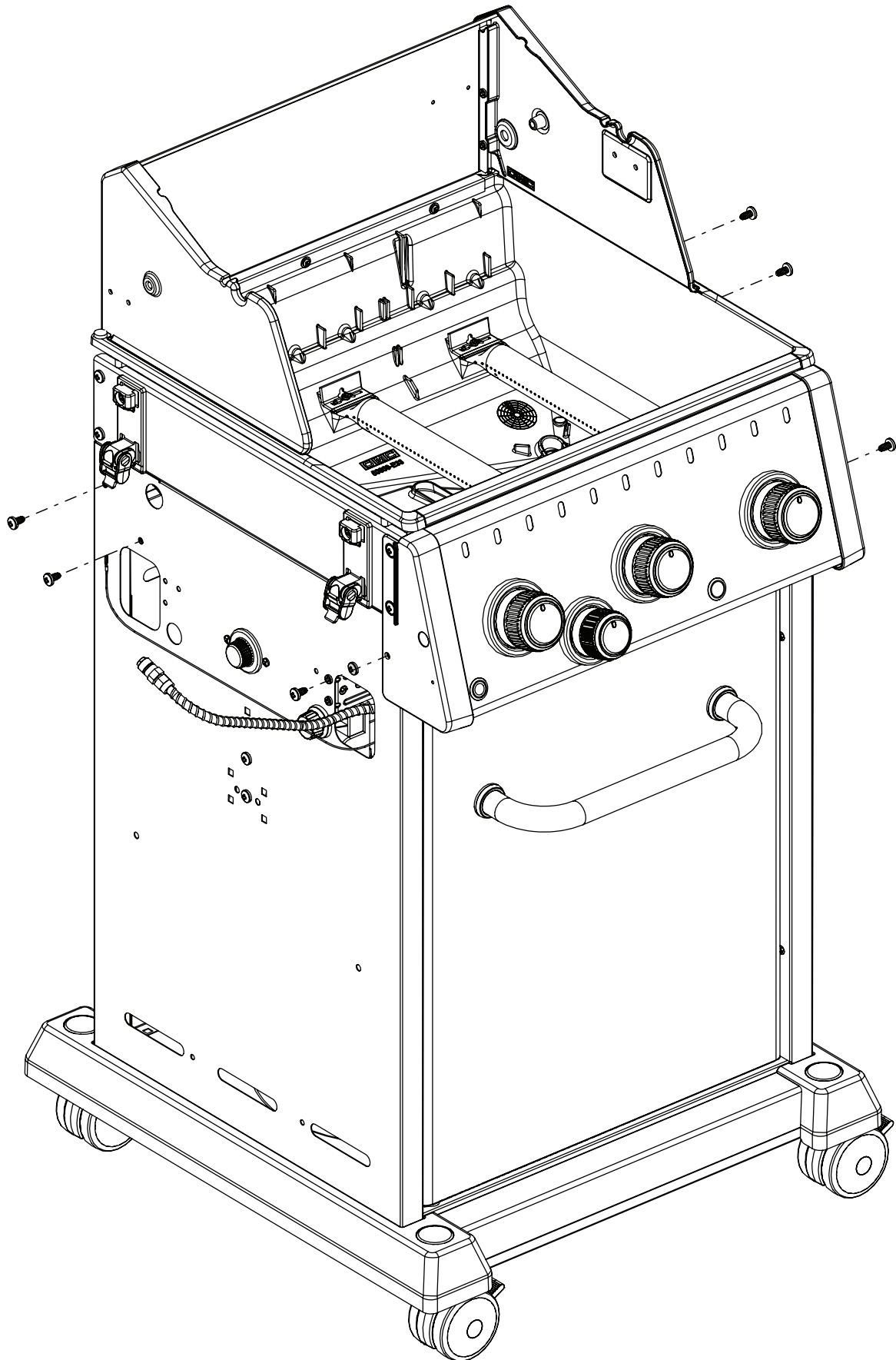
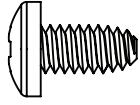
15

(4)

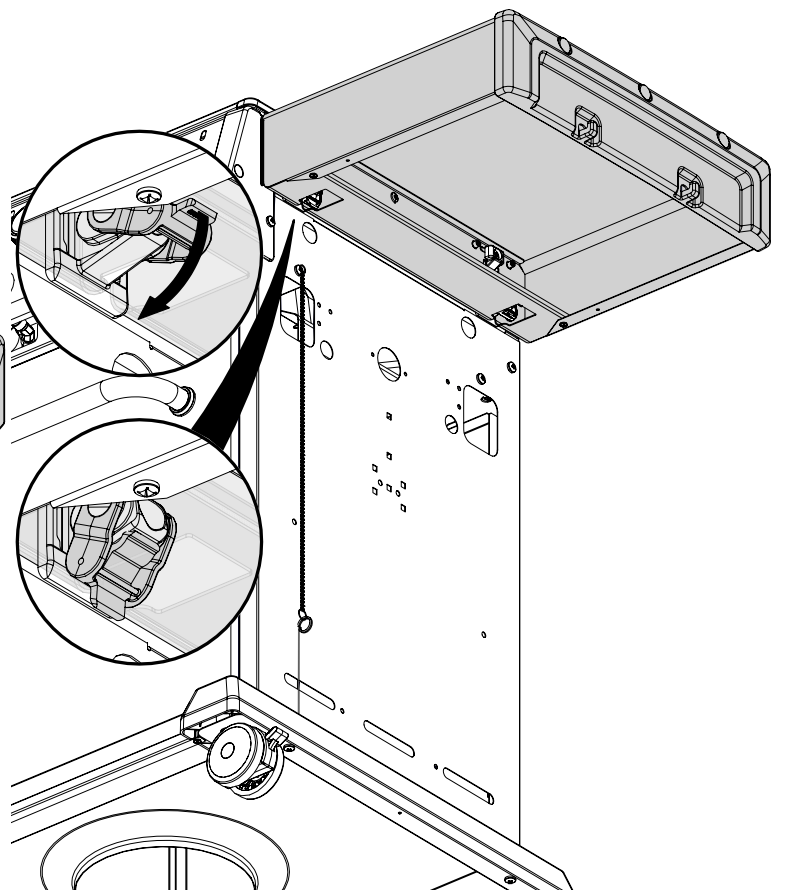
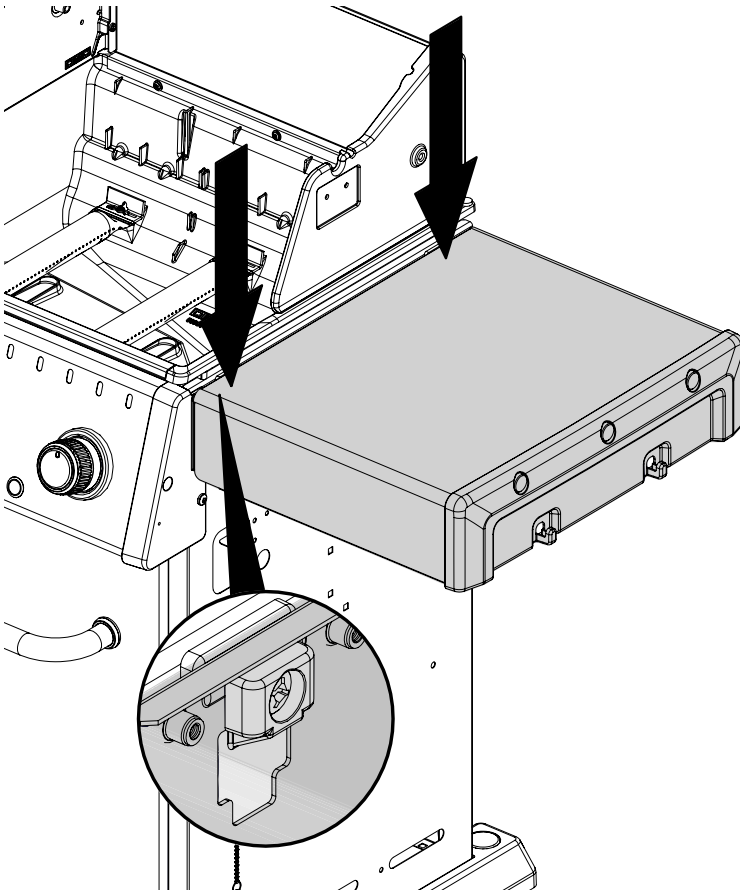
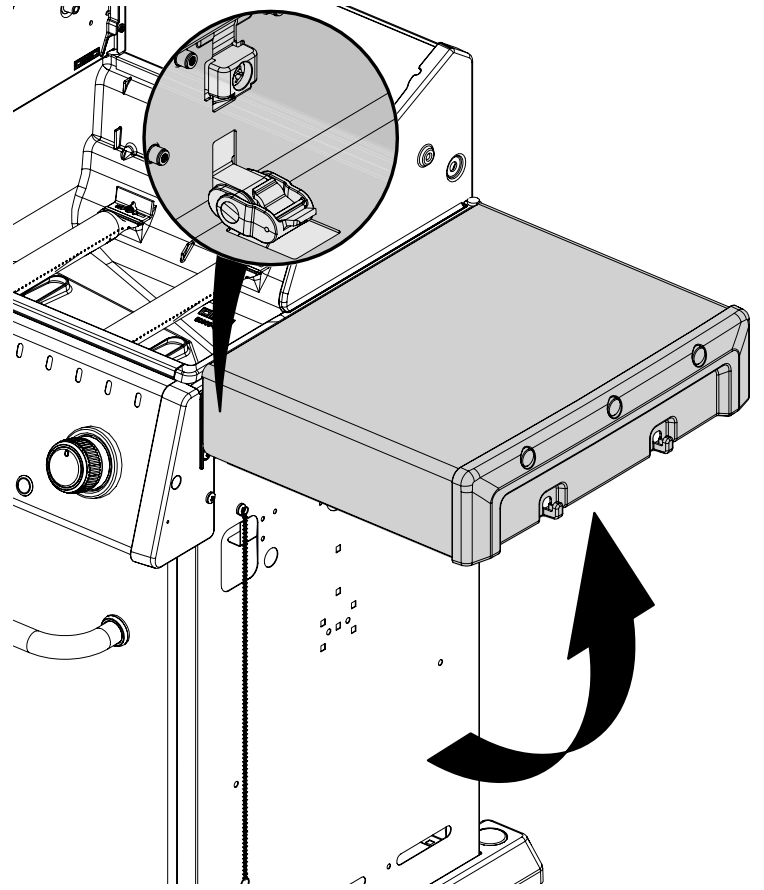
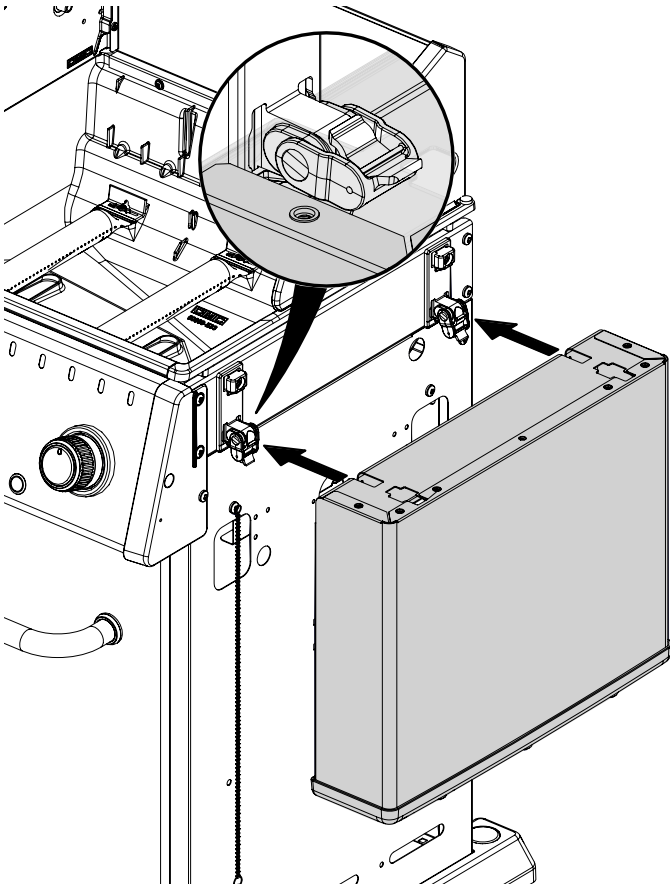


16

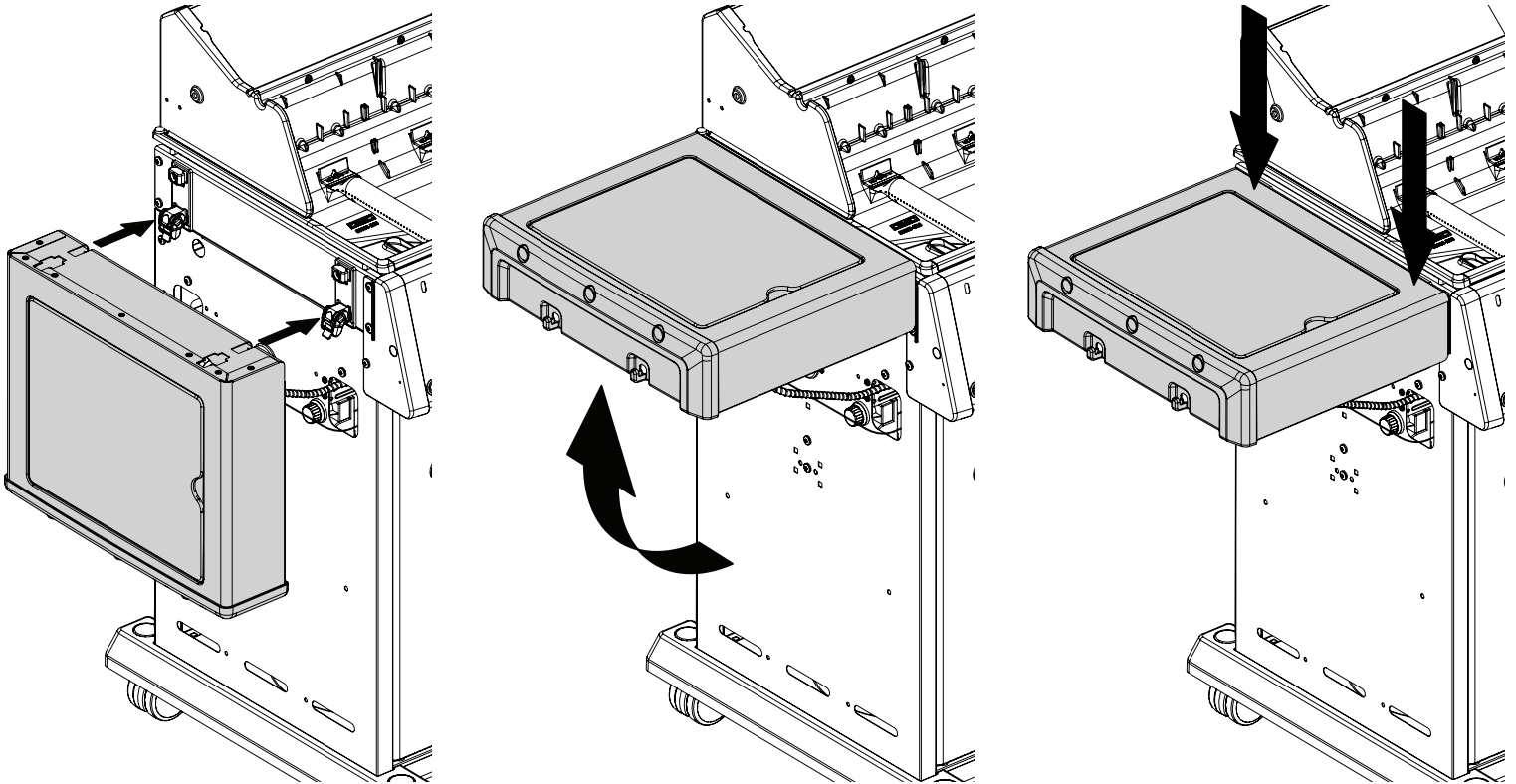
(6)



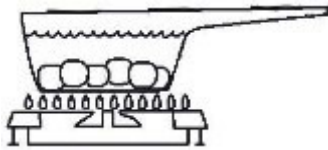
17



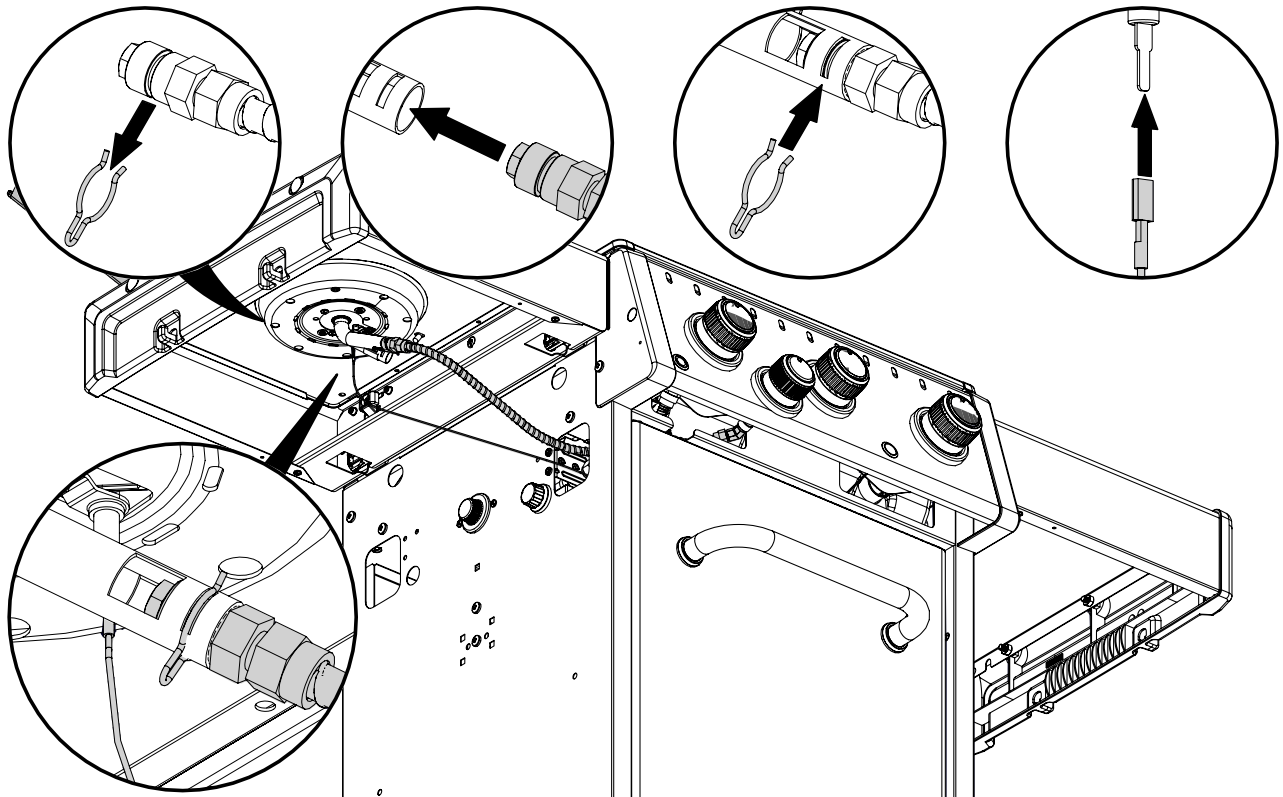
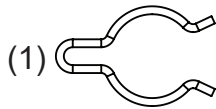
18



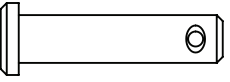
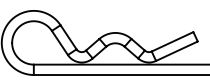
19

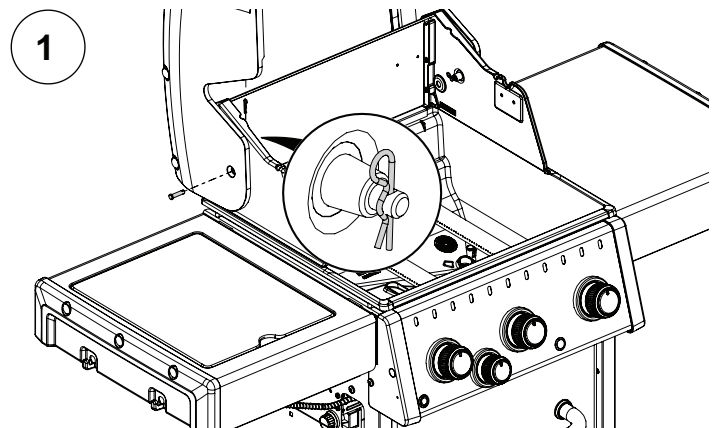
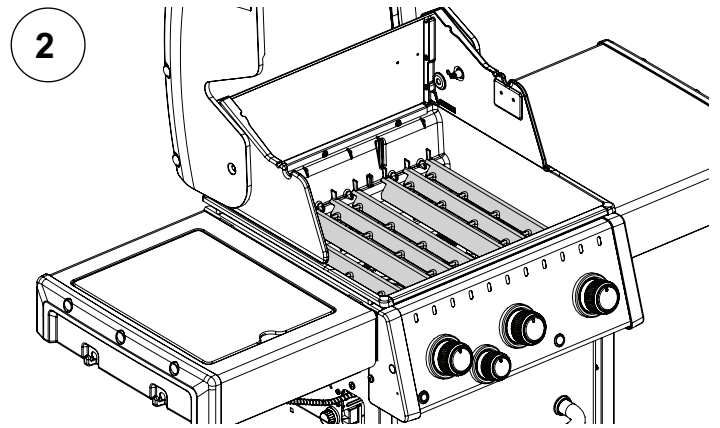
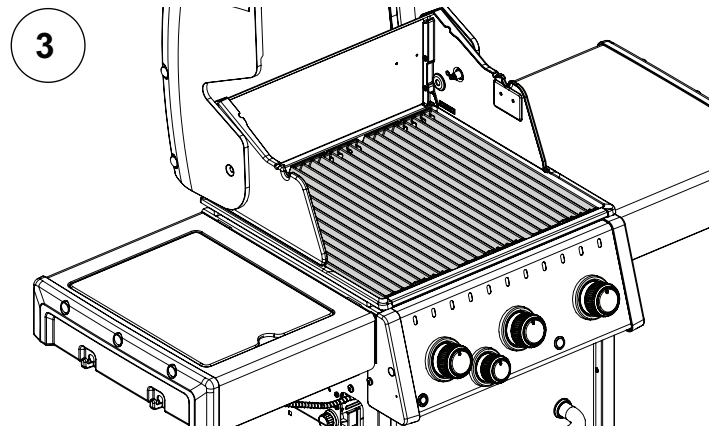
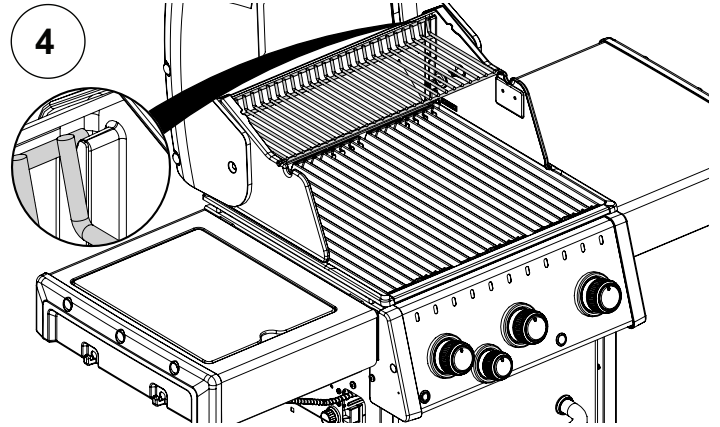
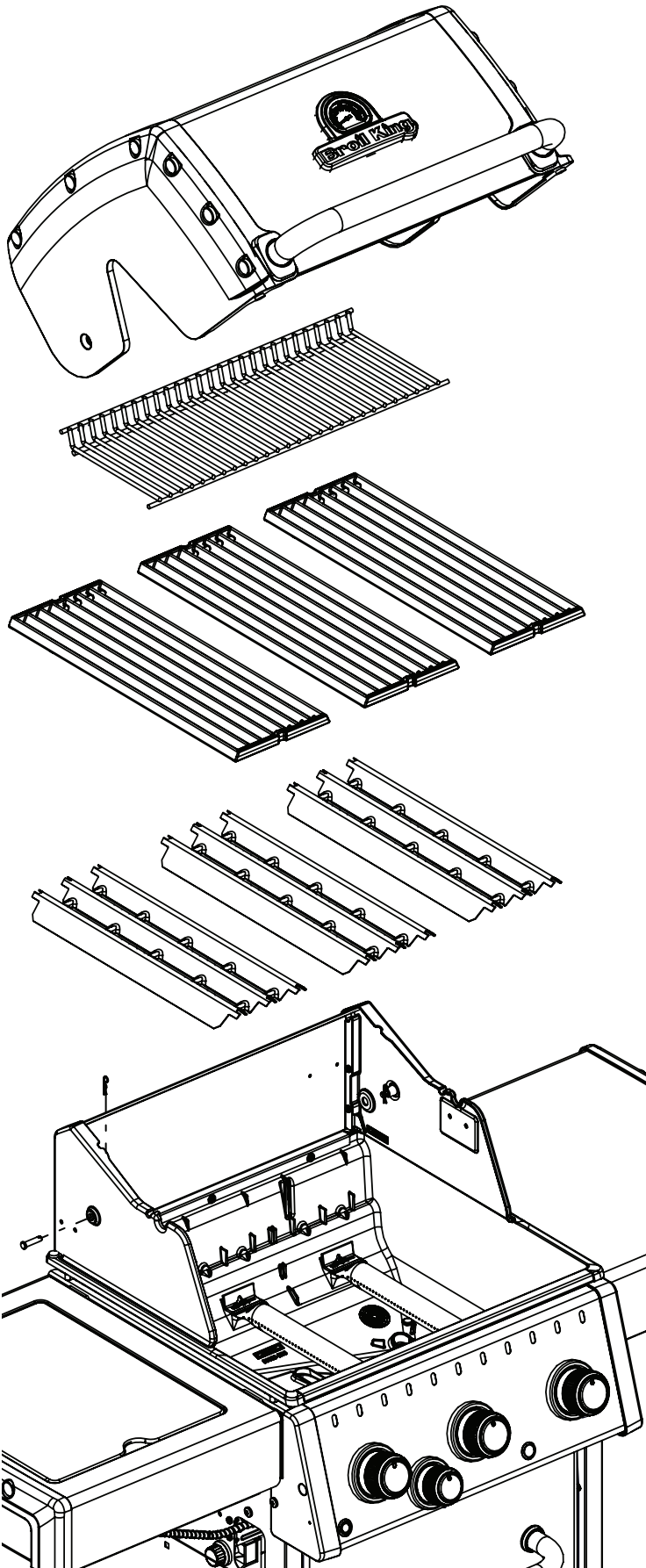


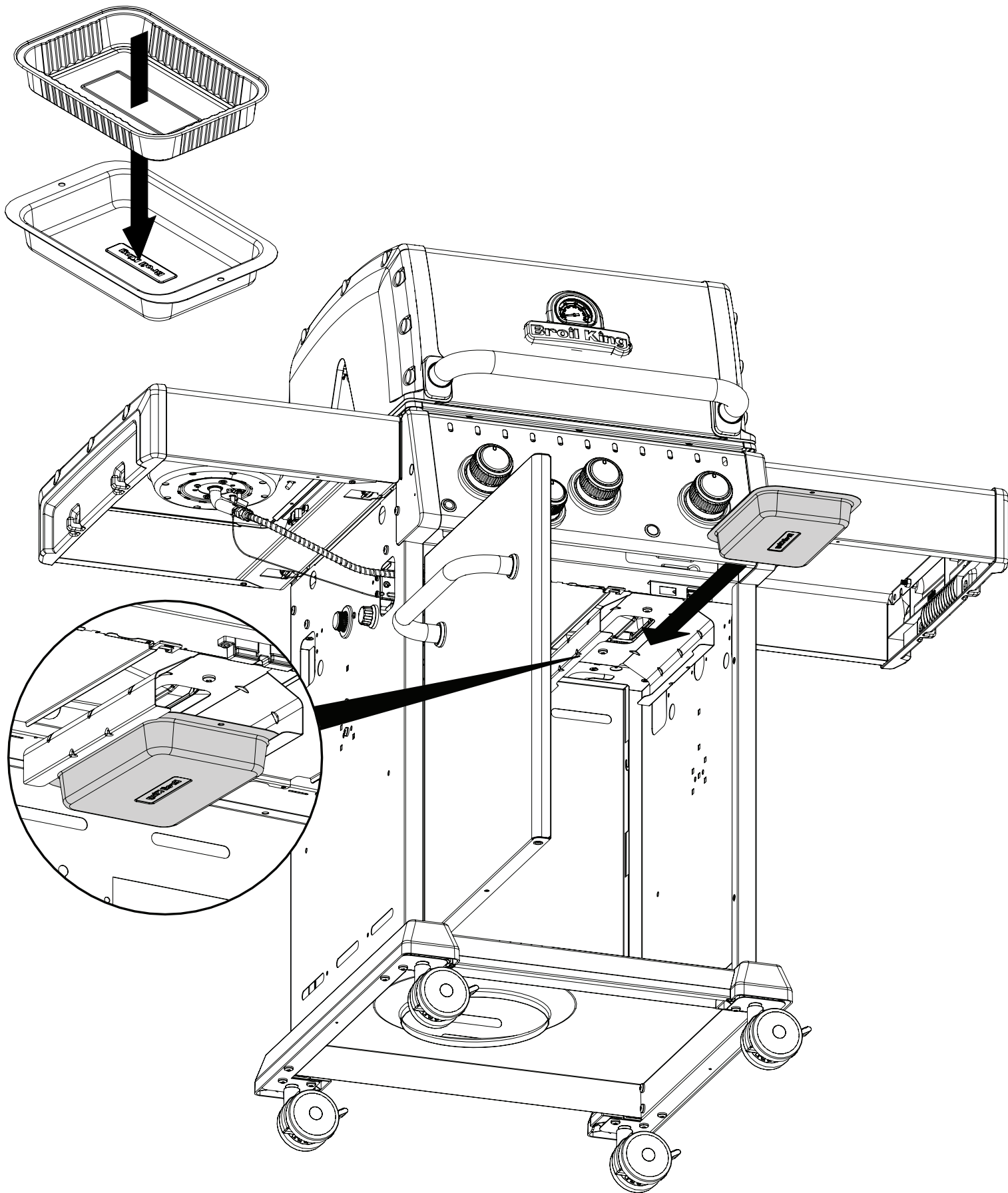
(1)



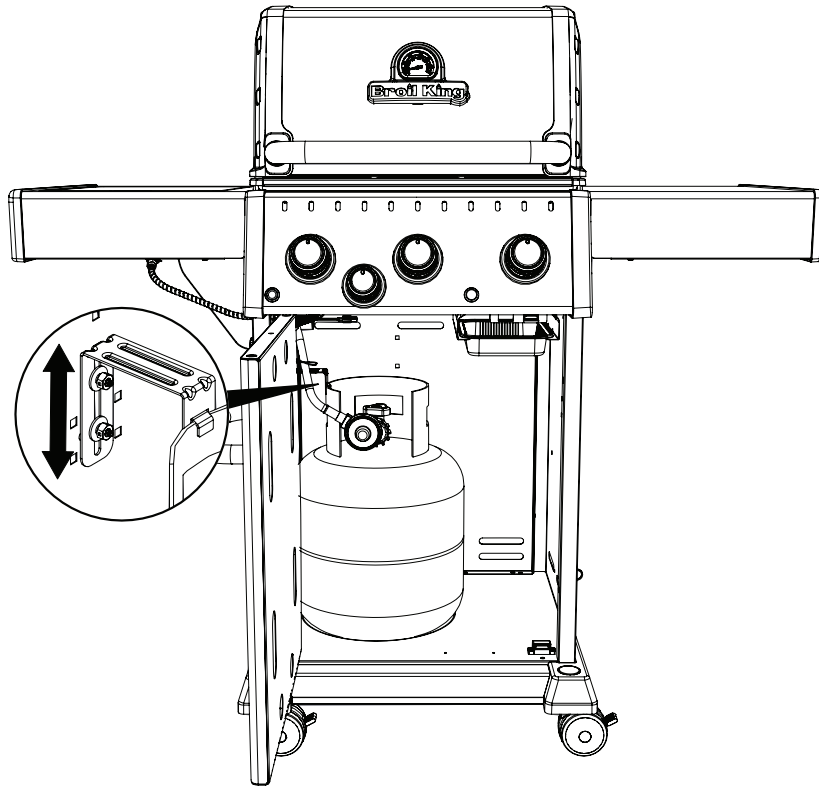
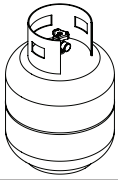
20

(2)  (2) 





22



23

