

# Broil King®

## OWNER'S MANUAL

FOR USE WITH L.P. (LIQUID PETROLEUM) GAS



IN CANADA, PROPANE GAS  
ANSI Z21.58-2015 / CSA 1.6-2015

## CONTENTS

SAFETY.....	2
INSTALLATION.....	2
L.P. GAS CYLINDER.....	3
OPD EQUIPPED CYLINDER.....	4
HOSE & REGULATOR.....	4
LEAK TESTING.....	5
VENTURI TUBES.....	6
LIGHTING.....	7
OPERATION.....	8
COOKING TECHNIQUES.....	8
MAINTENANCE.....	9
TROUBLESHOOTING.....	10
WARRANTY.....	11
GUIDE DU PROPRIÉTAIRE DE BARBECUE AU GAZ.....	13
MANUAL DEL USUARIO DE PARRILLA A GAS.....	25

### DANGER



IF YOU SMELL GAS:

1. SHUT OFF GAS TO THE APPLIANCE
2. EXTINGUISH ANY OPEN FLAME
3. OPEN LID
4. IF ODOR CONTINUES, KEEP AWAY FROM THE APPLIANCE AND IMMEDIATELY CALL YOUR GAS SUPPLIER OR YOUR FIRE DEPARTMENT

### WARNING



1. DO NOT STORE OR USE GASOLINE OR OTHER FLAMMABLE LIQUIDS OR VAPORS IN THE VICINITY OF THIS APPLIANCE.
2. AN LP CYLINDER NOT CONNECTED FOR USE SHALL NOT BE STORED IN THE VICINITY OF THIS OR ANY OTHER APPLIANCE.

### PLEASE RECORD YOUR MODEL NUMBER, SERIAL NUMBER AND DATE OF PURCHASE HERE.

This information can be found on the silver and black OMC caution sticker on the back or side of your grill.

Model Number					-			
Serial Number			-					
Date of Purchase		/		/				
	DD		MM				YYYY	

READ ALL INSTRUCTIONS CAREFULLY BEFORE OPERATING YOUR GAS GRILL.  
RETAIN THESE INSTRUCTIONS FOR FUTURE REFERENCE.  
FOR ASSEMBLY INSTRUCTION, PLEASE SEE YOUR ASSEMBLY MANUAL.  
OR  
VISIT [www.omcbbq.com](http://www.omcbbq.com) TO VIEW OUR ASSEMBLY VIDEOS

1-800-265-2150

info@omcbbq.com



SINCE 1906  
**MANUFACTURING COMPANY**  
LIMITED  
585 KUMPF DRIVE  
WATERLOO, ONTARIO, CANADA  
N2V 1K3

10095-LP REV B 04/16

# SAFETY

Your new OMC gas grill is a safe, convenient appliance when assembled and used properly. As with all gas-fired products, however, certain safeguards must be observed.

**Failure to follow these safeguards may result in serious injury or damage.** If you have questions concerning assembly or operation, consult your dealer, gas appliance specialist, Gas Company or our direct customer service line at 1-800-265-2150.

[info@omcbbq.com](mailto:info@omcbbq.com)

## CAUTION

- **FOR OUTDOOR USE ONLY.**
- **IF STORED INDOORS, DETACH AND LEAVE CYLINDER OUTDOORS.**
- **THIS APPLIANCE MUST NOT BE OPERATED UNATTENDED.**
- **SPECIAL CARE MUST BE TAKEN TO KEEP SMALL CHILDREN AWAY FROM HEATED SURFACES.**

Use caution when handling or transporting this product. Metal edges can be hazardous. Use appropriate gloves when lifting or handling. Before lifting, remove side shelves, grids and grates.

## ELECTRICAL CAUTION

1. If any accessory is used on this appliance that requires an external electrical power source, the accessory when installed must be electrically grounded in accordance with local codes. In the absence of local codes, the following standards apply:

**(U.S.A.) ANSI/NFPA No. 70-Latest Edition and (Canada) CSA C22.1 Canadian Electrical Code**

2. Do not cut or remove the grounding prong from the plug.
3. Keep the electrical supply cord and fuel supply hose away from any heated surface.

## PROPOSITION 65 WARNING

Handling the brass material on this product exposes you to lead, a chemical known to the state of California to cause cancer, birth defects or other reproductive harm. WASH YOUR HANDS AFTER HANDLING THIS PRODUCT.

## WARNING

Fuels used in gas or oil-fired appliances, and the products of combustion of such fuels, contain chemicals known to the State of California to cause cancer, birth defects or other reproductive harm. "This warning is issued pursuant to California Health and Safety Code Sec. 25249.6"

# INSTALLATION

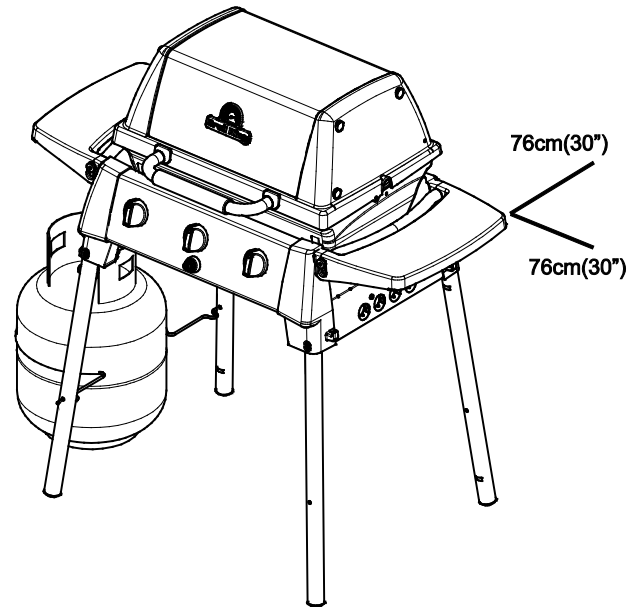
1. In the U.S.A., this appliance must be installed in accordance with the local code and the relevant national code:

**ANSI Z223.1/NFPA 54 - Latest Edition National Fuel Gas Code and Latest Local Codes where Applicable**

2. In Canada, this appliance must be installed in accordance with the local code and the relevant CSA standards:

**CSA-B149.1 Natural Gas and Propane installation Code**

3. The appliance must be located away from combustible surfaces by at least 76cm / 30" from each side, and 76cm / 30" from the rear.



4. Do **not** operate this appliance under any overhead roof construction or foliage.
5. This appliance is for **OUTDOOR USE ONLY, DO NOT** operate in garage, shed, balcony or other such enclosed areas.
6. **DO NOT** restrict the flow of air to the appliance.
7. Keep the area surrounding the appliance free of combustible materials, gasoline, and all flammable liquids and vapors.
8. This appliance is not intended to be installed in, or on, recreational vehicles and/or boats.

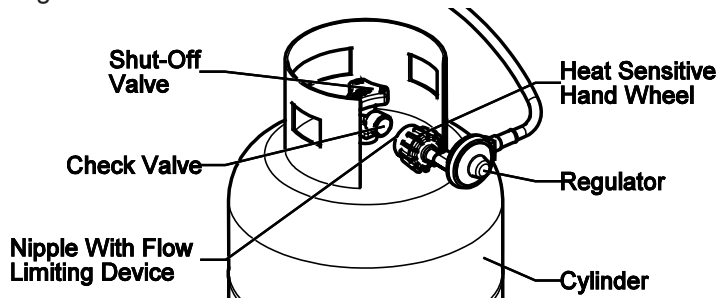
## LP GAS CYLINDER PLACEMENT

The instructions below apply to LP models only. LP gas cylinders must be installed according to assembly instructions using retainer provided. Do not store a spare cylinder under or near this appliance. All cylinders used must be compatible with supplied means of cylinder retention.

# LP GAS CYLINDER

## QCC®-1 QUICK CLOSING COUPLING

1. All OMC models are designed to be used with an LP gas cylinder equipped with the QCC®-1 Quick Closing Coupling system.
2. The QCC®-1 system incorporates safety features required by the American National Standards Institute (ANSI) and the Canadian Standards Steering Committee.
  - Gas will not flow until a positive connection has been made.
  - A thermal element will shut off the flow of gas between 240° and 300° F.
  - When activated, a Flow Limiting Device will limit the flow of gas to 10 cubic feet / hour.



3. **The LP Gas Cylinder is not included with the Gas Grill.** Be sure to purchase one with the QCC® valve. This valve is recognized by the external threads on the inlet port of the valve. QCC® equipped cylinders are available from your Gas Grill Dealer.

**NOTE: Any attempt to connect the regulator, by use of adapters or any other means, to any other valve could result in damage, fire or injury and may negate the important safety features in the QCC®-1 system.**

## SPECIFICATION

1. All LP gas cylinders used with this appliance must be constructed and marked in accordance with the Specifications for LP Gas Cylinders of the U.S. Department of Transportation (D.O.T.) or the National Standard of Canada, CAN/CSA-B339, Cylinders, Spheres and Tubes for Transportation of Dangerous Goods ; and Commission, as applicable
2. The LP gas cylinder used for this appliance must not have a capacity exceeding 20 lb. (9 kg).
  - Approximately 18" (46cm) high and 12" (31cm) Diameter.
3. All LP gas cylinders used with this appliance should be inspected at every filling and re qualified by a licensed service outlet at the expiry date (10 years), in accordance with the DOT (USA) and Canadian Transport Commission (Canada) codes for LP Gas Cylinders.
4. All LP gas cylinders used with this appliance must be provided with a shutoff valve terminating in a cylinder valve outlet No. 510, specified in the Standard for Compressed Gas Cylinder Valve Outlet and Inlet Connection (USA) ANSI/CGA-V-1-1977 (Canada) CSA B96.
5. The cylinder supply system must be arranged for vapor withdrawal.

6. The cylinder must include a collar to protect the cylinder valve.
7. The cylinder must be installed as per assembly instructions.
8. Never fill the cylinder beyond 80% full. A fire causing death or serious injury may occur.
9. The cylinder valve must include a safety relief device having direct communication with the vapor space of the cylinder.

## HANDLING

1. Government regulations prohibit shipping full LP gas cylinders. You must take your new cylinder to a LP gas dealer for filling
2. A filled LP gas cylinder is under very high pressure. Always handle carefully and transport in the upright position. Protect the valve from accidental damage.
3. Do not tip the LP gas cylinder while connecting it to the regulator. Fasten the cylinder securely during transport, use and storage.
4. If the cylinder is tipped after it is connected to the regulator, shut off the gas, disconnect the regulator and have it checked before using it again.

## STORAGE

1. Store the LP gas cylinder outdoors in a well-ventilated place.
2. Do not store the LP gas cylinder in direct sunlight, near a source of heat or combustion.
3. If you intend to store the grill indoors, disconnect and remove the LP gas cylinder first. Disconnected cylinders must have a dust cap installed and must not be stored in a building, garage or any enclosed area.
4. Keep out of the reach of children.
5. When the LP gas cylinder is connected to the gas grill, the gas grill and LP gas cylinder must be stored outside in a well-ventilated place.

## OPERATION

1. Never connect your gas grill to an LP gas cylinder without the regulator provided, and NEVER TO AN UNREGULATED LP GAS SUPPLY. The regulator supplied with the barbecue must be used.
2. Always leak test the LP gas cylinder to regulator connection when connecting the LP gas cylinder to the appliance. See "Leak Testing." (page 5)
3. Do not operate appliance if the smell of LP gas is present. Extinguish all flame and determine source of LP gas before proceeding. Do not ignite the appliance until the LP gas leak has been found and sealed.
4. Always shut off LP gas cylinder valve when the appliance is not in use.

# OPD EQUIPPED CYLINDER

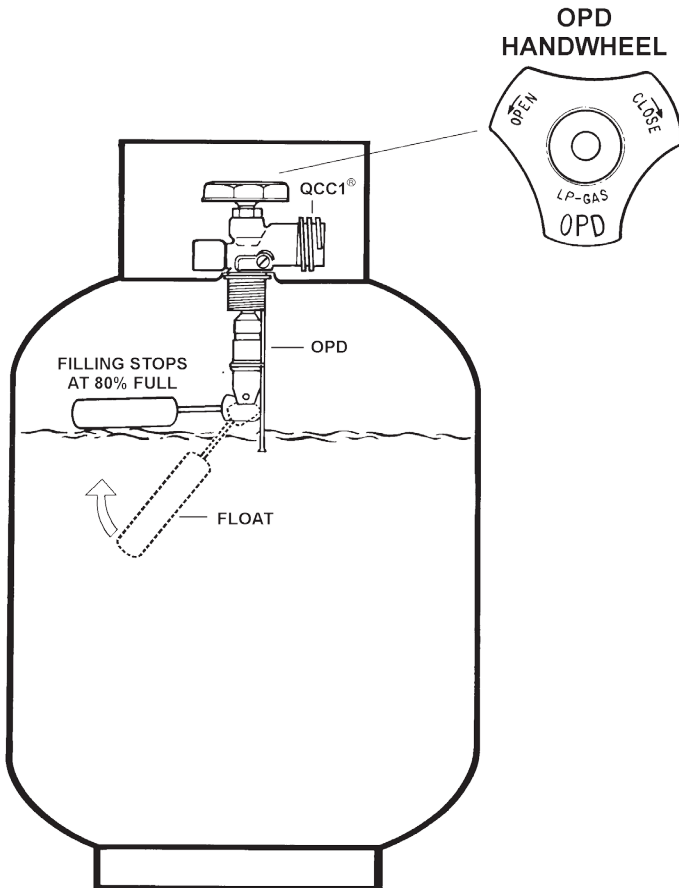
# HOSE & REGULATOR

## OVERFILL PREVENTION DEVICE

1. The standard for outdoor gas appliances, ANSI Z21.58/ CAN/CGA-1.6, requires that appliances be used with cylinders equipped with an Overfill Prevention Device (OPD).
2. The OPD is designed to reduce the potential for the overfilling of propane cylinders, thus reducing the possibility of relief valve discharges of raw propane. **The OPD causes a slower purge/fill operation.** Some consumers have been advised by filling stations that these cylinders are “defective.” **This is not a defect.** Some propane filling stations may not be aware of this device and its effect on the purge/fill operation.
3. New OPDs coming onto the market have technology that allows for much greater BTU outputs which will decrease the amount of time it takes to purge a cylinder.

## IDENTIFICATION

To identify these cylinders, the OPD handwheel has been standardized to the shape shown.



1. All models are equipped with a hose and regulator with a QCC®-1 Quick Closing Coupling.
2. The QCC® coupling contains a magnetic Flow Limiting Device which will limit the flow of gas should there be a leak between the regulator and the appliance valve. This device will activate if the cylinder valve is opened while the appliance valves are open. **Be sure the appliance valves are off before the cylinder valve is opened to prevent accidental activation.**
3. The QCC® coupling incorporates a heat sensitive hand wheel that will cause the back check module in the QCC® cylinder valve to close when exposed to temperatures between 240° and 300°F. Should this occur, do not attempt to reconnect the hand wheel. Remove hose/regulator assembly and replace with a new one.
4. The pressure regulator is set at 11 inches WC (water column) and is for use with LP gas only. The hose and hose couplings comply with CGA Standard CAN 1.83. No modifications or substitutions should be attempted.
5. Protect the hose from dripping grease and **do not allow the hose to touch any hot surface**, including the base casting of the barbecue.
6. Inspect the seal in the QCC® cylinder valve when replacing the LP gas cylinder or once per year whichever is more frequent. Replace the seal if there is any indication of cracks, creases, or abrasion.
7. Inspect the hose before each use. If the hose is cracked, cut, abraded or damaged in any way, the appliance must not be operated.
8. For repair or replacement of the hose/regulator assembly, contact customer service.

## CONNECTION

1. Be sure cylinder valve and appliance valves are “OFF.”
2. Place full LP gas cylinder in LP tank well and secure base as per assembly instructions.
3. Center the nipple in the cylinder valve and hold in place. Using other hand, turn the hand wheel clockwise until there is a positive stop. **Do not use tools. Hand tighten only. When making the connection, hold the regulator in a parallel with the cylinder valve, so as not to cross thread the connection.**
4. Leak test connections. See “Leak Testing.” (page 5)
5. Refer to lighting instructions. **To avoid activating the Flow Limiting Device when lighting, open cylinder valve slowly with the appliance valves off.** If the Flow Limiting Device is accidentally activated, turn off cylinder valve and appliance valves, wait 10 seconds to allow the device to reset, open cylinder valve slowly, then open the appliance valve.

## DISCONNECTION

Always close LP cylinder valve and remove coupling nut before moving cylinder from specified operation position.

# LEAK TESTING

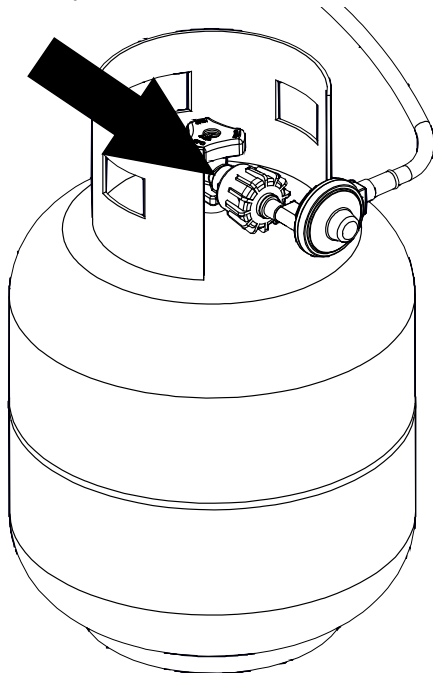
All factory-made connections have been rigorously tested for gas leaks. However, shipping and handling may have loosened a gas fitting.

## AS A SAFETY PRECAUTION:

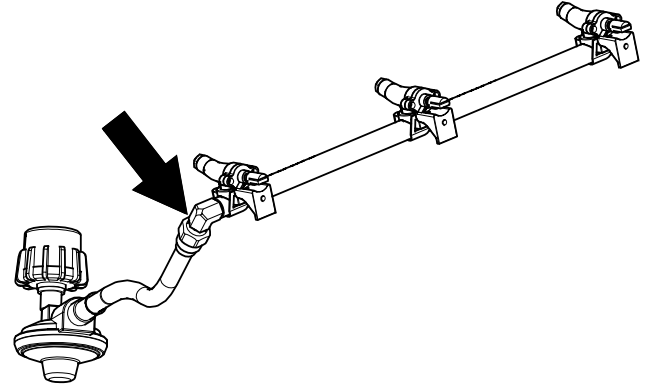
- Test all fittings for leaks before using your gas grill.
- Test the cylinder valve for leaks each time the cylinder is filled.
- Test for leaks every time you connect a gas fitting.
- Do not smoke at any time while testing.
- Never test for leaks with a lit match or open flame.
- Test for leaks outdoors.

## TO TEST FOR LEAKS:

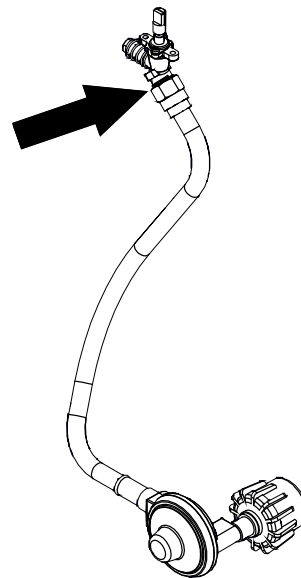
1. Extinguish any open flame or cigarettes in the area.
2. Be sure that cylinder valve and gas grill valves are "OFF."
3. Connect LP gas cylinder. See "Hose and Regulator."
4. Prepare a soap solution of one part water, one part liquid detergent.
5. With a full gas cylinder, open cylinder slowly.
6. Brush the soap solution on each connection.
7. A leak is identified by a flow of bubbles from the area of the leak.
8. If a leak is detected, close the gas cylinder "shut-off" valve, tighten the connection and retest.
9. If the leak persists, contact your gas grill dealer for assistance. Do not attempt to operate appliance if a leak is present.



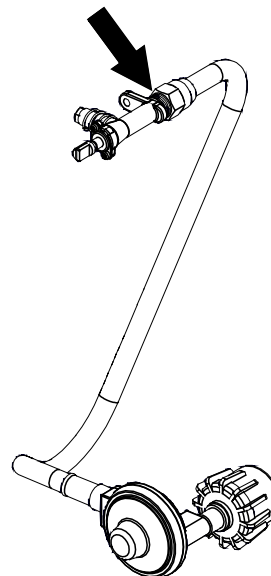
## PORTA-CHEF 320



## PORTA-CHEF 120



## PORTA-CHEF 100

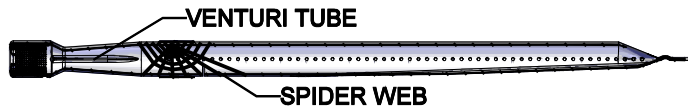




# VENTURI TUBES

## PORTA-CHEF 100 / 120

Always keep venturi tubes clean. Blockages in the venturi tubes caused by spiders, insects and nests can cause a flashback fire. In fact, although the gas grill may still light, the backed up gas can ignite and cause a fire around the venturi tubes at the control panel or the side burner.



If a flashback fire occurs, turn off gas at the source immediately

Inspect and clean the venturi tubes (main burner, side burner, rear burner) if any of the following symptoms occur:

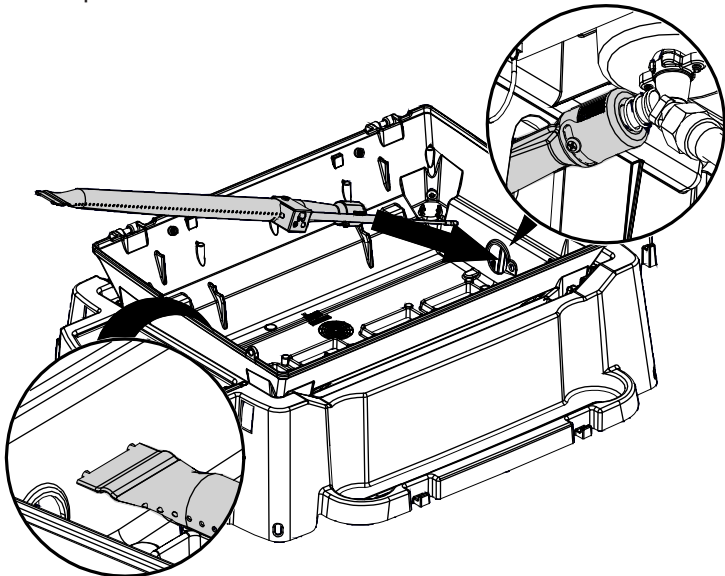
1. You smell gas.
2. Your gas grill does not reach temperature.
3. Your gas grill heats unevenly.
4. The burners make popping noises.

## INSPECTING & CLEANING

1. Turn off gas by closing the propane cylinder valve
2. When the barbecue is cool, push the burner towards the valve and lift the burner from the barbecue housing.
3. Clean the venturi tubes with a pipe cleaner or venturi cleaning tool (Accessory #77310 or #18270).

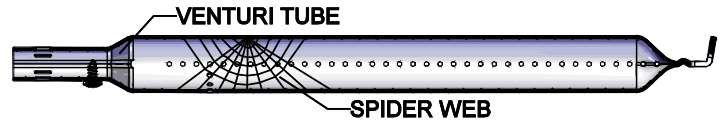


4. Lower the burner into position in the gas grill housing, making sure that the venturi tube is correctly aligned and fitted on the orifice. Push towards the valve and fit in place.



## PORTA-CHEF 320

Always keep venturi tubes clean. Blockages in the venturi tubes caused by spiders, insects and nests can cause a flashback fire. In fact, although the gas grill may still light, the backed up gas can ignite and cause a fire around the venturi tubes at the control panel or the side burner.



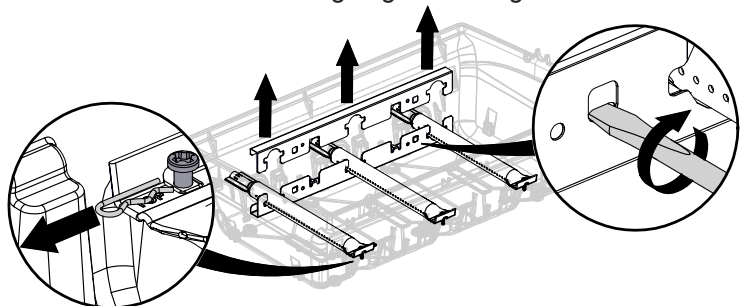
If a flashback fire occurs, turn off gas at the source immediately

Inspect and clean the venturi tubes (main burner, side burner, rear burner) if any of the following symptoms occur:

1. You smell gas.
2. Your gas grill does not reach temperature.
3. Your gas grill heats unevenly.
4. The burners make popping noises.

## INSPECTING & CLEANING

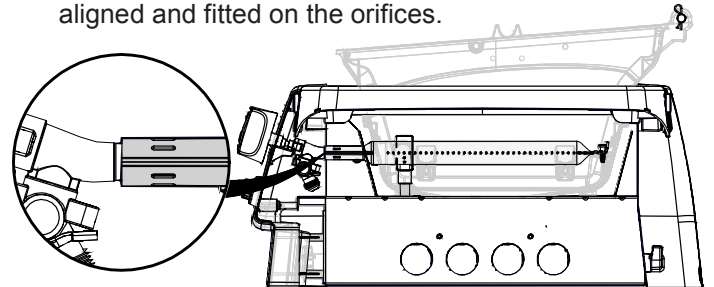
1. Turn off gas by closing the propane cylinder valve
2. When gas grill is cool, remove the burner fasteners and the top portion of the collector box. Proceed to lift the burners from the gas grill housing.



3. Clean the venturi tubes with a pipe cleaner or venturi cleaning tool (Accessory #77310 or #18270).

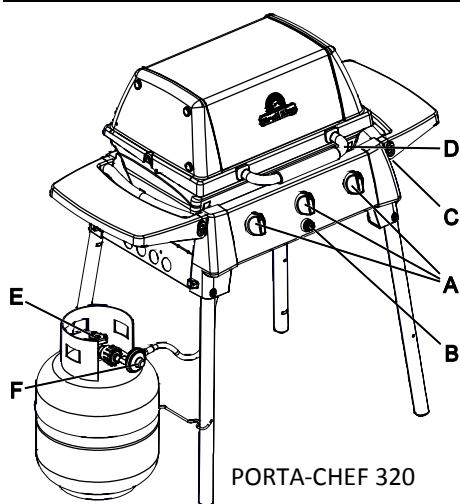


4. Lower the burner into position in the gas grill housing, making sure that the venturi tubes are correctly aligned and fitted on the orifices.

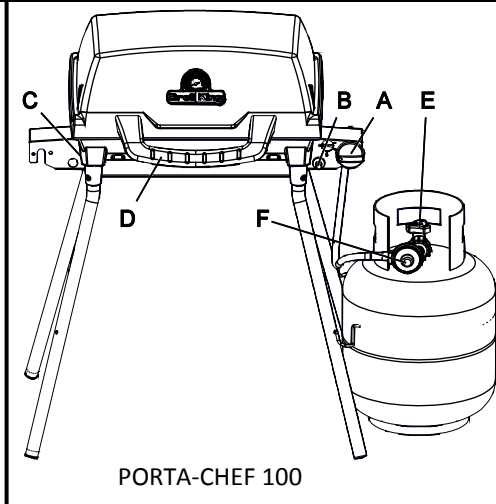


5. Secure burners with burner fasteners.
6. Snap top portion of collector box back in place.

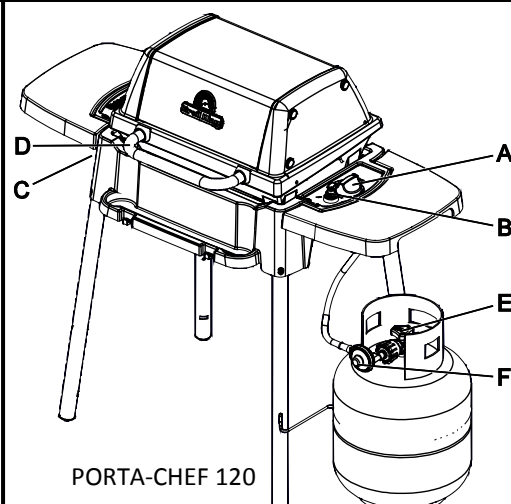
# LIGHTING



PORTA-CHEF 320



PORTA-CHEF 100



PORTA-CHEF 120

- |                         |                   |
|-------------------------|-------------------|
| A. BURNER CONTROL       | D. HANDLE         |
| B. IGNITOR              | E. CYLINDER VALVE |
| C. MANUAL LIGHTING HOLE | F. REGULATOR      |

## LIGHTING INSTRUCTIONS

1. The appliance must be assembled as per the assembly instructions.
2. Ensure LP cylinder is full and properly connected to the regulator. See: "Hose and Regulator." (Page 4)
3. Ensure there are no gas leaks in the gas supply system. See: "Leak Testing." (Page 5)
4. Ensure that the venturi tubes are properly located over the gas valve orifices. See "Venturi Tubes." (Page 6)
5. Ensure that ignition wires are connected.
6. Carefully review all instructions on the information plate attached to the gas grill.
7. **WARNING: Always open lid before lighting and do not lean over gas grill while lighting.**
8. Set control knobs to "OFF" and turn on the gas supply.

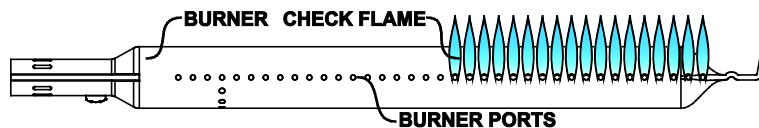
## LIGHTING THE BURNER:

- a. Open gas grill lid and leave open until lit.
- b. Check that the battery has been installed in the electronic ignition.
- c. Push and turn one main burner control knob to "HIGH."
- d. Push and hold down the ignitor button or use match to light.
- e. Burner should ignite within 5 seconds; turn off gas source immediately if ignition does not occur in this timeframe. To light burner with a match proceed below to step f.
- f. Insert lit match through lighting hole located at the left or right side of the cook box.

- g. Push and turn right main burner control knob to "HIGH."
- h. Burner should ignite within 5 seconds.
- i. After the first burner is lit, push and turn the adjacent main burner control knob to "HIGH" then repeat for other burners; these burners should light automatically without the ignitor.

### CAUTION - Check your gas grill after lighting.

All burner ports should show a 2.5cm / 1" flame on "HIGH."



If any of the following symptoms occur there is probably a blockage in the venturi tubes. Shut off gas at once and clean the venturi tubes. See "Venturi Tubes." (page 5)

1. You smell gas.
2. A flashback fire occurs.
3. Your gas grill heats unevenly.
4. The burners make popping noises.

### IF BURNER DOES NOT IGNITE:

1. Push and turn control knob to "OFF." Wait 5 minutes then try again with control knob set at "MEDIUM."
2. If any burner will not light, see "Troubleshooting" (page 10). If problem persists, do not attempt to operate the appliance; contact OMC, your dealer or an approved service center.

### SHUTDOWN:

1. Turn off cylinder valve.
2. Turn control knobs to "OFF."

# OPERATION

**First Time Use:** Before cooking on your gas grill for the first time, burn it off to rid it of any odors or foreign matter in the following manner:

1. With cooking grids installed in position, light the gas grill following lighting instructions (see Page 6) and operate the gas grill on “**HIGH**” for **10-15 minutes**. Next, turn gas source off then turn all control knobs to the “**OFF**” position.
2. When gas grill is cool, thoroughly season cooking grids by spraying or wiping olive or vegetable oil on them. Ensure that the entire surface is generously coated including the corners. For cast iron cooking grids, light seasoning should be done before every usage.
3. You are ready to grill. Proceed to “Preheating.”

**Preheating:** Preheat the gas grill on MEDIUM/HIGH with the lid closed for ten minutes. Reduce heat as appropriate for what you are grilling. Firmly but carefully scrub grids with a wire grill brush. Next, brush or spray the grids with vegetable or olive oil to prevent food from sticking.

**Lid Position:** The position of the lid during cooking is a matter of personal preference, but the gas grill cooks faster, uses less fuel, and controls the temperature best with the lid closed. A closed lid also imparts a smokier flavor to meat cooked directly on the grid, and is essential for smoking and convection cooking.

**Vaporization Systems:** Your gas grill is designed for use with the included Flav-R-Wave™ vaporization system. Do not use lava rock, ceramic briquettes or any other vaporization system other than the one that came with the gas grill.

## COOKING TEMPERATURES

**High Setting:** Produces temperatures at the cooking grid of approximately 600 - 650°F (320 - 340° C). Use this setting only for fast warm-up or for burning food residue from the cooking grids after cooking. This setting is also ideal for quickly searing steaks before reducing the temperature. Rarely, if ever, do you use the HIGH setting for extended cooking.

**Medium/High:** Produces temperatures at the cooking grid of approximately 550°F (290 ° C). Use this setting for warm-up and for grilling steaks and chops

**Medium:** Produces temperatures inside the gas grill of approximately 450° F (230°C) with the lid down. Use this setting for most grilling of chicken, burgers and vegetables as well as for roasting and baking

**Low:** Produces temperatures inside the gas grill of approximately 310- 350° F (155-175° C). Use this setting for all smoke cooking, large cuts of meat, delicate fish and for dough and pastry such as quesadillas.

**These temperatures are approximate only and vary with the outside temperature and the amount of wind.**

# COOKING TECHNIQUES

## DIRECT GRILLING

The direct grilling method involves cooking the food on grids directly over a lit burner. Direct grilling is the most popular method for most single serving items such as steaks, chops, fish, burgers, kebabs and vegetables.

1. Prepare food in advance to avoid delay and timing problems. If using marinade or spices, they should be applied before placing meat on the cooking grid. If basting with sauces, they should be applied in the last 2-4 minutes of grilling to avoid burning.
2. Organize the area around the gas grill to include forks, tongs, oven mitts, sauces and seasonings to allow you to stay in the vicinity of the gas grill while cooking.
3. Bring meat to room temperature just prior to grilling. Trim excess fat from meat to minimize the “flare-ups” that are caused by dripping grease.
4. Pre-heat the gas grill to the desired temperature with the lid closed.
5. Coat the grids with vegetable or olive oil to prevent food from sticking to the grids.
6. Hold the salt when cooking meats on the gas grill. The meat will stay juicier if the salt is added after cooking.
7. To prevent steaks from “drying out,” use tongs rather than a fork and start on “MEDIUM/HIGH” to sear the meat and seal juices in. Reduce the heat and extend cooking times when grilling thicker cuts of meat.
8. Learn to test when the meat is done by time and feel. Meat firms up as it cooks. When the meat is soft it is rare. When it is firm, it is well done.
9. Follow the perfect steak grilling guide for most meat, fish, poultry and vegetables.

### THE PERFECT STEAK GRILLING GUIDE

PLACE STEAK ON ANGLE ON HOT GRIDS.

FLIP THE STEAK AS SHOWN BELOW.

TURN AND FLIP THE STEAK AGAIN.

FINALLY, FLIP THE STEAK AGAIN.

Meat Thickness		Heat Setting	Time Per Side				Total Time
1"			A	B	C	D	
Rare		High	1½	1¾	1¾	1¾	7 minutes
Rare	Medium/Rare	Med/High	2	2	2	2	8 minutes
Medium/Rare	Medium	Med/High	2¼	2¼	2¼	2¼	9 minutes
Medium	Well	Med	2½	2½	2½	2½	10 minutes
Well		Med	3	3	3	3	12 minutes



# MAINTENANCE

## REGULAR MAINTENANCE

The following components should be inspected and cleaned (as necessary) before every usage of your gas grill to ensure optimal performance, safety and efficiency.

### COOKING GRIDS

Remove all food from the grids, turn the control knobs to "HIGH", and operate the barbecue with the lid closed for 5 to 10 minutes or until smoking stops. Turn the gas cylinder valve to OFF, then the control knobs to OFF.

Use a long-handled brush to clean the grids. Remember that the barbecue is hot, so wear kitchen mitts or use a pot-holder to handle the brush.

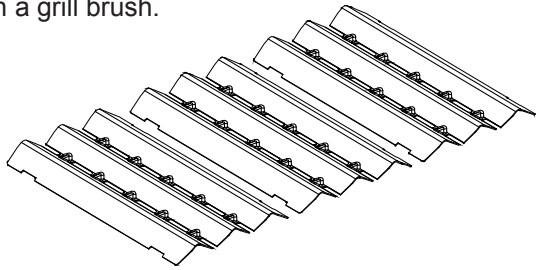
You do not have to wash the grids and upper cooking rack after each cookout, but if you wish to do so, use a mild soap and water solution, then rinse them thoroughly. Never use a commercial oven cleaner.

### CAST IRON COOKING GRIDS

Cast iron grids should be seasoned before every use by wiping or spraying them with vegetable or olive oil. Ensure that the whole surface of the grid is covered by a light layer of oil. This helps prevent rusting and deterioration. If rusting does occur, scrape it off gently with a scrub pad and season thoroughly. During longer periods of inactivity, grids should be seasoned, wiped dry then stored in a dry place. Before first usage and after periods of storage, grids should be washed (see "Cooking Grids" to right), dried with paper towel then wiped down thoroughly with vegetable shortening or olive/vegetable oil.

### FLAV-R-WAVE

If residue accumulates on the Flav-R-Wave, remove the cooking grids and scrape the residue off the Flav-R-Wave with a grill brush.



### GREASE TRAY

The grease tray is located directly under the drainage hole on the bottom of the gas grill. It is accessible from the side or rear of the appliance and should be cleaned or replaced regularly to avoid grease overflowing onto your patio.

### GENERAL CLEANING

Perform a Burn-Off (see below). When gas grill is cool, remove grids, scrape the Flav-R-Wave clean then remove it. Clean the interior of the gas grill as necessary by scraping the sides and bottom of the cookbox and vacuuming.

### BURN-OFF

Ignite the burners as per "Lighting" (page 7). Operate gas grill on HIGH with lid closed for 10 min. or until smoking stops. Turn the gas source off then turn control knobs to OFF.

## ANNUAL MAINTENANCE

The following components should be inspected and cleaned at least once a year or after any period of storage over 30 days to ensure optimal performance, safety and efficiency.

### BURNER

Remove burner and inspect for cracks and deterioration. Clean venturi tubes using a pipe cleaner or venturi brush to eliminate any blockages. See "Venturi Tubes." (page 6) While the burner is removed, clean the interior of cookbox by scraping the sides and bottom of the cookbox and vacuuming.

### HOSE

Inspect and replace if necessary. For propane see "Hose and Regulator." (page 4)

### EXTERIOR FINISH

If white oxidation spots appear, wash the outside of the cookbox with a mild soap and water solution. Rinse the surfaces thoroughly then wipe them with a cloth dipped in cooking oil to restore the luster. For repair of paint scratches and scuffs, use a good quality HIGH temperature (600°F) spray paint for touch-up. Rusting is a natural oxidation process and may appear on cast-iron and steel parts. Rust will not affect short term performance of your grill.

### STAINLESS STEEL

Wash with soap and water. Use stainless steel cleaner to polish and remove stains or marks. Weathering and extreme heat can cause a stainless steel lid to turn a tan color. This is discoloration and is not considered a manufacturing defect.

### RESIN COMPONENTS AND SIDE SHELVES

Wash with soap and water.

### REPLACEMENT PARTS

If a problem is found with the regulator, hose, burner, or control valves, do not attempt repair. See your dealer, approved service center, or contact the factory for repairs or replacement parts. To ensure optimum performance, use only original OMC replacement parts.

### LEAK TEST

When reconnecting a gas cylinder on propane models, be sure to check for leaks. See "Leak Testing." (page 5)

### COOKING GRIDS

To wash stainless or cast iron grids, use a light detergent and water and then rinse and dry with paper towel; never air dry grids or use a dishwasher. For cast iron grids, thoroughly season (see left: "Cast Iron Cooking Grids") after washing.

# TROUBLESHOOTING

PROBLEM	POSSIBLE CAUSE	CORRECTIVE ACTION
<b>SMELL OF GAS</b>	<b>SHUT OFF LP CYLINDER VALVE AT ONCE. DO NOT USE THE APPLIANCE UNTIL LEAK IS SEALED.</b>	
Leak detected at cylinder, regulator or other connection.	<ol style="list-style-type: none"> <li>1. Regulator fitting loose.</li> <li>2. Gas leak in hose/regulator or control valves.</li> </ol>	<ol style="list-style-type: none"> <li>1. Tighten fitting and "Leak Test." (page 5)</li> <li>2. See authorized service center.</li> </ol>
Flames Beneath Control Panel (Flashback Fire)	<ol style="list-style-type: none"> <li>1. Venturi blocked.</li> </ol>	<ol style="list-style-type: none"> <li>1. Remove burner and clean venturi. See "Venturi Tubes" (page 6)</li> </ol>
Flickering Burner Flame or Low Temperatures on HIGH Setting	<ol style="list-style-type: none"> <li>1. Excess flow safety device has been activated in connection between cylinder and barbecue.</li> </ol>	<ol style="list-style-type: none"> <li>1. Turn LP cylinder valve off then turn all burners to OFF position. Disconnect the regulator from the cylinder. Wait two minutes. Re-attach regulator to the cylinder. Open the cylinder valve slowly. Wait one minute. Light grill as per "Lighting" (page 7)</li> </ol>
Burner Not Lighting	<ol style="list-style-type: none"> <li>1. Out of LP Gas.</li> <li>2. Ignitor issue.</li> <li>3. Excess flow safety device has been activated.</li> <li>4. Regulator is not fully connected to the cylinder valve.</li> <li>5. A leak in the system causing the excess flow device to activate.</li> <li>6. Venturi blocked or misaligned with valve orifice.</li> <li>7. Orifice(s) blocked.</li> <li>8. Hose is twisted.</li> </ol>	<ol style="list-style-type: none"> <li>1. Refill LP Gas Cylinder.</li> <li>2. Try manually lighting burner with a match. See "Lighting" (page 7). If burner lights successfully, it is an ignitor issue. See "Ignitor not Working" below</li> <li>3. Follow "Flickering Flame or Low Temperatures on HIGH setting" solution above.</li> <li>4. Tighten the regulator hand wheel.</li> <li>5. Leak test connections to determine loose fitting. Tighten fitting. Leak test system.</li> <li>6. Remove burner, clean venturi and realign with valve orifice. See page 6 for assistance.</li> <li>7. Remove burner, clean orifices with a pin or fine wire. Do not drill orifices.</li> <li>8. Straighten hose. Keep away from bottom casting.</li> </ol>
Ignitor Not Working	<ol style="list-style-type: none"> <li>1. Ignitor battery is dead</li> <li>2. Ignitor wire(s) not connected</li> <li>3. Electrode misaligned on burner</li> <li>4. Ignitor malfunction</li> </ol>	<ol style="list-style-type: none"> <li>1. Replace battery</li> <li>2. Ensure main burner and side burner electrode wires are all connected</li> <li>3. Realign electrode and clear any surrounding debris from area</li> <li>4. See "Lighting" procedure (page 7)</li> </ol>
Decreasing Heat, "Popping Sound"	<ol style="list-style-type: none"> <li>1. Out of LP Gas.</li> <li>2. Venturi blocked.</li> </ol>	<ol style="list-style-type: none"> <li>1. Refill LP Gas Cylinder.</li> <li>2. Remove burner, clean venturi. See "Venturi Tubes" (page 6) for assistance.</li> </ol>
Hot spots on Cooking Surface	<ol style="list-style-type: none"> <li>1. Venturi blocked</li> <li>2. Debris buildup on Flav-R-Wave</li> </ol>	<ol style="list-style-type: none"> <li>1. Remove burner, clean venturi. See "Venturi Tubes" (page 6) for assistance.</li> <li>2. Scrape off Flav-R-Wave and vacuum</li> </ol>
"Flare-ups" or Grease Fires	<ol style="list-style-type: none"> <li>1. Excessive grease buildup on vaporizer or in gas grill cookbox</li> <li>2. Excessive heat.</li> </ol>	<ol style="list-style-type: none"> <li>1. Thoroughly scrape off Flav-R-Wave and inside of cookbox then vacuum out debris</li> <li>2. Turn burner controls to a lower setting</li> </ol>
Regulator Humming Noise	<ol style="list-style-type: none"> <li>1. Cylinder valve opened too quickly.</li> </ol>	<ol style="list-style-type: none"> <li>1. Open cylinder valve slowly.</li> </ol>
Yellow Flame	<ol style="list-style-type: none"> <li>1. Some yellow flame is normal. If it is excessive, the venturi may be blocked.</li> <li>2. Burner ports blocked.</li> </ol>	<ol style="list-style-type: none"> <li>1. Remove burner, clean venturi. See "Venturi Tubes" (page 6) for assistance.</li> <li>2. Remove burner &amp; clean with soft bristle brush (e.g. toothbrush).</li> </ol>
Inside of Lid Appears to be Peeling	<ol style="list-style-type: none"> <li>1. This is a build-up of grease. The inside of lid is not painted and cannot peel.</li> </ol>	<ol style="list-style-type: none"> <li>1. Clean with stiff bristle brush or scraper.</li> </ol>
Cooking Grids Rusting	<ol style="list-style-type: none"> <li>1. Porcelain enamel has been chipped</li> </ol>	<ol style="list-style-type: none"> <li>1. See "Maintenance" (page 9) for help</li> </ol>
<p><b>If troubleshooting fails to solve any of these or any other issues, please visit <a href="http://www.omcbbq.com">www.omcbbq.com</a> for more information including troubleshooting videos, tricks and tips or call customer service at 1-800-265-2150</b></p>		

# WARRANTY

The OMC Warranty is effective from date of purchase and is limited to the repair or replacement of parts at no charge which prove to be defective under normal domestic use.

In United States and Canada replacement is FOB Factory.

In all other countries replacement is FOB OMC Distributor (consult your Dealer for name of OMC Distributor). All other costs are the responsibility of the owner.

This warranty is extended only to the original purchaser as indicated on the warranty registration and applies only to products sold at retail and only when used exclusively by the purchaser in country where purchased. (Different types of gas used in different countries require appropriate valves, orifices and regulators.)

## WHAT IS COVERED

Cast Aluminum Cook box	Excluding Paint	10 years
Burner	Tube Burners	3 years
Steel Grids	Porcelain Coated	2 years
Cast Iron Grids	Porcelain Coated	2 years
All Remaining Parts	Excluding Tank	2 years

## WHAT IS NOT COVERED

Any failures or operating difficulties due to accident, abuse, misuse, alteration, misapplication, vandalism, improper installation or improper maintenance or service, or failure to perform normal and routine maintenance, including but not limited to damage caused by insects within the burner tubes, as set out in the owner's manual.

Deterioration or damage due to severe weather conditions such as hail, hurricanes, earthquakes or tornadoes, discoloration due to exposure to chemicals either directly or in the atmosphere.

Shipping or transportation costs.

Removal or re-installation costs.

Labor costs for installation and repair. Cost of service calls.

Liability for indirect, or consequential damages.

Gas grills deemed to be used as a communal amenity or gas grills not directly used and maintained by the purchaser

## REPLACEMENT PARTS

"Genuine OMC Gas Grill Parts" must always be used for replacement. Use of any other parts will automatically nullify the above warranty.

## BURNERS

The life of OMC burners (made of stainless steel) depends almost entirely on proper use, cleaning and maintenance. This warranty does not cover failure due to improper use and maintenance. For proper burner maintenance instructions see page 9.

## PORCELAIN-COATED COOKING GRIDS

All OMC cast iron cooking grids are coated with a durable porcelain enamel to assist in cleaning and reduce the tendency of food sticking to the grid. Porcelain is essentially a glass coating. Some chipping may occur if mishandled. This will not affect the use or performance of the grids. The grids are not warranted against chipping or rusting due to mishandling. Consult "Maintenance" (page 9) for proper cooking grid care and cleaning instructions.

## VAPORIZATION SYSTEMS

OMC Gas Grills are designed for use with Flav-R-Wave™ vaporization systems. Use of any other product will nullify the warranty.

## FLAV-R-WAVE™

The Flav-R-Wave™ is warranted against defects in materials or rust through for a period of 3 years on Monarch, Signet, Baron, 5 years on Sovereign, Regal and Imperial and 2 years on all other models from date of purchase. Surface rust will not affect the performance of the Flav-R-Wave™ and is not covered by the warranty. See "Maintenance" (page 9) for proper Flav-R-Wave care instructions.

## FREIGHT

Courtesy shipping is provided for warranty orders during the three (3) months after the original date of purchase. After this period, a freight charge will be applied to all warranty orders.

## REGISTER YOUR GRILL

You can register your grill's warranty online at [www.omcbbq.com](http://www.omcbbq.com) or by calling 1-800-265-2150.

## WARRANTY CLAIMS

All warranty is handled directly by OMC. Parts must be returned to OMC Warranty Department, shipping charges prepaid, accompanied by Model Number, Serial Number, and if your grill is not registered, proof of purchase (copy of sales slip or invoice). If inspection confirms the defect, OMC will repair or replace such part in accordance with the terms of the warranty.

On receipt of letter or fax (not by phone) OMC may at its option not require part or parts to be returned.

## NON AMERICAN/CANADIAN RESIDENTS

The above warranty is administered by the OMC distributor in your country. Contact your dealer for the name of your OMC distributor.





# Broil King®

## MANUEL DE L'UTILISATEUR

OPÉRATION AU PROPANE LIQUIDE (LP)



AU CANADA, GAZ PROPANE  
ANSI Z21.58-2015 / CSA 1.6-2015

## TABLE DES MATIÈRES

MESURES DE SÉCURITÉ .....	14
INSTALLATION.....	14
BONBONNE DE PROPANE LIQUIDE .....	15
BONBONNE AVEC DISPOSITIF ANTI-DÉBORDEMENT (OPD).....	16
TUYAU ET RÉGULATEUR.....	16
TEST D'ÉTANCHÉITÉ .....	17
TUBES VENTURI .....	18
ALLUMAGE .....	19
FONCTIONNEMENT.....	20
TECHNIQUES DE CUISSON .....	20
ENTRETIEN .....	21
DÉPANNAGE .....	22
GARANTIE .....	23

### DANGER

S'IL Y A UNE ODEUR DE GAZ:

1. FERMER L'ALIMENTATION EN GAZ DE L'APPAREIL
2. ÉTEINDRE TOUTE FLAMME NUE
3. OUVREZ LE COUVERCLE
4. SI L'ODEUR PERSISTE, ÉLOIGNEZ-VOUS DE L'APPAREIL ET APPELEZ IMMÉDIATEMENT VOTRE FOURNISSEUR DE GAZ OU LES POMPIERS



### AVERTISSEMENT

1. NE PAS ENTREPOSER NI UTILISER D'ESSENCE OU AUTRES VAPEURS OU LIQUIDES INFLAMMABLES À PROXIMITÉ DE CET APPAREIL.
2. UNE BONBONNE DE PROPANE QUI N'EST PAS RACCORDÉE À L'APPAREIL NE DEVRAIT PAS ÊTRE ENTREPOSÉE À PROXIMITÉ DE CET APPAREIL OU DE TOUT AUTRE APPAREIL.



**VEUILLEZ INSCRIRE LE NUMÉRO DE MODÈLE, LE NUMÉRO DE SÉRIE ET LA DATE D'ACHAT ICI.**

Ces renseignements se trouvent sur une étiquette d'avertissement noire et argent d'OMC à l'arrière ou sur le côté de votre barbecue au gaz.

Numéro de modèle					-			
Numéro de série		-						
Date d'achat		/		/				
		JJ		MM		AAAA		

LIRE ATTENTIVEMENT CES DIRECTIVES AVANT D'UTILISER VOTRE BARBECUE.  
GARDER CES INSTRUCTIONS POUR RÉFÉRENCE FUTURE.  
POUR LES INSTRUCTIONS D'ASSEMBLAGE, CONSULTER VOTRE MANUEL D'ASSEMBLAGE.  
OU  
VISITER [www.omcbbq.com](http://www.omcbbq.com) POUR VISIONNER NOS VIDÉOS D'ASSEMBLAGE.

1-800-265-2150  
info@omcbbq.com

**Onward**  
MANUFACTURING COMPANY  
SINCE 1906  
585 KUMPF DRIVE  
WATERLOO, ONTARIO, CANADA  
N2V 1K3  
LIMITED

FR

# MESURES DE SÉCURITÉ

Votre nouveau barbecue au gaz OMC est un appareil sécuritaire et pratique lorsqu'il est assemblé et utilisé correctement. Toutefois, comme tout appareil fonctionnant au gaz, certaines mesures de sécurité s'imposent. **Le non respect de ces mesures de sécurité peut causer de sérieux dommages ou des blessures graves.** Si vous avez des questions en ce qui concerne l'assemblage ou le fonctionnement de l'appareil, consultez votre marchand, technicien d'appareils à gaz, compagnie de gaz ou notre service à la clientèle au 1-800-265-2150. [info@omcbbq.com](mailto:info@omcbbq.com)

## ATTENTION

- **UTILISER À L'EXTÉRIEUR SEULEMENT.**
- **POUR L'ENTREPOSAGE INTÉRIEUR, DÉTACHER LA BONBONNE ET LA RANGER À L'EXTÉRIEUR.**
- **NE PAS FAIRE FONCTIONNER CET APPAREIL SANS SURVEILLANCE.**
- **PRENDRE LES PRÉCAUTIONS NÉCESSAIRES POUR ÉLOIGNER LES ENFANTS DES SURFACES CHAUDES.**

Soyez prudent lorsque vous déplacez l'appareil. Les angles de métal peuvent être coupants. Utilisez les gants appropriés pour soulever ou déplacer le barbecue. Avant de soulever le barbecue, retirer les tablettes latérales et les grilles de cuisson.

## PRÉCAUTIONS AVEC L'ÉLECTRICITÉ

1. Si vous utilisez un accessoire qui nécessite une source de courant électrique avec ce barbecue, l'accessoire doit être mis à la terre lorsqu'il est installé, selon les normes locales en vigueur. En l'absence de normes locales, les normes suivantes s'appliquent:

(É.-U.) ANSI/NFPA No. 70- Dernière édition et  
(Canada) CSA C22.1 Code Canadien de L'électricité

2. Ne jamais couper ou enlever la broche de masse de la fiche électrique.
3. Éloigner le fil électrique et le boyau d'alimentation en gaz de toute surface chauffée.

## AVERTISSEMENT LIÉ À LA PROPOSITION 65

La manipulation du matériel en laiton de ce produit vous expose au plomb, un produit chimique identifié par l'État de la Californie comme cause de cancer, de malformations congénitales et d'autres troubles de l'appareil reproducteur. **SE LAVER LES MAINS APRÈS AVOIR MANIPULÉ CE PRODUIT.**

## AVERTISSEMENT

Les combustibles utilisés dans les appareils à l'huile ou au gaz et leurs produits de combustion contiennent des produits chimiques identifiés par l'État de la Californie comme cause de cancer, d'anomalies congénitales et autres anomalies du système reproducteur. « Cet avertissement est émis en vertu du California Health and Safety Code Sec. 25249.6" »

# INSTALLATION

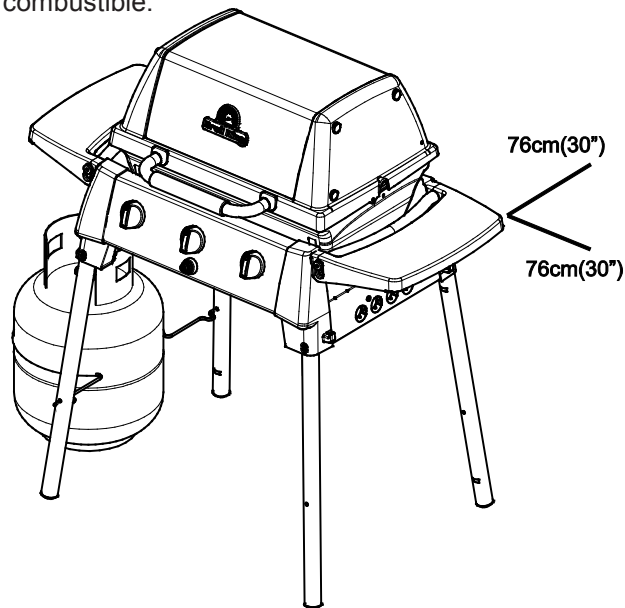
1. Aux États-Unis, cet appareil doit être installé selon les normes locales et la norme nationale applicable:

**ANSI Z223.1/NFPA 54 – Dernière édition du National Fuel Gas Code et plus récentes normes locales, s'il y a lieu.**

2. Au Canada, cet appareil doit être installé selon les normes locales et les normes applicables de la CSA:

**CSA-B149.1 Code d'installation d'appareils fonctionnant au Gaz Naturel ou au Propane**

3. Les côtés et l'arrière de l'appareil doivent être éloignés d'un minimum de 76cm / 30" de toute surface combustible.



4. **Ne pas** utiliser cet appareil sous une toiture ou un feuillage.
5. Cet appareil est conçu pour être **UTILISÉ À L'EXTÉRIEUR SEULEMENT. NE PAS UTILISER** dans un garage, un cabanon, sur un balcon ou tout endroit clos.
6. **NE PAS** limiter la circulation d'air à l'appareil.
7. Garder les environs de l'appareil libres de matières combustibles, d'essence et de tout liquide et vapeur inflammables.
8. Cet appareil n'est pas conçu pour être installé sur ou dans un véhicule récréatif ou un bateau.

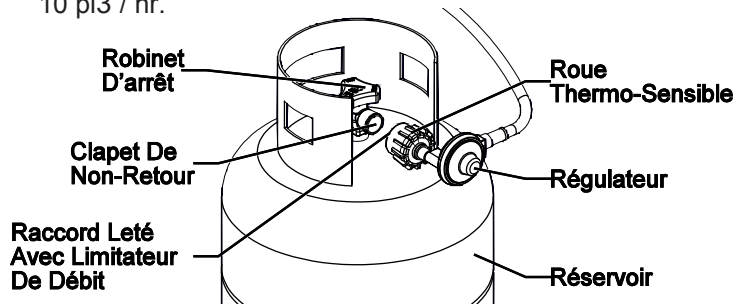
## INSTALLATION DE BONBONNE DE GAZ PROPANE

Les instructions suivantes s'appliquent seulement aux modèles LP. Les bonbonnes de gaz propane doivent être installées selon les instructions d'assemblage en utilisant les supports fournis. N'entreposez jamais une bonbonne de rechange sous cet appareil ou à proximité. Toutes les bonbonnes utilisées doivent être compatibles avec le support de rétention fourni.

# BONBONNE DE GAZ PROPANE

## QCC®-1 RACCORD À FERMETURE RAPIDE

1. Tous les modèles de barbecues au gaz OMC sont conçus pour une utilisation avec une bonbonne de gaz propane équipée du système QCC®-1 de raccord à fermeture rapide.
2. Le système QCC®-1 incorpore les dispositifs de sûreté exigés par l'American National Standards Institute (ANSI) et le Conseil canadien des normes.
  - Le gaz circule seulement si une connexion positive est établie.
  - Un élément thermo-sensible stoppe le débit du gaz entre 240° et 300° F.
  - Lorsqu'activé, un limiteur de débit limite le débit du gaz à 10 pi3 / hr.



3. La bonbonne n'est pas fournie avec le barbecue au gaz. Procurez-vous une bonbonne munie du raccord QCC®. Ce raccord est reconnaissable grâce au filetage extérieur sur son orifice d'alimentation. Les bonbonnes munies du raccord QCC® sont disponibles chez votre détaillant de barbecues.

**NOTE: Toute tentative de connexion du régulateur à l'aide d'adaptateurs ou d'autres moyens à une autre soupape pourrait causer dommages, incendies ou blessures et annuler les caractéristiques importantes de sécurité que procure le système QCC®.**

## SPÉCIFICATIONS

1. Toutes les bonbonnes utilisées avec cet appareil doivent être fabriquées et identifiées selon la norme Specifications for LP gas cylinders du U.S. Department of Transportation (D.O.T.) ou la norme CAN/CSA-B339, Bouteilles et tubes pour le transport de marchandises dangereuses des Normes nationales du Canada, selon le cas.
2. La capacité de la bonbonne utilisée avec cet appareil ne doit pas excéder 20 lb (9 kg).
  - Taille approximative: 18" (46 cm) de hauteur et 12" (31cm) de diamètre.
3. Toutes les bonbonnes utilisées avec cet appareil doivent être inspectées à chaque remplissage et requalifiées par un distributeur autorisé à la date d'expiration (10) ans selon les normes du DOT (É.-U.) et le l'Office des transports du Canada (Canada).
4. Toutes les bonbonnes utilisées avec cet appareil doivent être munies d'un robinet d'arrêt se raccordant à un robinet de réglage N° 510, tel que stipulé par les normes «Standard for Compressed Gas Cylinder Valve Outlet and Inlet Connection» (É.-U.) et ANSI/CGA-V-1-1977 (Canada) CSA B96.
5. Le système d'alimentation de la bonbonne doit permettre à la vapeur de s'échapper.

6. La bonbonne doit être munie d'un rebord pour protéger le robinet d'arrêt.
7. La bonbonne doit être installée conformément aux instructions d'assemblage.
8. Ne jamais remplir la bonbonne à plus de 80 % pour éviter un incendie qui pourrait causer de sérieuses blessures ou la mort.
9. La bonbonne doit être munie d'un robinet de sûreté et de décharge directement relié à la phase gazeuse à l'intérieur du réservoir.

## MANUTENTION

1. Les règlements gouvernementaux interdisent l'expédition de bonbonnes de propane pleines. Vous devez faire remplir votre nouvelle bonbonne chez un détaillant de propane.
2. Une bonbonne de propane pleine est sous extrême pression. Toujours la manipuler avec soin et la transporter en position verticale. Protéger la soupape de dommages accidentels.
3. Ne pas incliner la bonbonne lorsque vous la fixez au régulateur. Fixez solidement la bonbonne pendant le transport, l'utilisation et l'entreposage.
4. Si la bonbonne est inclinée après sa connexion au régulateur, débranchez le régulateur et faites vérifier la bonbonne avant de la réutiliser.

## ENTREPOSAGE

1. Conserver la bonbonne à l'extérieur, dans un endroit bien aéré.
2. Ne pas entreposer la bonbonne en plein soleil ou près d'une source de chaleur ou de combustion.
3. Si vous rangez votre barbecue à l'intérieur, débranchez d'abord la bonbonne. Les bonbonnes déconnectées doivent être munies d'un bouchon anti-poussière et ne pas être entreposées dans un bâtiment, un garage ou tout autre espace clos.
4. Garder hors de la portée des enfants.
5. Lorsque la bonbonne est connectée au barbecue, ils doivent être entreposés à l'extérieur, dans un endroit bien aéré.

## FONCTIONNEMENT

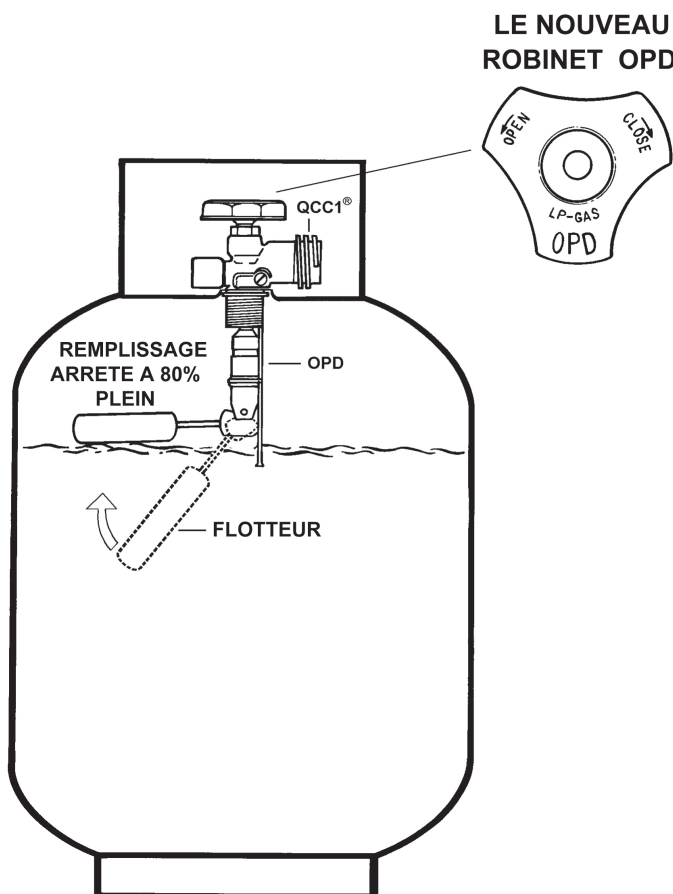
1. Ne jamais brancher votre barbecue au gaz à une bonbonne sans utiliser le régulateur fourni et **JAMAIS À UNE SOURCE DE GAZ PROPANE NON RÉGLEMENTÉE**. Vous devez utiliser le régulateur fourni avec le barbecue.
2. **Toujours** effectuer un test d'étanchéité quand vous connectez la bonbonne à votre appareil. Consultez « Test d'étanchéité ».
3. **Ne jamais** faire fonctionner l'appareil lorsqu'il y a une odeur de gaz propane. Éteindre toute flamme et déterminer la source de l'odeur avant de continuer. **Ne pas** allumer l'appareil avant d'avoir trouvé et scellé la source de la fuite de propane.
4. **Toujours** fermer le robinet de la bonbonne quand l'appareil n'est pas utilisé.

## DISPOSITIF DE PRÉVENTION DE TROP-PLEIN

1. La norme ANSI Z21.58/CAN/CGA-1.6 pour les appareils au gaz extérieurs exige qu'ils doivent être utilisés avec une bonbonne équipée d'un dispositif d'arrêt volumétrique ou Overfill Prevention Device (OPD).
2. L'OPD a été conçu pour réduire la possibilité de remplissage excessif de la bonbonne de propane, diminuant ainsi la possibilité qu'une soupape de sûreté ne dégage du propane brut. **Avec un OPD, la purge et le remplissage s'effectuent plus lentement.** Des postes de remplissage ont indiqué aux consommateurs que ces bonbonnes étaient "défectueuses" **Ce n'est pas le cas.** Il est possible que certains détaillants ne connaissent pas ce dispositif et son effet sur la purge et le remplissage.
3. Les nouveaux OPD sur le marché possèdent une technologie qui permet d'atteindre une meilleure performance en BTU, réduisant le temps requis pour la purge d'une bonbonne.

## IDENTIFICATION

Pour identifier ces bonbonnes, la forme du robinet OPD est standard, tel que démontré ci-dessous.



LE NOUVEAU  
ROBINET OPD

1. Tous les modèles sont équipés d'un régulateur avec un raccord pour connexion rapide QCC®-1.
2. La connexion QCC possède un dispositif magnétique limitateur de débit de gaz dans le cas d'une fuite entre le régulateur et la soupape de l'appareil. Ce dispositif sera activé si le robinet de la bonbonne est ouvert quand les soupapes du barbecue sont ouvertes. **Assurer que les soupapes du barbecue sont fermées avant d'ouvrir le robinet de la bonbonne pour prévenir une activation accidentelle.**
3. Le raccord QCC® est muni d'une roue thermosensible qui fermera le module arrière de la bonbonne QCC® si la température atteint de 240° à 300°F. Si cela se produisait, ne tentez pas de rebrancher. Remplacer l'assemblage du tuyau et du régulateur avec un neuf.
4. Le régulateur de pression est réglé à 11 po CE (colonne d'eau) et convient seulement pour le gaz propane. Le tuyau et les accouplements sont conformes à la norme CGA CAN 1.83. Ne pas tenter de modification ou de substitution.
5. Protéger le tuyau des graisses de **cuisson qui s'égouttent et l'éloigner de toute surface chaude**, y compris le fond du boîtier du barbecue.
6. Inspecter le joint du raccord de la soupape QCC® de la bonbonne lorsque vous remplacez la bonbonne, ou une fois l'an, selon le plus fréquent. Remplacer le joint s'il y a des fissures, plis ou abrasions.
7. Inspecter le tuyau avant chaque utilisation. Si vous observez des fissures, coupures, abrasions ou tout autre dommage, ne pas utiliser l'appareil.
8. Pour la réparation ou le remplacement de l'assemblage du tuyau et du régulateur, communiquer avec le service à la clientèle au 1-800-265-2150 ou [info@omcbbq.com](mailto:info@omcbbq.com)

## RACCORDEMENT

1. S'assurer que le robinet de la bonbonne et le barbecue sont fermés.
2. Placer la bonbonne pleine sur le support à bonbonne tel qu'indiqué dans les instructions d'assemblage.
3. Centrer le raccord sur le clapet de la bonbonne et tenir en place. Avec l'autre main, tournez la roue dans le sens des aiguilles d'une montre jusqu'au bout. Ne pas utiliser d'outils. **Serrer à la main. Lors du raccordement, tenir le régulateur parallèle au clapet de la bonbonne pour assurer un raccord parfait.**
4. Vérifier l'étanchéité. Voir "Test d'étanchéité"
5. Référez-vous aux instructions d'allumage. **Pour éviter l'activation du limitateur de débit, ouvrez la bonbonne lentement et vérifiez que le barbecue est éteint.** Si le limitateur de débit est accidentellement activé, fermer la bonbonne et les soupapes du barbecue, attendre 10 secondes, et rouvrir lentement le robinet de la bonbonne et ensuite, les soupapes du barbecue.

## DÉCONNEXION

Toujours fermer le robinet de la bonbonne et enlever l'écrou de raccordement avant de déplacer la bonbonne de sa position d'utilisation.



# TEST D'ÉTANCHÉITÉ

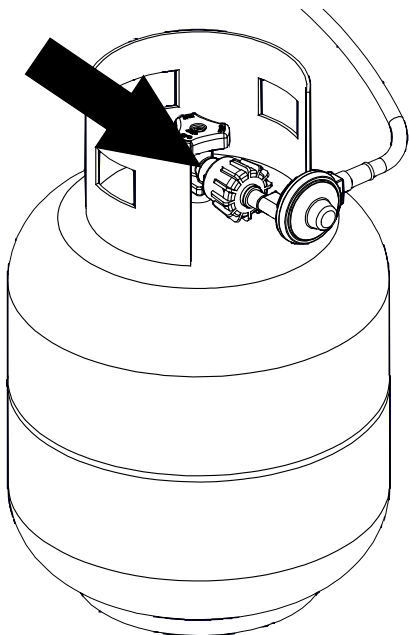
Toutes les connexions fabriquées en usine ont été testées pour des fuites de gaz. Toutefois, à l'expédition et à la manutention, un raccord pourrait s'être desserré.

## MESURES DE PRÉCAUTION:

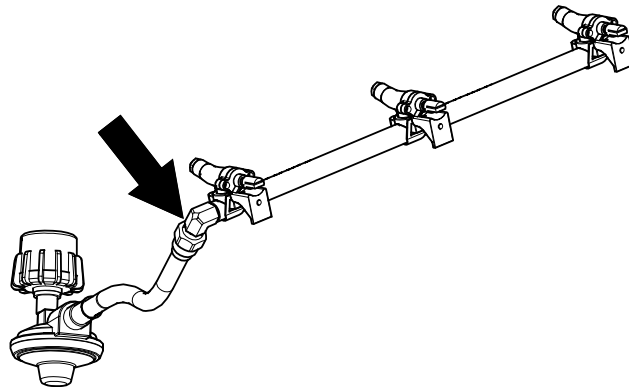
- Vérifier l'étanchéité de toutes les connexions avant d'utiliser votre barbecue au gaz.
- Tester la soupape de la bonbonne pour des fuites possibles à chaque remplissage.
- Tester s'il y a des fuites à chaque fois que vous branchez un raccord de gaz.
- Ne jamais fumer lorsque vous testez l'étanchéité.
- Ne jamais vérifier s'il y a des fuites à l'aide d'une allumette ou d'une flamme nue.
- Effectuer le test d'étanchéité à l'extérieur.

## VÉRIFICATION DES FUITES DE GAZ:

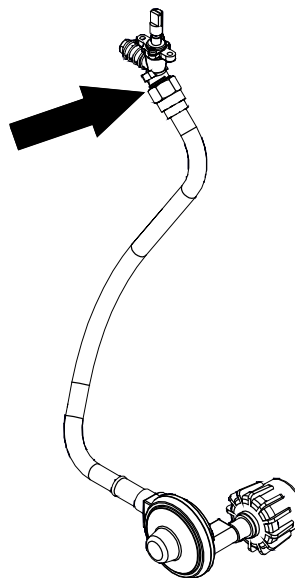
1. Éteindre toute flamme nue ou cigarette à proximité.
2. Assurer que les soupapes de la bonbonne et l'appareil sont fermés
3. Connecter la bonbonne. Voir "Tuyau et régulateur".
4. Préparer une solution savonneuse: parties égales d'eau et de détergent liquide.
5. Ouvrir lentement le robinet de la bonbonne pleine.
6. Avec un pinceau, brosser la solution savonneuse sur chaque raccord.
7. Si la solution fait des bulles, il y a une fuite à cet endroit-là.
8. Si vous détectez une fuite, fermer le robinet de la bonbonne, resserrer la connexion et tester à nouveau.
9. Si la fuite persiste, communiquez avec votre détaillant. Ne pas faire fonctionner l'appareil s'il y a une fuite.



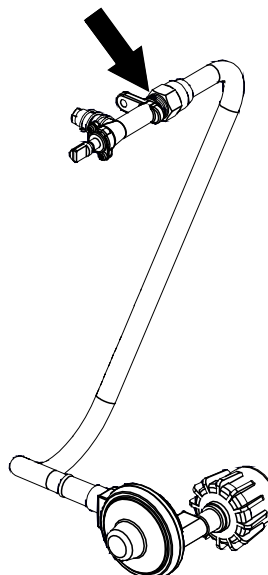
## PORTA-CHEF 320



## PORTA-CHEF 120



## PORTA-CHEF 100



# TUBES VENTURI

## PORTA-CHEF 100 / 120

Toujours garder les tubes venturi propres. Les obstructions des tubes de venturi causées par les araignées, les insectes et les nids peuvent s'enflammer. Même si le barbecue s'allume, le gaz accumulé peut s'enflammer au niveau des tubes venturi, du tableau de contrôle ou du brûleur latéral.



S'il y a un retour de flamme, fermer immédiatement la source de gaz.

Inspecter et nettoyer les tubes venturi (brûleur principal, brûleur latéral et brûleur arrière) si vous notez ce qui suit:

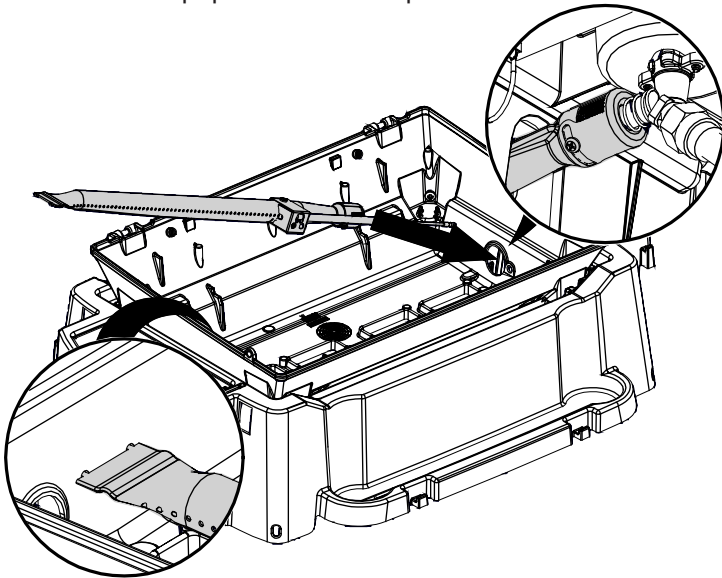
1. Une odeur de gaz.
2. Votre barbecue n'atteint pas la température désirée.
3. La température du barbecue n'est pas uniforme.
4. Les brûleurs émettent des crépitements.

### INSPECTION ET NETTOYAGE

1. Fermer l'alimentation en gaz à l'aide du robinet de la bonbonne.
2. Lorsque le barbecue est refroidi, pousser le brûleur vers la vanne et soulever le brûleur du boîtier du barbecue.
3. Nettoyer les tubes venturi avec une tige ou accessoire de nettoyage à venturi (accessoire #77310 ou #18270).

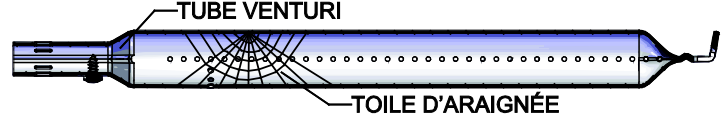


4. Abaisser le brûleur en position dans le boîtier du barbecue à gaz, en veillant à ce que le tube venturi est correctement aligné et monté sur l'orifice. Poussez vers la soupape et monter en place.



## PORTA-CHEF 320

Toujours garder les tubes venturi propres. Les obstructions des tubes de venturi causées par les araignées, les insectes et les nids peuvent s'enflammer. Même si le barbecue s'allume, le gaz accumulé peut s'enflammer au niveau des tubes venturi, du tableau de contrôle ou du brûleur latéral.



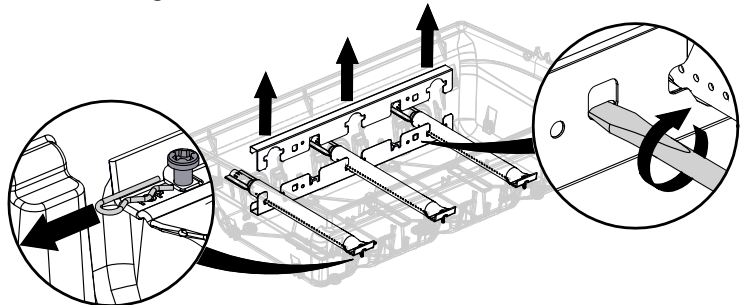
S'il y a un retour de flamme, fermer immédiatement la source de gaz.

Inspecter et nettoyer les tubes venturi (brûleur principal, brûleur latéral et brûleur arrière) si vous notez ce qui suit:

1. Une odeur de gaz.
2. Votre barbecue n'atteint pas la température désirée.
3. La température du barbecue n'est pas uniforme.
4. Les brûleurs émettent des crépitements.

### INSPECTION ET NETTOYAGE

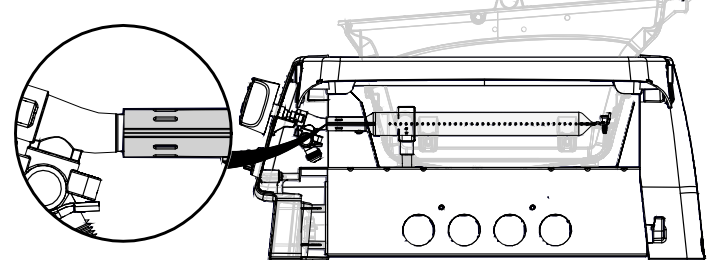
1. Fermer l'alimentation en gaz à l'aide du robinet de la bonbonne.
2. Lorsque le barbecue est refroidi, enlever les attaches de retenue des brûleurs et la partie supérieure du coffrage. Soulever les brûleurs du fond du boîtier.



3. Nettoyer les tubes venturi avec une tige ou accessoire de nettoyage à venturi (accessoire #77310 ou #18270).

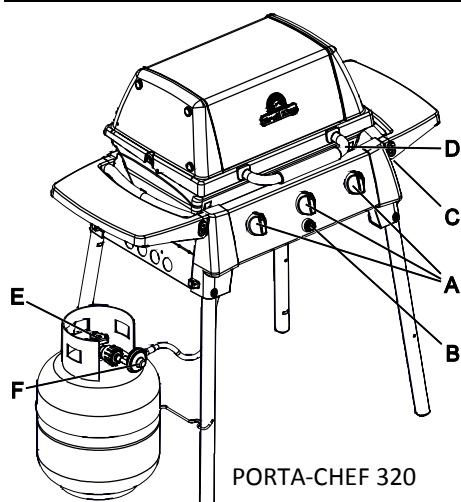


4. Replacer le brûleur dans sa position originale dans le boîtier en veillant à ce que les tubes venturi soient bien alignés avec les orifices.

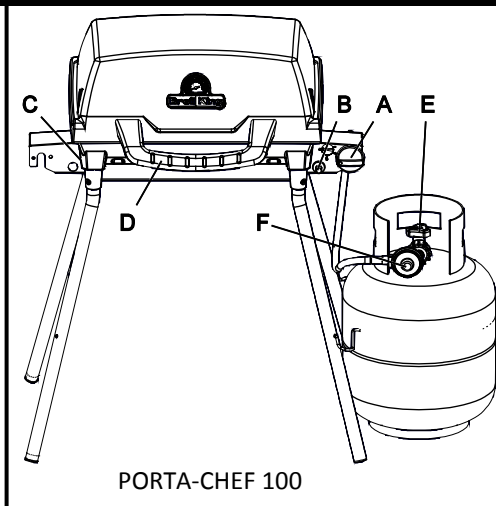


5. Replacer les attaches de retenue des brûleurs.
6. Remettre le couvercle du coffrage en place.

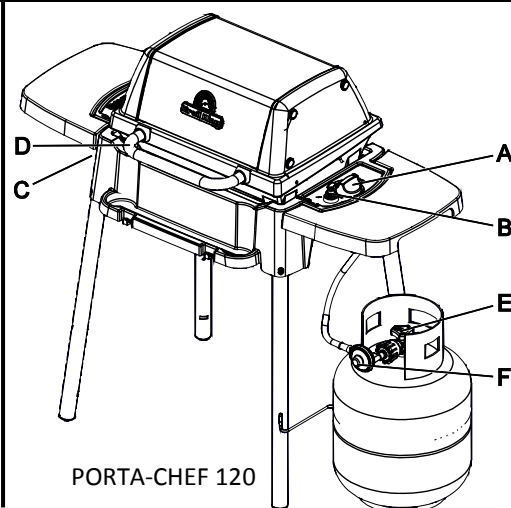
# ALLUMAGE



PORTA-CHEF 320



PORTA-CHEF 100



PORTA-CHEF 120

- |                        |               |
|------------------------|---------------|
| A. CONTRÔLE DE BRÛLEUR | D. POIGNÉE    |
| B. ALLUMEUR            | E. SOUPAPE    |
| C. TROU D'ALLUMAGE     | F. RÉGULATEUR |

## INSTRUCTIONS D'ALLUMAGE

1. L'appareil doit être assemblé selon les instructions d'assemblage.
2. S'assurer que la bonbonne de propane est pleine et bien branchée au régulateur. Voir "Tuyau et régulateur".
3. S'assurer qu'il n'y a pas de fuites de gaz dans le système d'alimentation de gaz. Voir: "Test d'étanchéité".
4. Veiller à ce que les tubes venturi sont bien situés sur les orifices des soupapes de gaz (voir le diagramme de venturi)
5. S'assurer que les câbles d'allumeurs sont connectés.
6. Lire attentivement toutes les instructions figurant sur la plaque de renseignements apposée au barbecue.
7. **AVERTISSEMENT: Toujours ouvrir le boîtier pendant l'allumage et ne pas se pencher au-dessus.**
8. Placer les boutons de contrôle à "OFF" et ouvrir le robinet de la bonbonne de gaz.

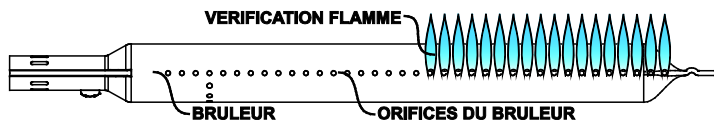
### ALLUMAGE DU BRÛLEUR PRINCIPAL:

- a. Ouvrir le boîtier et fermer seulement une fois allumé.
- b. Vérifier que la pile est installée dans le système d'allumage électronique.
- c. Pousser et tourner le bouton de l'un des brûleurs principaux à "HIGH".
- d. Pousser le bouton d'allumage et maintenir la pression ou allumer à l'aide d'une allumette.
- e. Le brûleur devrait s'allumer en 5 secondes, sinon, fermez immédiatement la source de gaz si le barbecue ne s'allume pas. Pour allumer le brûleur avec une allumette, voir f. ci-dessous.
- f. Insérer l'allumette dans le trou d'allumage sur le côté inférieur droit ou sur le côté inférieur gauche du boîtier.
- g. Pousser et tourner le bouton de contrôle du brûleur principal droit à "HIGH".
- h. Le brûleur devrait s'allumer en 5 secondes

- i. Après l'allumage du premier brûleur, pousser et tourner le bouton de contrôle adjacent à "HIGH" et répéter pour les autres brûleurs qui devraient s'allumer automatiquement, sans l'allumeur.

### ATTENTION – Vérifier votre barbecue une fois allumé.

Les orifices du brûleur devraient produire des flammes de 2.5cm / 1" au réglage "HIGH".



Si vous notez les problèmes suivants, il est possible que les tubes venturi soient bloqués. Fermer immédiatement le gaz et nettoyer les tubes venturi. Voir "Tubes Venturi".

1. Une odeur de gaz.
2. Il y a un retour de flamme.
3. La température du barbecue n'est pas uniforme.
4. Les brûleurs émettent de crépitements.

### SI LE BRÛLEUR NE S'ALLUME PAS:

1. Pousser et tourner le bouton de contrôle à "OFF". Attendre 5 minutes et essayer encore, avec le bouton de contrôle à "MEDIUM".
2. Si un brûleur ne s'allume pas, voir "Dépannage". Si le problème persiste, ne pas faire fonctionner l'appareil. Communiquez avec OMC, votre détaillant ou un centre de service approuvé.

### ÉTEINDRE L'APPAREIL:

1. Fermer le robinet de la bonbonne.
2. Tournez les boutons de contrôle à "OFF".

# FONCTIONNEMENT

**Première utilisation:** Avant de cuisiner avec votre barbecue pour la première fois, allumez-le pour brûler toute odeur ou corps étranger, comme suit:

1. Les grilles de cuisson en place, allumez le barbecue au gaz en suivant les instructions d'allumage (page 6) et faire fonctionner le barbecue à "**HIGH**" de **10 à 15 minutes**. Ensuite, fermer l'alimentation en gaz et tourner tous les boutons de contrôle à "OFF".
2. Quand le barbecue est refroidi, vaporiser ou enduire généreusement toute la surface et les coins des grilles de cuisson d'huile d'olive ou végétale. Les grilles en fonte devraient être légèrement enduites à chaque utilisation.
3. Vous êtes prêt pour la cuisson. Passez au "préchauffage".

**Préchauffage :** Préchauffer le barbecue à MEDIUM/HIGH pendant 10 minutes, le couvercle fermé. Réduire la température selon ce que vous allez griller. Brosser fermement les grilles de cuisson avec une brosse en métal. Ensuite, enduire ou vaporiser les grilles d'huile d'olive ou végétale pour éviter que les aliments ne collent aux grilles.

**Position du couvercle :** La position du couvercle pendant la cuisson est une question de préférence personnelle mais le barbecue cuit plus rapidement, utilise moins de propane et contrôle mieux la température lorsque le couvercle est fermé. Un couvercle fermé donne aussi un goût plus fumé aux viandes cuites directement sur les grilles et est aussi indispensable pour la fumaison ou la cuisson à convection.

**Système de vaporisation :** Votre barbecue est conçu pour fonctionner avec le système de vaporisation Flav-R-Wave™ compris. Ne pas utiliser de pierres de lave, de briquettes en céramique ou tout autre système de vaporisation autre que celui fourni avec votre barbecue.

## TEMPÉRATURES DE CUISSON

**Réglage élevé :** La température à la surface des grilles est d'environ 600 – 650°F (320 – 340°C). Utiliser cette température pour chauffer rapidement le barbecue ou brûler les résidus d'aliments des grilles à la fin de la cuisson. Cette température est aussi idéale pour saisir des steaks avant de réduire la température. L'option de cuisson "HI" n'est que très rarement utilisée et ne convient pas à de longues périodes de cuisson.

**Moyen/élevé :** Produit une température à la surface des grilles d'environ 550°F (290 C) avec le couvercle fermé. Utiliser pour réchauffer le barbecue et pour cuire des steaks et côtelettes.

**Moyen :** Produit une température d'environ 450° F (230°C) à l'intérieur du barbecue avec le couvercle fermé. Utiliser pour griller la volaille, les hamburgers, les légumes, pour rôtir et la cuisson au four.

**Bas :** Produit une température d'environ 310- 350° F (155-175° C) à l'intérieur du barbecue avec le couvercle fermé. Utiliser pour la fumaison, de grosses coupes de viande, des poissons délicats et pour la pâte et la pâtisserie, telles des quesadillas.

**Ces températures sont approximatives et varient selon la température ambiante et la force du vent.**

# TECHNIQUES DE CUISSON

## CUISSON DIRECTE

La cuisson directe est une méthode qui cuit les aliments sur les grilles au-dessus d'un brûleur allumé. Il s'agit de la méthode la plus populaire de cuire les portions individuelles tels steaks, côtelettes, poisson, hamburgers, brochettes et légumes.

1. Préparer la nourriture d'avance pour éviter les délais dans la coordination du repas. Si vous utilisez une marinade ou des épices, appliquer avant de placer la viande sur la grille de cuisson. Si vous badigeonnez, faites-le de 2 à 4 minutes avant la fin de la cuisson pour éviter la carbonisation.
2. Fourchettes, pinces, gants, sauces et assaisonnements devraient se trouver à proximité afin de ne pas devoir quitter le barbecue pendant la cuisson.
3. La viande doit être à la température de la pièce avant la cuisson. Ôter le surplus de graisse de la viande pour minimiser les flambées causées par la graisse qui s'égoutte.
4. Préchauffer le barbecue à la température désirée avec le couvercle fermé.
5. Enduire les grilles d'huile d'olive ou végétale pour prévenir que les aliments n'adhèrent aux grilles.
6. Ne pas saler la viande pendant la cuisson au barbecue. La viande demeure plus juteuse si on ajoute le sel après la cuisson.
7. Pour éviter des steaks "secs" utiliser des pinces plutôt qu'une fourchette et débiter la cuisson à "MEDIUM/HIGH" pour saisir la viande et sceller la saveur. Réduire la chaleur et allonger la durée de cuisson pour griller des tranches de viande plus épaisses.
8. Apprenez à vérifier si la viande est à point selon le temps de cuisson et son apparence. La viande s'affermi en cuisant. Un steak mou est saignant, un steak ferme est bien cuit.
9. Suivez le guide de grillade du steak parfait pour la plupart des viandes, poissons, volailles et légumes.

### GUIDE POUR LA GRILLADE DU BIFTECK PARFAIT

DÉPOSEZ LE BIFTECK À ANGLE SUR UNE GRILLE CHAUDE. 2 min.

RETOURNEZ LE BIFTECK COMME ILLUSTRÉ CI-DESSOUS. 2 min.

RETOURNEZ LE BIFTECK UNE DEUXIÈME FOIS. 2 min.

RETOURNEZ LE BIFTECK UNE DERNIÈRE FOIS. 2 min.

Épaisseur de la viande		Réglage de chaleur	Temps de cuisson par côté				Temps total
1 1/2"	1"		A	B	C	D	
	Rare	Haut	1 3/4	1 3/4	1 3/4	1 3/4	7 minutes
Saignant	Mi-saignant	Moyen/Haut	2	2	2	2	8 minutes
Mi-saignant	Moyen	Moyen/Haut	2 1/4	2 1/4	2 1/4	2 1/4	9 minutes
Moyen	Bien cuit	Moyen	2 1/2	2 1/2	2 1/2	2 1/2	10 minutes
Bien cuit		Moyen	3	3	3	3	12 minutes



# ENTRETIEN

## ENTRETIEN RÉGULIER

Les composantes suivantes devraient être inspectées et nettoyées (au besoin) avant chaque utilisation du barbecue au gaz pour une performance optimale, sécuritaire et efficace.

### GRILLES DE CAISSON

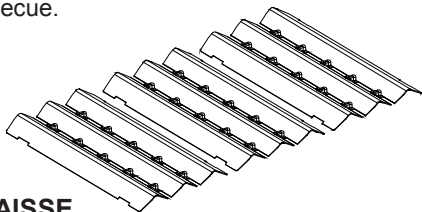
Enlever tout aliments de sur les grilles, tourner les valves au réglage à 'élevé', laisser pour une période ne dépassant pas 10 minutes ou quand la fumée s'arrête. Tourner la valve de la bonbonne à 'OFF (arrêt)' suivi des valves des brûleurs aussi à 'Off (arrêt)'. Utiliser une brosse en laiton avec manche long pour nettoyer les grilles. Le port de mitaines à four pour tenir la brosse est de rigueur vu que le gril est chaud. Ce n'est pas nécessaire de laver et nettoyer les grilles après chaque utilisation, mais si vous le voulez, utiliser un savon doux dans une solution d'eau. Ne jamais utiliser un nettoyeur commercial à four.

### GRILLES DE CUISSON EN FONTE

Toutes les grilles de cuisson en fonte OMC sont enduites d'un émail de porcelaine durable qui protège la grille et empêche les aliments de coller. Avec toutes les grilles de cuisson en fonte OMC, il n'est plus nécessaire d'allumer le barbecue à la puissance élevée après chaque utilisation pour brûler résidus. Nous recommandons de laisser des résidus alimentaires sur les grilles et d'allumer le barbecue à puissance maximale (voir ci-dessous) avant l'utilisation; cela favorise la formation d'une couche d'huile protectrice sur les grilles, qui prévient l'apparition de la rouille et de la détérioration. Les grilles de cuisson doivent être huilées avant chaque utilisation en les enduisant ou vaporisant d'huile d'olive ou végétale. Assurer que toute la surface des grilles est recouverte d'une mince couche d'huile. Ceci aide à prévenir la rouille et la détérioration. Si vous apercevez de la rouille, gratter doucement avec un tampon à récurer et huiler généreusement. Durant de longues périodes d'inutilisation, les grilles devraient être huilées, essuyées et entreposées dans un endroit sec. Avant la première utilisation ou après de longues périodes d'entreposage, les grilles devraient être nettoyées (voir Grilles de cuisson, à droite), bien essuyées et huilées généreusement avec un shortening végétal ou de l'huile végétale ou d'olive.

### FLAV-R-WAVE™

Si des résidus s'accumulent sur le Flav-R-Wave™, enlever les grilles de cuisson et gratter les résidus sur le Flav-R-Wave™ avec votre brosse à barbecue.



### PLATEAU À GRAISSE

Le plateau à graisse est situé directement sous le drain d'où s'égoutte la graisse. Il est accessible par le côté ou l'arrière du barbecue et devrait être nettoyé ou remplacé régulièrement pour éviter que la graisse excédentaire ne s'écoule sur votre patio.

### NETTOYAGE GÉNÉRAL

Effectuer un brûlage (voir ci-dessous). Quand le barbecue est froid, enlever les grilles, nettoyer le Flav-R-Wave™ en grattant, puis l'enlever. Si nécessaire, nettoyer l'intérieur du barbecue au gaz en grattant les côtés et le fond du boîtier et passer l'aspirateur.

### BRÛLAGE

Allumer les brûleurs, voir "Brûlage". Faire fonctionner le barbecue à HIGH, couvercle fermé, pendant 10 minutes ou jusqu'à ce qu'il n'y ait plus de fumée. Fermer la source de gaz et tourner les boutons de contrôle à OFF.

## ENTRETIEN ANNUEL

Les composantes suivantes doivent être inspectées et nettoyées au moins une fois par an ou après toute période d'entreposage de plus de 30 jours pour une performance optimale, sécuritaire et efficace.

### BRÛLEUR

Enlever le brûleur et examiner pour des signes de détérioration ou fissures. Nettoyer les tubes venturi à l'aide d'une tige ou d'une brosse à venturi pour éliminer les blocages. Voir "Tubes venturi". Pendant que le brûleur est enlevé, nettoyer l'intérieur du boîtier en grattant les côtés et le fond et ensuite passer l'aspirateur.

### TUYAU

Examiner et remplacer, au besoin, pour les modèles au gaz naturel, voir "Tuyau d'alimentation en gaz" ou au propane voir "Tuyau et régulateur".

### FINI EXTÉRIEUR

Si des taches d'oxydation blanches apparaissent, laver l'extérieur du boîtier avec de l'eau et un détergent doux. Bien rincer les surfaces et les essuyer avec un chiffon imbibé d'huile de cuisson pour leur redonner leur lustre. Pour réparer les égratignures ou les marques sur la peinture, retoucher avec une peinture à pulvériser de bonne qualité pour surfaces à HAUTE température (600°F). La rouille est un processus d'oxydation naturel qui peut apparaître sur les grilles de cuisson et les composantes d'acier. Elle n'affectera pas la performance à court terme de votre barbecue.

### ACIER INOXYDABLE

Laver avec une solution d'eau savonneuse. Utiliser un nettoyant à inox pour polir et enlever les taches ou les marques. Les conditions atmosphériques et la chaleur extrême peuvent décolorer le couvercle en acier inoxydable au brun clair. Cette décoloration n'est pas considérée un défaut de fabrication.

### COMPOSANTES EN RÉSINE ET TABLETTES LATÉRALES

Nettoyer avec de l'eau savonneuse.

### PIÈCES DE RECHANGE

Si un problème survient avec le régulateur, le tuyau, les brûleurs, ou les boutons de contrôle, ne tentez pas de les réparer. Pour toute réparation ou pièce de rechange, voir votre détaillant ou un centre de réparation approuvé, ou communiquer avec le fabricant. Pour une performance optimale, n'utilisez que les pièces de rechange OMC.

### TEST D'ÉTANCHÉITÉ

Quand vous rebranchez une bonbonne aux modèles propane, vérifier s'il y a des fuites. Voir "Test d'étanchéité".

### GRILLES DE CUISSON

Pour nettoyer les grilles en acier inoxydable ou en fonte, utiliser de l'eau savonneuse, rincer et sécher avec un essuie-tout; ne jamais sécher les grilles à l'air ou les mettre au lave-vaisselle. Pour les grilles en fonte, huiler généreusement (voir "Grilles de cuisson en fonte", à gauche) après le nettoyage.

# DÉPANNAGE

PROBLÈME	CAUSE POSSIBLE	MESURE CORRECTIVE
<b>ODEUR DE GAZ</b>	<b>FERMER IMMÉDIATEMENT LE ROBINET DE LA BONBONNE DE PROPANE. NE PAS UTILISER L'APPAREIL JUSQU'À CE QUE LA FUITE SOIT SCELLÉE.</b>	
Fuite détectée à la bonbonne, au régulateur ou autre connexion.	<ol style="list-style-type: none"> <li>1. Raccord du régulateur desserré.</li> <li>2. Fuite de gaz dans le tuyau/régulateur ou la soupape de contrôle.</li> </ol>	<ol style="list-style-type: none"> <li>1. Resserrer et voir "Test d'étanchéité".</li> <li>2. Voir votre centre de service autorisé.</li> </ol>
Flammes sous le panneau de contrôle (retour de	<ol style="list-style-type: none"> <li>1. Venturi bloqué.</li> </ol>	<ol style="list-style-type: none"> <li>1. Enlever le brûleur et nettoyer le venturi. Voir "Tubes venturi".</li> </ol>
Flamme de brûleur vacillante ou Basse températures au réglage HIGH	<ol style="list-style-type: none"> <li>1. Le dispositif de sécurité limitateur de débit a été activé entre la bonbonne et le barbecue.</li> </ol>	<ol style="list-style-type: none"> <li>1. Fermer le robinet de la bonbonne de propane et éteindre tous les brûleurs. Débrancher le régulateur de la bonbonne. Attendre deux minutes. Rebrancher le régulateur à la bonbonne. Tourner le robinet de la bonbonne lentement. Attendre une minute. Allumer le barbecue (voir "Allumage").</li> </ol>
Le brûleur n'allume pas	<ol style="list-style-type: none"> <li>1. Panne de propane.</li> <li>2. Problème avec le bouton d'allumage.</li> <li>3. Le dispositif de sécurité limitateur de débit a été activé.</li> <li>4. Le régulateur n'est pas complètement connecté à la soupape de la bonbonne.</li> <li>5. Une fuite dans le système a activé le dispositif limitateur de débit.</li> <li>6. Venturi bloqué ou non aligné avec l'orifice de la soupape.</li> <li>7. Orifice(s) bloqué(s).</li> <li>8. Tuyau tordu.</li> </ol>	<ol style="list-style-type: none"> <li>1. Faire remplir la bonbonne.</li> <li>2. Tenter d'allumer manuellement le brûleur avec une allumette. Voir Allumage. Si le brûleur s'allume, le bouton d'allumage fait défaut. Voir Bouton d'allumage ne fonctionne pas ci-dessous.</li> <li>3. Suivre la solution Flamme de brûleur vacillante ou basse température au réglage HIGH ci-dessus.</li> <li>4. Serrer la roue à main du régulateur.</li> <li>5. Tester l'étanchéité des connexions pour déterminer la composante desserrée. Resserrer. Tester l'étanchéité du système.</li> <li>6. Enlever le brûleur, nettoyer le venturi et réaligner avec l'orifice de la soupape.</li> <li>7. Enlever le brûleur et nettoyer les orifices avec une aiguille ou un fil en métal. N'utilisez pas une perceuse.</li> <li>8. Redresser le tuyau. Éloigner du fond du boîtier.</li> </ol>
Le bouton d'allumage ne fonctionne pas	<ol style="list-style-type: none"> <li>1. La pile du bouton d'allumage ne fonctionne plus.</li> <li>2. Les fils du bouton d'allumage ne sont pas branchés.</li> <li>3. L'électrode n'est pas bien alignée sur le brûleur.</li> <li>4. Le bouton d'allumage ne fonctionne pas</li> </ol>	<ol style="list-style-type: none"> <li>1. Remplacer la pile</li> <li>2. Vérifier que les fils de l'électrode du brûleur principal et du brûleur latéral sont connectés.</li> <li>3. Réaligner l'électrode et enlever tout débris de l'espace.</li> <li>4. Voir "Allumer le brûleur avec une allumette".</li> </ol>
Chaleur moins intense, crépitements	<ol style="list-style-type: none"> <li>1. Panne de propane.</li> <li>2. Venturi bloqué.</li> </ol>	<ol style="list-style-type: none"> <li>1. Faire remplir la bonbonne.</li> <li>2. Enlever le brûleur et nettoyer le venturi. Voir "Tubes venturi".</li> </ol>
Sections chaudes sur la surface de cuisson.	<ol style="list-style-type: none"> <li>1. Venturi bloqué</li> <li>2. Débris accumulé sur le Flav-R-Wave</li> </ol>	<ol style="list-style-type: none"> <li>1. Enlever le brûleur et nettoyer le venturi. Voir "Tubes venturi".</li> <li>2. Gratter le Flav-R-Wave et passer l'aspirateur.</li> </ol>
Flambées ou feux de graisse	<ol style="list-style-type: none"> <li>1. Accumulation excessive de graisse sur le vaporisateur ou dans le boîtier du barbecue.</li> <li>2. Chaleur excessive.</li> </ol>	<ol style="list-style-type: none"> <li>1. Bien gratter le Flav-R-Wave et l'intérieur du boîtier et passer l'aspirateur pour enlever les débris.</li> <li>2. Tourner les boutons de contrôle à une température moindre.</li> </ol>
Vrombissement du régulateur	<ol style="list-style-type: none"> <li>1. Le robinet de la bonbonne a été ouvert trop rapidement.</li> </ol>	<ol style="list-style-type: none"> <li>1. Ouvrir le robinet plus lentement.</li> </ol>
Flamme jaune	<ol style="list-style-type: none"> <li>1. Il est normal d'apercevoir un peu de flammes jaunes mais en quantité excessive, il est possible que le venturi soit bloqué.</li> <li>2. Orifices du brûleur bloqués.</li> </ol>	<ol style="list-style-type: none"> <li>1. Enlever le brûleur et nettoyer le venturi. Voir "Tubes venturi".</li> <li>2. Enlever le brûleur et nettoyer avec une brosse à soies souples (ex: brosse à dent).</li> </ol>
L'intérieur du couvercle semble peler	<ol style="list-style-type: none"> <li>1. C'est une accumulation de graisse, l'intérieur du boîtier n'est pas peint, donc ne peut peler.</li> </ol>	<ol style="list-style-type: none"> <li>1. Nettoyer avec une brosse à poils rigides ou un grattoir.</li> </ol>
Rouille sur les grilles de cuisson	<ol style="list-style-type: none"> <li>1. L'émail s'est écaillé.</li> </ol>	<ol style="list-style-type: none"> <li>1. Voir "Entretien".</li> </ol>

Si ce dépannage ne résout pas ces problèmes particuliers ou autres, visitez [www.omcbbq.com](http://www.omcbbq.com) pour plus de renseignements, y compris des capsules de dépannage, conseils et astuces ou appelez le service à la clientèle au 1-800-265-2150

# GARANTIE

La garantie d'OMC entre en vigueur à compter de la date d'achat, et se limite à la réparation ou au remplacement gratuit(e) des pièces qui s'avèrent être défectueuses sous des conditions d'utilisation domestique normales.

Au Canada et aux États-Unis, les pièces de remplacement sont expédiées FOB usine.

Dans tous les autres pays, elles sont expédiées FOB le Distributeur OMC (veuillez consulter votre concessionnaire pour le nom du distributeur OMC). Tous les autres coûts sont la responsabilité du propriétaire.

Cette garantie n'est accordée qu'à l'acheteur original indiqué sur le formulaire d'enregistrement de la garantie, et ne s'applique qu'aux produits vendus au détail et utilisés dans le pays d'achat. (Les différents types d'alimentation en gaz nécessitent de différents régulateurs, valves et orifices).

## CE QUI EST COUVERT PAR LA GARANTIE

Composants en fonte d'aluminium	Hors peinture	10 ans
Brûleur	Brûleurs du chambre à air	3 ans
Grilles de Acier	Revêtues de porcelaine	2 ans
Grilles de Fonte	Revêtues de porcelaine	2 ans
Toutes autres pièces et peinture.	Sauf la bouteille de propane	2 ans

## CE QUI N'EST PAS COUVERT PAR LA GARANTIE

Toutes défaillances ou difficultés au niveau du fonctionnement causées par un accident, l'abus, une mauvaise utilisation, une modification, une mauvaise application, le vandalisme, une mauvaise installation, l'entretien/le service incorrect, ou un manquement à fournir l'entretien régulier, y compris sans limitations les dommages causés par les insectes dans les brûleurs, tel qu'indiqué dans le guide de l'utilisateur.

La détérioration ou les dommages causés par les intempéries telles que la grêle, les ouragans, les tremblements de terre ou les tornades, la décoloration suite à l'exposition directe ou indirecte aux produits chimiques.

Coûts d'expédition ou de transport.

Coûts d'enlèvement ou de réinstallation.

Coûts de main d'œuvre pour l'installation et les réparations.  
Coûts des appels de service.

Responsabilité pour les dommages indirects ou consécutifs.

Les grils à gaz prévus pour l'usage comme aménagement commun ou les grils à gaz non directement utilisés et entretenus par l'acheteur.

## PIÈCES DE REMPLACEMENT

Les "pièces de remplacement OMC véritables" doivent toujours être utilisées en cas de remplacement. L'installation de différentes pièces annulera automatiquement la garantie ci-dessus.

## BRÛLEURS

La durée de vie des brûleurs OMC (fabriqués d'acier inoxydable) dépend Presque totalement d'une utilisation correcte et d'un bon nettoyage et entretien. Cette garantie ne protège pas contre l'utilisation et l'entretien incorrects. Veuillez consulter la page 21 pour des directives d'entretien des brûleurs.

## GRILLES DE CUISSON REVÊTUES DE PORCELAINE

Toutes les grilles de cuisson en fonte d'OMC sont revêtues de porcelaine émaillée pour faciliter le nettoyage et réduire l'adhésion des aliments sur la grille. La porcelaine agit essentiellement d'un revêtement en verre. Une mauvaise manipulation peut causer l'écaillage de cette finition. Ceci n'affectera pas le fonctionnement ni la performance des grilles. La garantie ne protège pas contre l'écaillage ou la rouille des grilles en raison d'une mauvaise manipulation. Veuillez consulter la section "Entretien" à la page 21 pour les directives d'entretien et de nettoyage.

## SYSTÈMES DE VAPORISATION

Les grils à gaz OMC sont conçus pour l'utilisation avec les systèmes de vaporisation Flav-R-Wave™. L'usage de tout autre produit annulera la garantie.

## FLAV-R-WAVE™

Les composants Flav-R-Wave™ sont garantis contre tout défaut de matériel ou la rouille pendant 3 ans sur les modèles Monarch, Signet et Baron, pendant 5 ans sur les modèles Sovereign, Regal et Imperial, et pendant 2 ans sur tous les autres modèles, à compter de la date d'achat. La rouille superficielle n'affectera pas la performance des composants Flav-R-Wave™, et elle n'est pas couverte par la garantie. Veuillez consulter la section "Entretien" pour les directives d'entretien des composants Flav-R-Wave™.

## TRANSPORT

L'expédition est offerte gratuitement pour les commandes de garantie envoyées dans les trois (3) mois suivant la date d'achat. Après cette période, un frais d'expédition s'appliquera à toutes les commandes de garantie.

## ENREGISTREZ VOTRE GRIL

Vos pouvez enregistrer la garantie de votre gril en ligne sur [www.omcbbq.com](http://www.omcbbq.com) ou en composant le 1-800-265-2150.

## WARRANTY CLAIMS

Toutes les réclamations de garantie sont traitées directement par OMC. Les pièces doivent être renvoyées au Service de la garantie d'OMC, les frais d'expédition prépayés, accompagnées du no de modèle et de série, et si votre gril n'est pas enregistré, de la preuve d'achat (copie du reçu de vente ou de la facture). Dans le cas où l'inspection confirme une défaillance, OMC réparera ou remplacera la pièce en question selon les provisions de la garantie.

Sur la réception d'une lettre ou d'une télécopie (non par téléphone) et à sa propre discrétion, OMC peut choisir de ne pas exiger le renvoi des pièces.

## RÉSIDENTS NON AMÉRICAINS/CANADIENS

La garantie ci-dessus est administrée par le distributeur OMC dans votre pays. Veuillez contacter le détaillant pour savoir le nom de votre distributeur OMC.



# Broil King®

## MANUAL DEL USUARIO

PARA USAR CON GAS LP (PETRÓLEO LÍQUIDO)



EN CANADÁ, GAS PROPANO  
ANSI Z21.58-2015 / CSA 1.6-2015

## ÍNDICE

SEGURIDAD.....	26
INSTALACIÓN.....	26
CILINDRO DE GAS LP.....	27
CILINDRO CON OPD.....	28
MANGUERA Y REGULADOR.....	28
PRUEBA DE FUGAS.....	29
TUBOS VENTURI.....	30
ENCENDIDO.....	31
FUNCIONAMIENTO.....	32
TÉCNICAS DE COCCIÓN.....	32
MANTENIMIENTO.....	33
DIAGNÓSTICO DE PROBLEMAS.....	34
GARANTÍA.....	35

### PELIGRO

SI SIENTE OLOR A GAS:

1. CORTE EL SUMINISTRO DE GAS DEL ARTEFACTO
2. APAGUE TODAS LAS LLAMAS EXPUESTAS
3. ABIERTA IID
4. SI EL OLOR PERSISTE, MANTÉNGASE A DISTANCIA DEL ARTEFACTO Y LLAME INMEDIATAMENTE A SU PROVEEDOR DE GAS O A LOS BOMBEROS



### ADVERTENCIA

1. NO ALMACENE NI UTILICE GASOLINA NI OTROS LÍQUIDOS NI VAPORES INFLAMABLES EN LAS PROXIMIDADES DE ESTA PARRILLA.
2. LOS CILINDROS LP QUE NO ESTÉN CONECTADOS A LA PARRILLA NO DEBEN ALMACENARSE CERCA DE ÉSTE NI DE NINGÚN OTRO ARTEFACTO.



### INTRODUZCA AQUÍ SU NÚMERO DE MODELO, NÚMERO DE SERIE Y FECHA DE COMPRA.

Esta información puede encontrarse en la etiqueta de advertencia negra y plateada de OMC que se encuentra en la parte posterior o lateral de su parrilla a gas.

Número de modelo					-			
Número de serie			-					
Fecha de Compra	/		/					
	DD		MM		AAAA			

LEA CUIDADOSAMENTE TODAS LAS INSTRUCCIONES ANTES DE UTILIZAR SU PARRILLA A GAS.  
GUARDE ESTAS INSTRUCCIONES PARA REFERENCIA FUTURA.  
POR INSTRUCCIONES DE ARMADO, CONSULTE SU MANUAL DE ARMADO.

VISITE [www.omcbbq.com](http://www.omcbbq.com) PARA VER NUESTROS VIDEOS DE ARMADO

1-800-265-2150

info@omcbbq.com

*Onward*  
**MANUFACTURING COMPANY**  
SINCE 1906  
585 KUMPF DRIVE LIMITED  
WATERLOO, ONTARIO, CANADA  
N2V 1K3

ES



# SEGURIDAD

Su nueva parrilla a gas OMC es un artefacto seguro y práctico si se arma y se usa correctamente. Sin embargo, como sucede con todo artefacto que funciona con gas, es necesario respetar ciertas medidas de seguridad al utilizarlo. No seguir estas medidas de seguridad podría causar heridas o daños graves. Si tiene alguna pregunta sobre el montaje o utilización de la parrilla, consulte a su distribuidor, a un especialista en artefactos a gas, a la compañía de gas o llame a nuestro servicio de atención al cliente al 1-800-265-2150. [info@omcbbq.com](mailto:info@omcbbq.com)

## CUIDADO

- **SÓLO PARA USO EN EXTERIORES.**
- **SI GUARDA LA PARRILLA EN UN INTERIOR, DESCONECTE Y DEJE EL CILINDRO EN EL EXTERIOR.**
- **ESTE ARTEFACTO NO PUEDE DEJARSE FUNCIONANDO SIN ATENDERLO.**
- **DEBE PONERSE ESPECIAL CUIDADO EN MANTENER A LOS NIÑOS PEQUEÑOS ALEJADOS DE LAS SUPERFICIES CALIENTES.**

Tenga cuidado al manejar o transportar este producto. Los bordes de metal pueden ser peligrosos. Utilice los guantes adecuados para levantar o manipular el artefacto. Antes de levantarlo, retire los estantes, rejillas y parrillas.

## PRECAUCIONES ELÉCTRICAS

1. Si en combinación con este artefacto utiliza cualquier accesorio que necesite una fuente externa de alimentación de corriente, deberá instalar dicho accesorio con una toma eléctrica a tierra, de acuerdo con los códigos locales. Si no hubiese códigos locales, guíese por las siguientes normas:

**(EE.UU.) ANSI/NFPA No. 70- Última edición y (Canada) CSA C22.1 Código eléctrico de Canadá**

2. No corte ni desconecte la toma a tierra del enchufe.
3. Mantenga el cable de alimentación y la manguera del combustible alejados de toda superficie caliente.

## ADVERTENCIA SEGÚN LA LEY 65

Al manipular el bronce que contiene este producto, usted se está exponiendo al plomo, un producto químico que de acuerdo con el Estado de California produce cáncer, defectos de nacimiento y otros daños reproductivos. **LÁVESE LAS MANOS LUEGO DE MANIPULAR ESTE PRODUCTO.**

## ADVERTENCIA

Los combustibles utilizados en los aparatos a gas o fuel-oil, y los productos de la combustión de dichos combustibles, productos químicos contienen conocidos en el Estado de California como causantes de cáncer, defectos de nacimiento u otros daños reproductivos. "Este aviso se emite en virtud de Salud de California Código de Seguridad y la Sección 25249.6"

# INSTALACIÓN

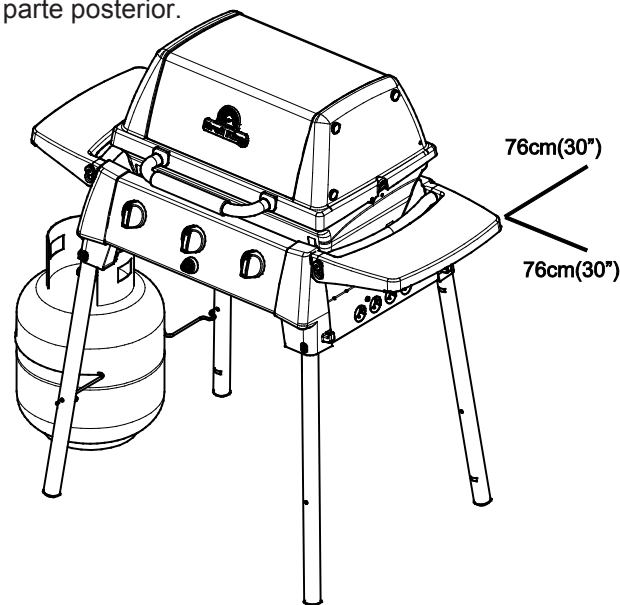
1. En EE.UU., este artefacto debe instalarse de acuerdo con los códigos locales y con los códigos nacionales pertinentes:

**ANSI Z223.1/NFPA 54 - Última edición del Código nacional del gas combustible y los códigos locales más recientes, según corresponda.**

2. En Canadá, este artefacto debe instalarse de acuerdo con los códigos locales y con las normas CSA pertinentes:

**CSA-B149.1 Código de instalación de gas natural y propano**

3. El artefacto debe ubicarse lejos de superficies combustibles, alejado de estas como mínimo 76 cm / 30 pulgadas por cada lado, y 76 cm / 30 pulgadas de la parte posterior.



4. No utilice este artefacto dentro de ninguna construcción techada ni debajo de follaje.
5. Este artefacto es para USO EXCLUSIVO EN EXTERIORES, NO lo utilice en garajes, galpones, balcones ni en ningún otro tipo de área cerrada.
6. **NO limite el flujo de aire que circula alrededor del artefacto.**
7. Mantenga el área que rodea al artefacto libre de materiales combustibles, gasolina, y de cualquier otro líquido o vapor inflamable.
8. Este artefacto no está diseñado para ser instalado en vehículos recreativos ni en embarcaciones.

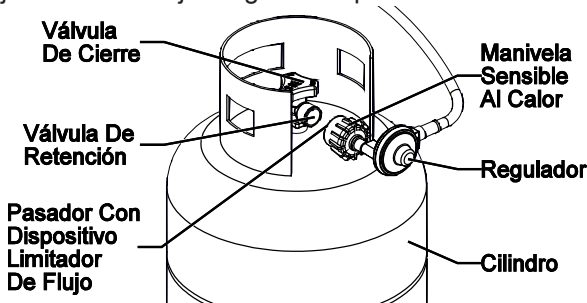
## COLOCACIÓN DEL CILINDRO DE GAS

Las instrucciones que aparecen a continuación son únicamente para modelos LP. Los cilindros de gas LP deben instalarse de acuerdo con las instrucciones de montaje utilizando el retén suministrado. No almacene los cilindros de repuesto debajo ni cerca de este artefacto. Todos los cilindros utilizados deben ser compatibles con los medios de retención suministrados para el cilindro.

# CILINDRO DE GAS LP

## ACOPLAMIENTO DE CIERRE RÁPIDO QCC®-1

1. Todos los modelos OMC están diseñados para utilizarse con cilindros de gas LP equipados con el sistema de Acoplamiento de cierre rápido QCC®-1.
2. El sistema QCC®-1 incorpora las características de seguridad que exige el Instituto Nacional de Normalización de Estados Unidos (ANSI, por sus siglas en inglés) y el Comité Regulador de Normas de Canadá.
  - El gas no circulará hasta que la conexión establecida no sea correcta.
  - Un elemento térmico suspenderá el flujo de gas entre 240° y 300° F.
  - Siempre que esté activado, un Dispositivo limitador de flujo limitará el flujo de gas a 10 pies cúbicos/hora.



3. El cilindro de gas LP no viene incluido con la Parrilla a gas. Asegúrese de comprar uno con la válvula QCC®. Puede reconocer la válvula verificando las roscas externas en el puerto de entrada de la válvula. Puede adquirir los cilindros equipados con QCC® a través de su proveedor de la parrilla a gas.

**NOTA: Cualquier intento de conectar el regulador, utilizando adaptadores o cualquier otro medio, a otra válvula podría causar daños, incendios, o heridas y podría inutilizar las importantes características de seguridad del sistema QCC®-1.**

## ESPECIFICACIÓN

1. Todos los cilindros de gas LP que se utilizan con este artefacto deben estar contruidos e identificados de acuerdo con las Especificaciones para cilindros de gas LP del Departamento de Transportación (DOT, por sus siglas en inglés), o la Norma Nacional de Canadá, CAN/CSA-B339, Cilindros, esferas y tubos para transportación de productos peligrosos; y la Comisión, según corresponda
2. El cilindro de gas LP que se utiliza con este artefacto no debe sobrepasar las 20 libras (9kg) de capacidad.
  - Aproximadamente 18 pulgadas (46 cm) de alto y 12 pulgadas (31 cm) de diámetro.
3. Todos los cilindros de gas LP que se utilizan con este artefacto deben revisarse cada vez que se llenen y deben ser reevaluados en un punto de suministro autorizado una vez cumplida su fecha de vencimiento (10 años), según lo dispuesto por los códigos del DOT (EE.UU.) y por la Comisión Canadiense de Transportación (Canadá) para cilindros de gas LP.
4. Todos los cilindros que se utilicen con este artefacto deben suministrarse con una válvula de cierre terminada en una salida de válvula No. 510, según las especificaciones de las Normas de conexión de entrada y salida para válvulas de cilindros de gas comprimido ANSI/CGA-V-1-1977 (EE.UU.) y CSA B96 (Canadá).

5. El sistema de suministro del cilindro debe estar acondicionado para recuperación de vapor.
6. El cilindro debe incluir un collar para proteger la válvula del cilindro.
7. El cilindro debe instalarse de acuerdo con las instrucciones de montaje.
8. Nunca llene el cilindro más allá del 80% de su capacidad. Podría producirse un incendio que podría provocar muertes o heridas graves.
9. La válvula del cilindro debe incluir un dispositivo de alivio de seguridad directamente conectado al espacio de los vapores del cilindro.

## MANEJO

1. Las reglamentaciones gubernamentales prohíben el envío de cilindros de gas LP llenos. Usted debe llevar su cilindro nuevo a un vendedor de gas LP para llenarlo.
2. Los cilindros de gas LP llenos están bajo una presión muy alta. Manéjelos siempre con cuidado y téngalos en posición vertical. Proteja la válvula contra accidentes que puedan dañarla.
3. No incline el cilindro de gas LP mientras lo conecta al regulador. Asegure firmemente el cilindro para su transportación, utilización y almacenamiento.
4. Si se inclina el cilindro después de conectarlo al regulador, suspenda el suministro de gas, desconecte el regulador y sométalo a revisión antes de volver a utilizarlo.

## ALMACENAMIENTO

1. Almacene el cilindro de gas LP en un exterior en un lugar bien ventilado.
2. No almacene el cilindro de gas LP directamente al sol, ni cerca de una fuente de calor o combustión.
3. Si desea almacenar la parrilla bajo techo, desconecte y retire primero el cilindro de gas LP. Los cilindros desconectados deben estar cubiertos con una tapa que los proteja del polvo y no se deben almacenar en edificios, garajes ni en ninguna otra área cerrada.
4. Manténgalos fuera del alcance de los niños.
5. Cuando el cilindro de gas LP esté conectado a la parrilla, tanto la parrilla como el cilindro de gas deben almacenarse en un exterior en un lugar bien ventilado.

## FUNCIONAMIENTO

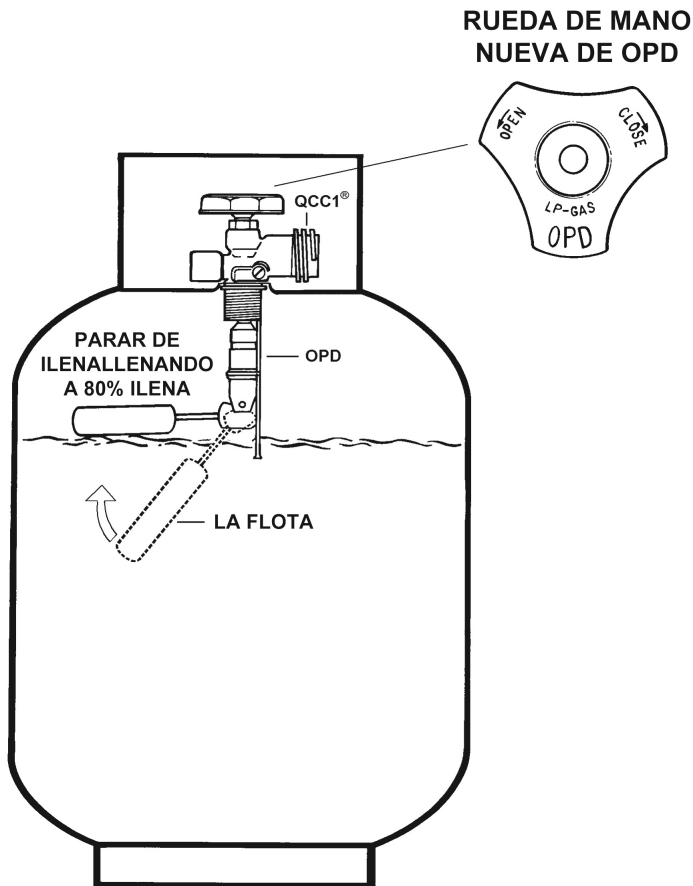
1. Nunca conecte su parrilla a gas a un cilindro de gas LP sin el regulador suministrado con el artefacto, y **NUNCA LA CONECTE A UNA FUENTE DE GAS SIN REGULADOR**. Debe emplearse el regulador suministrado con la parrilla.
2. Siempre compruebe que no haya fugas en la conexión entre el cilindro de gas LP y el regulador cuando conecte el cilindro de gas LP a la parrilla. Ver "Prueba de fugas"
3. No utilice la parrilla si hay olor a gas LP. Apague todas las llamas y determine la fuente de la que proviene el gas LP antes de continuar. No encienda la parrilla hasta que haya detectado y sellado la fuga de gas LP.
4. Siempre cierre la válvula del cilindro de gas LP cuando no esté usando la parrilla.

## DISPOSITIVO DE PREVENCIÓN CONTRA LLENADO EXCESIVO

1. La norma para artefactos a gas para exteriores, ANSI Z21.58/ CAN/CGA-1.6, exige que los artefactos sean usados con cilindros equipados con un Dispositivo de prevención contra llenado excesivo (OPD, por sus siglas en inglés).
2. El OPD está diseñado para reducir el potencial de llenado excesivo de los cilindros de propano, con lo cual se reduce la posibilidad de que la válvula de alivio despidan propano crudo. **El OPD permite purgar/llenar el cilindro más lentamente.** Algunas estaciones de suministro les han informado a los consumidores que estos cilindros están "defectuosos". **No se trata de un defecto.** Puede que algunas estaciones de suministro de propano no estén al tanto de este dispositivo y de su efecto en el proceso de purgado/llenado.
3. Los nuevos OPD que están saliendo al mercado tienen una tecnología que permite salidas de BTU mucho mayores, lo cual reduce el tiempo que demora purgar un cilindro.

## IDENTIFICACIÓN

Para identificar estos cilindros, se ha estandarizado la manivela del OPD con la forma que se muestra.



1. Todos los modelos están equipados con una manguera y un regulador con un Acoplamiento de cierre rápido QCC®-1.
2. El acoplamiento QCC® contiene un Dispositivo limitador de flujo que limitará el flujo de gas si se presentara una fuga entre el regulador y la válvula del artefacto. Este dispositivo se activará si se abre la válvula del cilindro mientras están abiertas las válvulas del artefacto. Asegúrese de que las válvulas del artefacto estén cerradas antes de abrir la válvula del cilindro para evitar que se active por accidente.
3. El acoplamiento QCC® incorpora una manivela sensible al calor que hará que se cierre el módulo trasero de control de la válvula del cilindro QCC® cuando se exponga a temperaturas entre los 240° y 300°F. Cuando ocurra esto, no intente volver a conectar la manivela. Saque el conjunto de la manguera/regulador y reemplácelo por uno nuevo.
4. El regulador de presión está calibrado para 11 pulgadas de columna de agua y únicamente debe utilizarse con gas LP. Los acoples entre manguera y manguera cumplen con la Norma CGA CAN 1.83. No se debe realizar ninguna modificación ni sustitución.
5. Proteja la manguera contra el goteo de grasa y no permita que haga contacto con ninguna superficie caliente, incluyendo la base fundida de la parrilla.
6. Inspeccione el sello de la válvula del cilindro QCC® cuando reemplace el cilindro de gas LP o una vez al año, lo que ocurra con más frecuencia. Reemplace el sello si hay algún indicio de rajaduras, marcas o abrasión.
7. Inspeccione previamente la manguera cada vez que vaya a utilizar la parrilla. Si la manguera está partida, cortada, desgastada o dañada de cualquier otro modo, no debe utilizar la parrilla.
8. Para reparaciones o reemplazos del conjunto manguera/regulador, póngase en contacto con nuestro servicio de atención al cliente en el 1-800-265-2150 o visite el sitio de Internet [info@omcbbq.com](mailto:info@omcbbq.com).

## CONEXIÓN

1. Asegúrese de que la válvula del cilindro y las válvulas del artefacto estén cerradas.
2. Coloque correctamente el cilindro de gas LP lleno en el tanque LP y asegure la base de acuerdo con las instrucciones de montaje.
3. Centre el pasador de la válvula del cilindro y sujételo en su lugar. Con la otra mano, haga girar la manivela en sentido horario hasta que no pueda seguir girándola. No utilice herramientas. Ajustela con la mano únicamente. **Cuando establezca la conexión, sostenga el regulador en paralelo con la válvula del cilindro, para que no se crucen las roscas de la conexión.**
4. Compruebe que no haya fugas en las conexiones. Ver "Prueba de fugas"
5. Consulte las instrucciones de encendido. **Para evitar que se active el Dispositivo limitador de flujo cuando encienda la parrilla, abra lentamente la válvula del cilindro con las válvulas del artefacto cerradas.** Si el Dispositivo limitador de flujo se activa por accidente, cierre la válvula del cilindro y las válvulas del artefacto, espere 10 segundos para permitir que el dispositivo se reajuste, abra lentamente la válvula del cilindro, y luego abra la válvula del artefacto.

## DESCONEXIÓN

Siempre cierre la válvula del cilindro LP y retire la tuerca de acople antes de mover el cilindro de la posición de funcionamiento especificada.

# PRUEBA DE FUGAS

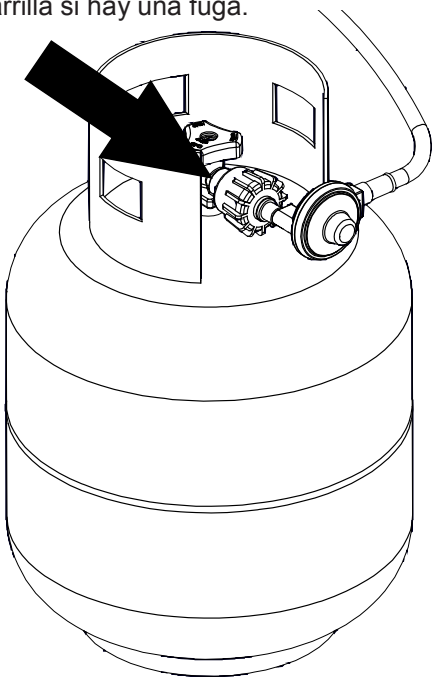
Todas las conexiones de fábrica se prueban rigurosamente para detectar fugas de gas. Sin embargo, durante su transportación y manejo puede aflojarse algún acople.

## COMO PRECAUCIÓN DE SEGURIDAD:

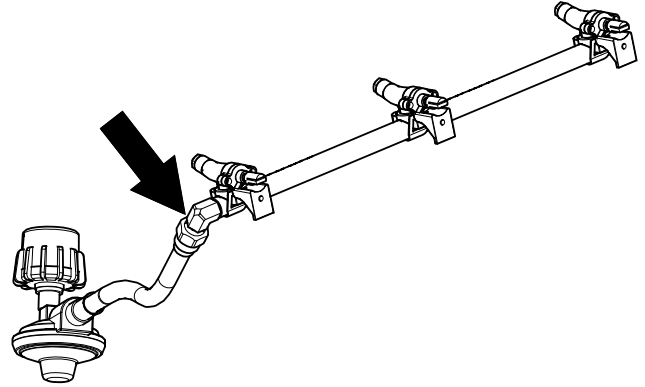
- Compruebe todos los acoples para detectar si hay fugas antes de utilizar su parrilla a gas.
- Compruebe la válvula del cilindro para detectar si hay alguna fuga cada vez que llene el cilindro.
- Compruebe si hay alguna fuga cada vez que conecte un acople de gas.
- No fume en ningún momento mientras realiza la comprobación.
- Nunca compruebe si hay una fuga con un fósforo encendido o una llama expuesta.
- Realice la prueba de fugas en un exterior.

## PARA COMPROBAR SI HAY FUGAS:

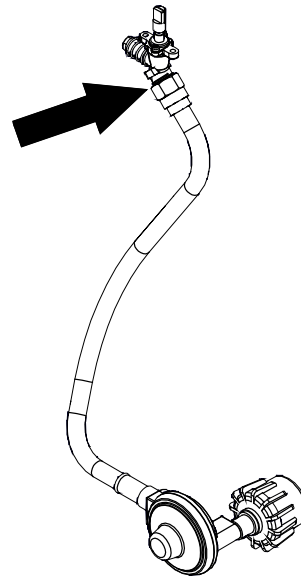
1. Apague cualquier llama expuesta o cigarrillo que haya en el área.
2. Asegúrese de que la válvula del cilindro y las válvulas de la parrilla a gas estén cerradas
3. Conecte el cilindro de gas LP. Ver "Manguera y regulador"
4. Prepare una solución jabonosa con una parte de agua y otra parte de detergente líquido.
5. Con un cilindro de gas lleno, abra lentamente el cilindro.
6. Unte cada conexión con la solución de agua jabonosa.
7. Las fugas pueden identificarse mediante la formación de burbujas en el área de la fuga.
8. Si se detecta una fuga, cierre la válvula de cierre del cilindro de gas, ajuste la conexión y vuelva a realizar la comprobación.
9. Si la fuga continúa, contacte a su proveedor de la parrilla de gas para obtener ayuda. No intente utilizar la parrilla si hay una fuga.



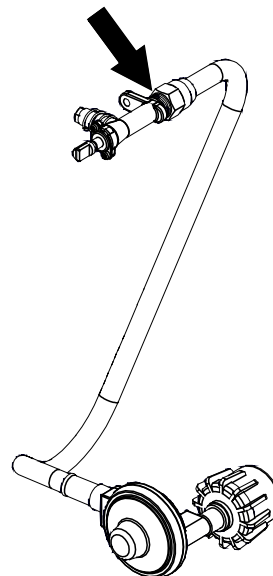
## PORTA-CHEF 320



## PORTA-CHEF 120



## PORTA-CHEF 100





# TUBOS VENTURI

## PORTA-CHEF 100 / 120

Siempre mantenga limpios los tubos Venturi. Las obstrucciones en los tubos Venturi provocadas por arañas, insectos y nidos pueden desencadenar retornos de llamas. De hecho, aunque la parrilla a gas pueda encender todavía, el gas retenido puede encenderse y desatar llamas alrededor de los tubos Venturi en el panel de control o en el quemador lateral.



Si se produce un retorno de llamas, corte el suministro de la fuente de gas inmediatamente

Revise y limpie los tubos Venturi si se presenta cualquiera de las siguientes señales:

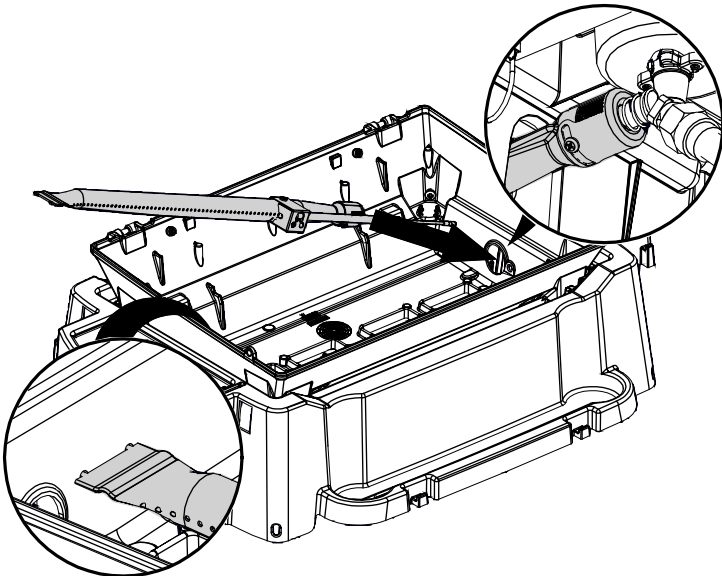
1. Siente olor a gas.
2. Su parrilla a gas no gana temperatura.
3. Su parrilla se calienta de manera irregular.
4. Los quemadores emiten chasquidos.

## INSPECCIÓN Y LIMPIEZA

1. Corte el suministro de gas cerrando la válvula del cilindro de propano
2. Cuando la barbacoa es fresco, empujar el quemador hacia la válvula y levante el quemador de la vivienda barbacoa.
3. Limpie los tubos Venturi con un limpiador de tubos o con una herramienta de limpieza Venturi (Accesorio #77310 or #18270).

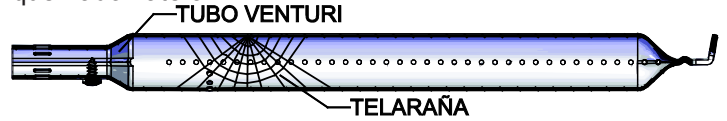


4. Bajar el quemador en posición en la carcasa parrilla de gas, asegurándose de que el tubo de Venturi está alineado y montado en el orificio correctamente. Empuje hacia la válvula y colocar en su lugar.



## PORTA-CHEF 320

Siempre mantenga limpios los tubos Venturi. Las obstrucciones en los tubos Venturi provocadas por arañas, insectos y nidos pueden desencadenar retornos de llamas. De hecho, aunque la parrilla a gas pueda encender todavía, el gas retenido puede encenderse y desatar llamas alrededor de los tubos Venturi en el panel de control o en el quemador lateral.



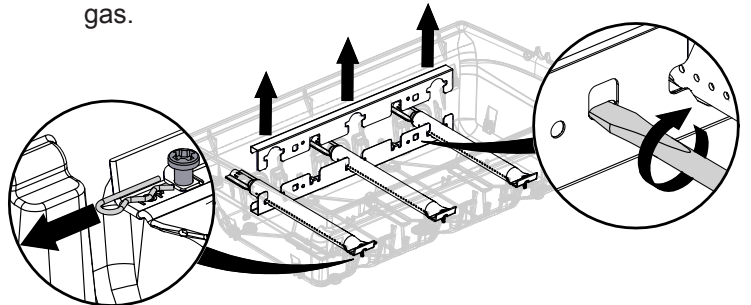
Si se produce un retorno de llamas, corte el suministro de la fuente de gas inmediatamente

Revise y limpie los tubos Venturi si se presenta cualquiera de las siguientes señales:

1. Siente olor a gas.
2. Su parrilla a gas no gana temperatura.
3. Su parrilla se calienta de manera irregular.
4. Los quemadores emiten chasquidos.

## INSPECCIÓN Y LIMPIEZA

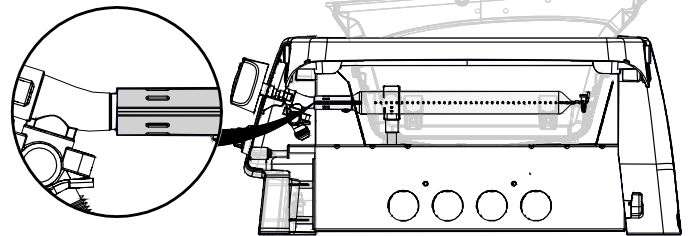
1. Corte el suministro de gas cerrando la válvula del cilindro de propano
2. Cuando se enfríe la parrilla, saque los sujetadores del quemador y la parte superior de la caja recolectora. Saque los quemadores de la armazón de la parrilla a gas.



3. Limpie los tubos Venturi con un limpiador de tubos o con una herramienta de limpieza Venturi (Accesorio #77310 or #18270).



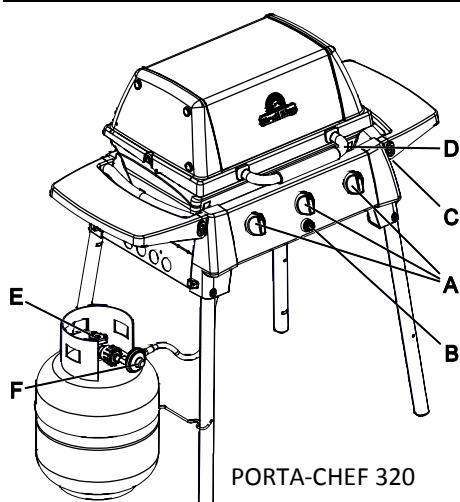
4. Vuelva a bajar el quemador hasta su ubicación en la caja de la parrilla a gas, asegurándose de que los tubos Venturi estén correctamente alineados y acoplados en los orificios.



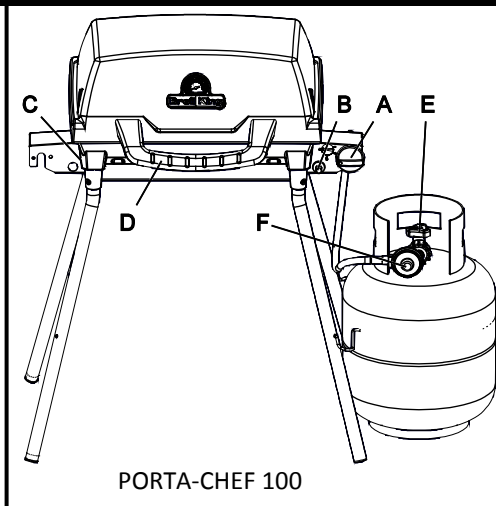
5. Asegure los quemadores con sus sujetadores correspondientes.
6. Vuelva a colocar en su lugar la cubierta de la caja recolectora.



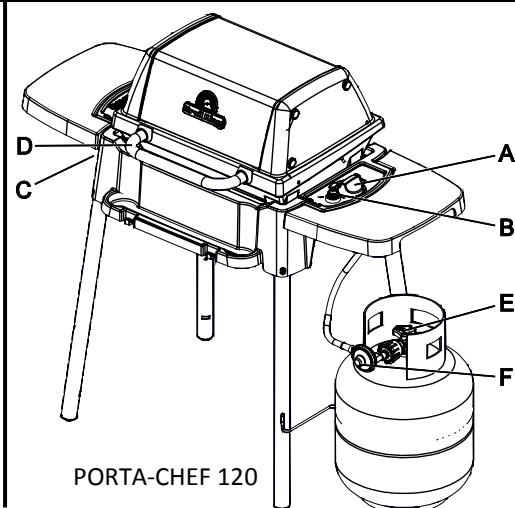
# ENCENDIDO



PORTA-CHEF 320



PORTA-CHEF 100



PORTA-CHEF 120

- A. CONTROLE DEL QUEMADOR  
 B. ENCENDEDOR  
 C. ORIFICIO PARA ENCENDIDO MANUAL  
 D. ASA  
 E. VÁLVULA DEL CILINDRO  
 F. REGULADOR

## INSTRUCCIONES DE ENCENDIDO

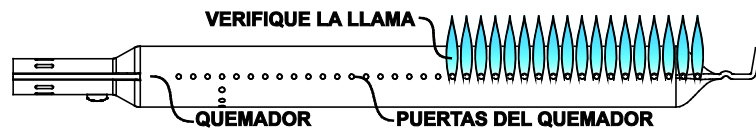
- El artefacto debe armarse de acuerdo con las instrucciones de montaje.
- Asegúrese de que el cilindro LP esté lleno y correctamente conectado al regulador. Ver: "Manguera y regulador"
- Asegúrese de que no haya fugas de gas en el sistema de suministro de gas. Ver: "Prueba de fugas"
- Asegúrese de que los tubos Venturi estén correctamente colocados sobre los orificios de la válvula de gas. Ver: "Tubos Venturi".
- Asegúrese de que los cables de encendido estén conectados.
- Revise cuidadosamente todas las instrucciones que aparecen en la placa de información que viene fijada a la parrilla a gas.
- ADVERTENCIA: Abra siempre la cubierta antes de encender la parrilla y no se incline sobre esta mientras la enciende.**
- Lleve las perillas de control hasta "APAGADO" y abra el suministro de gas.

## ENCENDIDO DEL QUEMADOR:

- Levante la cubierta de la parrilla y déjela abierta hasta que encienda la parilla.
- Compruebe que se ha instalado la batería en el encendedor electrónico.
- Presione y haga girar una perilla de control hacia "ALTA".
- Mantenga presionado el botón del encendedor o utilice un fósforo.
- El quemador debe encenderse en unos 5 segundos; si no se enciende en ese período de tiempo, cierre el suministro de la fuente de gas inmediatamente. Para encender el quemador con un fósforo avance hasta el paso f.
- Inserte un fósforo encendido a través del agujero de encendido situado en la parte inferior lado derecha o izquierdo la caja cocción.

- Presione y haga girar a la derecha la perilla de control del quemador principal hacia "ALTA".
- El quemador debe encenderse en unos 5 segundos.
- Cuando se haya encendido el primer quemador, presione y haga girar la perilla adyacente de control del quemador principal hasta "ALTA" y luego vuelva a repetir a operación con los otros quemadores; estos quemadores deben encenderse.

**CUIDADO - Revise su parrilla a gas antes de encenderla.** Todos los puertos de los quemadores deben mostrar una llama de 2,5 cm / 1 pulgada en "ALTA"



Si se presenta cualquiera de los siguientes síntomas, significa que probablemente hay un atasco en los tubos Venturi. Cierre inmediatamente el suministro de gas y limpie los tubos Venturi. Ver "Tubos Venturi"

- Siente olor a gas.
- Se produce un retorno de llamas.
- Su parrilla se calienta de manera irregular.
- Los quemadores emiten chasquidos.

## SI EL QUEMADOR NO SE ENCIENDE:

- Presione y haga girar la perilla de control hacia "APAGADO". Espere 5 minutos y vuelva a intentarlo con la perilla de control en "MEDIA"
- Si no se enciende ningún quemador, vea el "Diagnóstico de problemas" en la página 11. Si el problema persiste, no intente utilizar el artefacto; póngase en contacto con OMC, con su proveedor o con un centro de servicios autorizado.

## APAGADO:

- Cierre la válvula del cilindro.
- Gire las perillas de control hacia "APAGADO".

**Uso por primera vez:** Antes de cocinar por primera vez en su parrilla a gas, enciéndala para deshacerse de cualquier olor o materia extraña de la siguiente forma:

1. Con las rejillas de cocción colocadas en su lugar, encienda la parrilla a gas siguiendo las instrucciones de encendido (ver página 6) y déjela funcionar en “**ALTA**” entre **10 y 15 minutos**. A continuación, cierre el suministro de la fuente de gas y haga girar todas las perillas de control a la posición de “**APAGADO**”.
2. Cuando la parrilla se haya enfriado, acondicione bien las rejillas de cocción rociándolas o untándolas con aceite de oliva o aceite vegetal. Asegúrese de que toda la superficie esté abundantemente cubierta incluyendo las esquinas. En el caso de las rejillas de cocción de hierro fundido, el acondicionamiento debe realizarse cada vez que vaya a usar la parrilla.
3. Ya está todo listo para asar. Proceda a realizar el “Pre calentamiento”.

**Pre calentamiento:** Precaliente la parrilla a gas en MEDIA/ALTA con la cubierta cerrada durante diez minutos. Reduzca la temperatura hasta un punto adecuado para lo que vaya a asar. Raspe firmemente pero con cuidado las rejillas con un cepillo de alambre para rejillas. A continuación, unte o rocíe las rejillas con aceite vegetal o con aceite de oliva para evitar que los alimentos se peguen.

**Posición de la cubierta:** La posición de la cubierta durante la cocción es una cuestión de preferencia personal, pero la parrilla a gas cocina más rápido, consume menos gas y controla mejor la temperatura cuando la cubierta está cerrada. Mantener la cubierta cerrada también le infunde a la carne asada directamente sobre la rejilla un sabor más ahumado, y es esencial para asados ahumados o por convección.

**Sistemas de vaporización:** Su parrilla a gas está diseñada para utilizarse con el sistema de vaporización Flav-R-Wave™ suministrado con la misma. No utilice rocas de lava, briquetas cerámicas ni ningún otro sistema de vaporización que no sea el que se suministró con la parrilla a gas.

## COOKING TEMPERATURES

**Temperatura Alta:** Produce temperaturas en la rejilla de cocción de aproximadamente 600 - 650°F (320 - 340° C). Utilice esta temperatura únicamente para calentamiento rápido o para quemar los residuos de alimentos de las rejillas de cocción cuando haya terminado de cocinar. Esta temperatura también es ideal para dorar los filetes antes de reducir la temperatura. En raras ocasiones, por no decir que nunca, se utiliza la temperatura ALTA para cocciones prolongadas

**Media/Alta:** Produce temperaturas en la rejilla de cocción de aproximadamente 550°F (290°C). Utilice esta temperatura para calentar y para asar filetes y chuletas.

**Media:** Produce temperaturas en el interior de la parrilla a gas de aproximadamente 450° F (230°C) con la cubierta cerrada. Utilice esta temperatura para la mayoría de sus asados a la parrilla de pollo, hamburguesas y verduras, y también para asar y hornear

**Baja:** Produce temperaturas dentro de la parrilla a gas de aproximadamente 310-350°F (155-175°C). Utilice esta temperatura para todos los ahumados, para grandes trozos de carne, pescados delicados y para masas y pastelillos, como por ejemplo para quesadillas.

**Estas temperaturas son solo aproximadas y varían de acuerdo con la temperatura externa y con la cantidad de viento.**

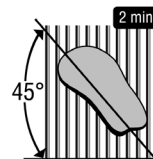
## ASADO DIRECTO

El método de asado directo consiste en cocinar la comida en las rejillas directamente sobre un quemador encendido. El asado directo es el método más popular para cocinar alimentos de una sola pieza, como filetes, chuletas, pescado, hamburguesas, brochetas y verduras.

1. Prepare los alimentos de antemano para evitar demoras y problemas de tiempo. Si utiliza adobo o especias, debe añadirlos a la carne antes de colocarla en la rejilla de cocción. Si va a adobar con salsas, añádalas en los últimos 2-4 minutos del asado para evitar que se quemem.
2. Organice el área alrededor de la parrilla a gas de manera tal que tenga a mano pinches, pinzas, guantes para horno, salsas y condimentos, a fin de poder permanecer junto a la parrilla mientras está cocinando.
3. Antes de comenzar a asar, deje que la carne tome la temperatura ambiente. Elimine el exceso de grasa de la carne para minimizar las llamaradas que se producen cuando esta comienza a gotear.
4. Precaliente la parrilla a gas hasta la temperatura deseada con la cubierta cerrada.
5. Cubra las rejillas con aceite vegetal o de oliva para evitar que los alimentos se peguen a las rejillas.
6. Evite añadir sal cuando cocine carnes en la parrilla a gas. La carne se mantendrá más jugosa si añade la sal después de cocinada.
7. Para evitar que los filetes “se resequen”, utilice pinzas en lugar de un tenedor y comience en temperatura “MEDIA/ALTA” para dorar la carne y sellar los jugos dentro de esta. Reduzca la temperatura y extienda el tiempo de cocción cuando ase trozos de carne más gruesos.
8. Aprenda a probar cuándo la carne está lista por el tiempo transcurrido y por su consistencia. La carne se vuelve más firme a medida que se cocina. Cuando la carne está blanda, está cruda. Cuando está firme, está bien cocida.
9. Siga la guía para el asado perfecto de filetes con la mayoría de las carnes, pescados, aves y verduras.

## GUÍA PARA ASAR EL FILETE PERFECTO

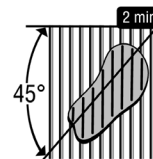
COLOQUE EL FILETE EN ANGULO SOBRE LA PARRILLA CALIENTE.



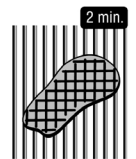
DELO VUELTA COMO SE INDICA A CONTINUACIÓN.



VUELVA A DAR VUELTA Y A ROTAR EL FILETE.



VUELVA A DAR VUELTA EL FILETE UNA VEZ MÁS.



Espesor de la carne		Ajuste de Calor	Tiempo por cada lado				Tiempo total
1 1/2"	1"		A	B	C	D	
Poco hecho	Jugoso	Medio/Alto	2	2	2	2	8 minutos
Jugoso	Medium	Medio/Alto	2 1/4	2 1/4	2 1/4	2 1/4	9 minutos
Mediano	Bien hecho	Mediano	2 1/2	2 1/2	2 1/2	2 1/2	10 minutos
Bien hecho		Mediano	3	3	3	3	12 minutos

# MANTENIMIENTO

## MANTENIMIENTO REGULAR

Los siguientes componentes deben inspeccionarse y limpiarse (según sea necesario) antes de utilizar su parrilla a gas para garantizar un rendimiento, seguridad y eficiencia óptimos.

### REJILLAS DE COCCIÓN

Retire todos los alimentos de las rejillas, gire las perillas de control a "alto", y operar la barbacoa con la tapa cerrada durante 5 a 10 minutos o hasta que deje de fumar. Girar la válvula del cilindro de gas en OFF, a continuación, las perillas de control a OFF.

Use un cepillo de mango largo para limpiar las rejillas. Recuerde que la parrilla está caliente, así que use guantes de cocina o utilizar una olla titular de manejar el pincel.

Usted no tiene que lavarse las rejillas y estante superior de cocción después de cada comida al aire libre, pero si desea hacerlo, utiliza un jabón suave y agua, luego enjuague a fondo. Nunca use un limpiador de hornos comercial.

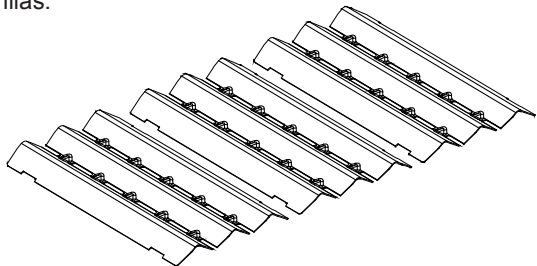
### REJILLAS DE COCCIÓN DE HIERRO FUNDIDO

Las rejillas de hierro fundido deben acondicionarse antes de cada uso untándolas o rociándolas con aceite vegetal o de oliva.

Asegúrese de que toda la superficie de las rejillas esté cubierta por una capa fina de aceite. Esto ayuda a evitar la corrosión y el deterioro. Si llegan a oxidarse las rejillas, raspe el óxido suavemente con una esponja de limpiar y recúbrelas bien. Durante períodos más extensos de inactividad, las rejillas deben recubrirse, secarse y luego almacenarse en un lugar seco. Antes de utilizar las rejillas por primera vez y después de períodos de almacenamiento, deben lavarse (ver "Rejillas de cocción" a la derecha), secarse con toallas de papel y luego recubrirse bien con mantequilla vegetal o aceite de oliva/vegetal.

### FLAV-R-WAVE™

Si se acumulan residuos en el Flav-R-Wave™, saque las rejillas de cocción y raspe los residuos del Flav-R-Wave™ con un cepillo para parrillas.



### BANDEJA COLECTORA DE GRASA

La bandeja colectora de grasa se encuentra situada directamente debajo del agujero de drenaje que está en el fondo de la parrilla a gas. Se puede acceder a ella desde el lateral o desde la parte posterior del artefacto y deberá limpiarse y cambiarse regularmente para evitar que la grasa se desborde hacia su patio.

### LIMPIEZA GENERAL

Realice una Quema de residuos (ver a continuación). Cuando la parrilla a gas se enfríe, saque las rejillas, raspe el Flav-R-Wave para limpiarlo y luego sáquelo. Limpie el interior de la parrilla a gas según sea necesario raspando los laterales y el fondo de la caja de cocción y aspirándola.

### QUEMA DE RESIDUOS

Encienda los quemadores según se indica en la sección "Encendido". Deje encendida la parrilla a gas en temperatura ALTA con la cubierta cerrada durante 10 minutos, o hasta que deje de salir humo. Cierre el suministro de la fuente de gas y haga girar las perillas de control a la posición de "APAGADO".

## MANTENIMIENTO ANUAL

Los siguientes componentes deben inspeccionarse y limpiarse al menos una vez al año o después de períodos de almacenamiento de más de 30 días para garantizar un rendimiento, seguridad y eficiencia óptimos.

### QUEMADOR

Saque el quemador e inspeccione si presenta rajaduras o deterioro. Limpie los tubos Venturi utilizando un limpiador de tubos o un cepillo Venturi para eliminar cualquier obstrucción. Ver "Tubos Venturi" (página 5 para modelos LP; página 4 para modelos NG). Cuando saque el quemador, limpie el interior de la caja de cocción raspando los laterales y el fondo y aspirándola.

### MANGUERA

Inspecciónela y reemplácela si es necesario. Para modelos que funcionan con gas natural, vea "Manguera de suministro de gas" y para modelos que funcionan con propano vea "Manguera y regulador"

### ACABADO EXTERNO

Si aparecen puntos blancos de óxido, lave la caja de cocción por fuera con una solución de agua y jabón. Enjuague bien las superficies y luego límpielas utilizando un paño humedecido en aceite de cocina para devolverles el brillo. Para reparar rayones de la pintura, utilice un aerosol de pintura de ALTA temperatura (600°F) de buena calidad para retocarla. La oxidación es un proceso natural y puede presentarse en partes de hierro fundido y acero. El óxido no afectará el rendimiento a corto plazo de su parrilla.

### ACERO INOXIDABLE

Lávelo con agua y jabón. Utilice un limpiador de acero inoxidable para pulir y eliminar las manchas o marcas. El desgaste y el calor extremo pueden hacer que la cubierta de acero inoxidable tome un color bronceado. Se trata de una decoloración y no se considera un defecto de fabricación.

### COMPONENTES DE RESINA Y ESTANTES LATERALES

Lávelos con agua y jabón.

### PARTES DE REPUESTO

Si detecta un problema en el regulador, manguera, quemador o válvulas de control, no intente repararlo. Vea a su proveedor, centro de servicios autorizado, o póngase en contacto con la fábrica para reparaciones o reemplazo de partes. Para asegurar un rendimiento óptimo, utilice únicamente partes de repuesto originales de OMC.

### PRUEBA DE FUGAS

Quando conecte un cilindro de gas a modelos que funcionan con gas propano, asegúrese de comprobar si hay fugas. Ver "Prueba de fugas"

### REJILLAS DE COCCIÓN

Para lavar rejillas de acero inoxidable o de hierro fundido, utilice un detergente suave y agua, y luego enjuague y seque con una toalla de papel; nunca seque las rejillas con aire caliente ni utilice un lavavajillas. En el caso de las rejillas de hierro fundido, acondiciónelas bien (ver a la izquierda: "Rejillas de cocción de hierro fundido") después de lavarlas.

# DIAGNÓSTICO DE PROBLEMAS

PROBLEMA	CAUSA POSIBLE	ACCIÓN CORRECTIVA
<b>OLOR A GAS</b>	<b>CIERRE DE INMEDIATO LA VÁLVULA DEL CILINDRO LP. NO UTILICE EL ARTEFACTO HASTA QUE NO SE HAYA SELLADO LA FUGA.</b>	
Fuga detectada en el cilindro, en el regulador o en otra conexión.	1. Acople del regulador suelto. 2. Fuga de gas en la manguera/regulador o en las válvulas de control.	1. Apriete el acople y realice una "Prueba de fugas" (página 5) 2. Diríjase a un centro de servicios autorizado.
Llamas debajo del panel de control (retorno de llamas)	1. Tubo Venturi obstruido.	1. Saque el quemador y limpie el tubo Venturi. Ver "Tubos Venturi"
Llama parpadeante en el quemador o Temperaturas bajas con el control en ALTA	1. El dispositivo de seguridad contra flujo excesivo se ha activado en la conexión entre el cilindro y la parrilla.	1. Cierre la válvula del cilindro LP y luego lleve todos los quemadores a la posición de APAGADO. Desconecte el regulador del cilindro. Espere dos minutos. Vuelva a conectar el regulador al cilindro. Abra lentamente la válvula del cilindro. Espere un minuto. Encienda la parrilla según se indica en "Encendido".
El quemador no enciende	1. Se terminó el gas LP. 2. Problema del encendedor. 3. Se ha activado el dispositivo de seguridad contra flujo excesivo. 4. El regulador no está completamente conectado a la válvula del cilindro. 5. Una fuga en el sistema hace que el dispositivo contra el exceso de flujo se active. 6. Tubo Venturi obstruido o desalineado con respecto al orificio de la válvula. 7. Orificio(s) bloqueado(s). 8. La manguera está doblada.	1. Vuelva a llenar el cilindro de gas LP. 2. Intente encender el quemador manualmente con un fósforo. Ver "Encendido". Si el quemador se enciende correctamente, se trata de un problema del encendedor. Ver "El encendedor no funciona" a continuación 3. Siga la solución que aparece más arriba en "Llama parpadeante o Temperaturas bajas con control en ALTA". 4. Ajuste la manivela del regulador. 5. Compruebe si hay fugas en las conexiones para determinar si hay un acople suelto. Apriete el acople. Compruebe que no haya fugas en el sistema. 6. Saque el quemador, limpie el tubo Venturi y vuelva a alinearlos con el orificio de la válvula. 7. Saque el quemador, limpie los orificios con un alfiler o con un alambre. No perforo orificios. 8. Enderece la manguera. Manténgala alejada del fondo de la parrilla.
El encendedor no funciona	1. Se agotó la batería del encendedor 2. Cable(s) del encendedor desconectado(s) 3. Electrodo desalineado en el quemador 4. Defectuoso del encendedor	1. Reemplace la batería 2. Asegúrese de que los cables del quemador principal y del quemador lateral estén todos conectados 3. Vuelva a alinear el electrodo y limpie los restos circundantes del área 4. Utilice el procedimiento de "Encendido con fósforo"
Disminución del calor, "Chasquido"	1. Se terminó el gas LP. 2. Tubo Venturi obstruido.	1. Vuelva a llenar el cilindro de gas LP. 2. Saque el quemador, limpie el tubo Venturi. Ver "Tubos Venturi" para obtener ayuda.
Puntos calientes en la superficie de cocción	1. Tubo Venturi obstruido. 2. Acumulación de residuos en Flav-R-Wave	1. Saque el quemador, limpie el tubo Venturi. Ver "Tubos Venturi" para obtener ayuda. 2. Raspar y aspirar el Flav-R-Wave
"Llamaradas" o grasa incendiada	1. Acumulación excesiva de grasa en el vaporizador o en la caja de cocción de la parrilla a gas. 2. Calor excesivo.	1. Raspe bien el Flav-R-Wave y el interior de la caja de cocción y luego aspire los restos. 2. Lleve los controles del quemador a un ajuste inferior.
Zumbido del regulador	1. Se abrió demasiado rápido la válvula del cilindro.	1. Abra lentamente la válvula del cilindro.
Llama amarilla	1. Es normal que la llama sea un poco amarilla. Si se torna demasiado amarilla, puede que el tubo Venturi esté obstruido.	1. Saque el quemador, limpie el tubo Venturi. Ver "Tubos Venturi" para obtener ayuda.
	2. Puertos del quemador bloqueados.	2. Saque el quemador y límpielo con un cepillo de cerdas suaves (por ejemplo, un cepillo de dientes).
El interior de la cubierta parece estar descascarándose	1. Se trata de una acumulación de grasa. El interior de la cubierta no está pintado y no puede descascararse.	1. Límpielo con un cepillo de cerdas duras o con una espátula.
Rejillas de cocción oxidadas	1. Se ha dañado el esmalte de porcelana	1. Vea "Mantenimiento" para obtener ayuda
Si no consigue resolver estas u otras dificultades con el diagnóstico de problemas, visite el sitio de Internet <a href="http://www.omcbbq.com">www.omcbbq.com</a> para obtener más información incluyendo videos de diagnóstico de problemas, trucos y consejos, o llame a nuestro servicio de atención al cliente: 1-800-265-2150		



# GARANTÍA

La Garantía OMC es válida a partir de la fecha de compra y está limitada a reparaciones o reemplazos de partes sin costo alguno de componentes defectuosos en condiciones normales de uso doméstico.

En Canadá y Estados Unidos, el reemplazo se realiza FOB en la fábrica. En todos los demás países, el reemplazo lo realiza franco a bordo por parte del Distribuidor de OMC (consulte a su proveedor para conocer el nombre del Distribuidor OMC). Todos los demás costos son responsabilidad del dueño.

Esta garantía se le otorga únicamente al comprador original como se indica en el registro de garantía y es válida únicamente para productos de venta al por menor y solo cuando tales productos son utilizados exclusivamente por el comprador en el país donde los compró. (Los diferentes tipos de gas utilizados en distintos países requieren válvulas, orificios y reguladores adecuados).

## LO QUE CUBRE

Componentes de aluminio fundido	Exceptuando pintura	10 años
Quemadores	Tube Burners	3 años
Las rejillas de acero	Porcelana revestido	2 años
Las rejillas de hierro fundido	Porcelana revestido	2 años
Todas las demás partes	Exceptuando el tanque	2 años

## LO QUE NO ESTÁ CUBIERTO

Cualquier falla o problema de funcionamiento debido a un accidente, uso indebido o incorrecto, alteración, uso para otros fines, vandalismo, instalación incorrecta o mantenimiento o reparación inadecuados, o el incumplimiento del mantenimiento de rutina, incluyendo, pero sin limitarse a, daños causados por insectos dentro de los tubos del quemador, como se especifica en el manual del propietario.

Deterioro o daños debidos a condiciones meteorológicas severas, como granizo, huracanes, terremotos o tornados, decoloración debido a exposición a productos químicos ya sea directamente o en el ambiente.

Costos de envío o transportación.

Costos de devolución o reinstalación.

Costo de mano de obra por reinstalación o reparaciones.

Costo de llamadas de servicios técnicos.

Responsabilidad por daños indirectos o consiguientes.

Parrillas a gas que se considere que son de uso colectivo o parrillas a gas que no son utilizadas ni reciben mantenimiento directamente del comprador.

## PARTES DE REPUESTO

Para los reemplazos, siempre debe utilizar "Partes auténticas para Parrillas a gas OMC". El uso de cualquier otra parte anulará automáticamente la garantía descrita anteriormente.

## QUEMADORES

La vida de los quemadores OMC (hechos de acero inoxidable) depende casi completamente de su uso, limpieza y mantenimiento adecuados. Esta garantía no cubre fallas causadas por uso y mantenimiento inadecuados. Para consultar las instrucciones de mantenimiento adecuado, vea la página 33.

## REJILLAS RECUBIERTAS DE PORCELANA

Todas las rejillas de hierro fundido para cocinar de OMC están cubiertas con un esmalte de porcelana para facilitar el proceso de limpieza y reducir la tendencia de los alimentos a pegarse a las rejillas. La porcelana es en esencia una cubierta de vidrio. Si las rejillas se manejan incorrectamente, el recubrimiento puede dañarse. Esto no afectará el uso ni el rendimiento de las rejillas. Las rejillas no están aseguradas contra daños ni oxidación derivados de su mal manejo. Consulte la sección "Mantenimiento" (página 33) para ver las instrucciones de cuidado y limpieza de la rejilla de cocción.

## SISTEMAS DE VAPORIZACIÓN

Las parrillas a gas OMC están diseñadas para utilizarse con sistemas de vaporización Flav-R-Wave™. El uso de cualquier otro producto anulará automáticamente la garantía.

## FLAV-R-WAVE™

El Flav-R-Wave™ está asegurado contra defectos materiales y oxidación durante un período de 3 años en Monarch, Signet, Baron, 5 años en Sovereign, Regal e Imperial y 2 años en todos los demás modelos, a partir de la fecha de compra. El óxido de la superficie no afectará el rendimiento del Flav-R-Wave™ y no está cubierto por la garantía. Vea la sección "Mantenimiento" (página 33) para consultar las instrucciones de cuidado adecuadas del Flav-R-Wave™.

## ENVÍO

Durante los tres (3) primeros meses después de la fecha original de compra, se realizan envíos de cortesía para los encargos de garantía. Después de dicho período, se cobrará el precio del envío en todos los encargos de garantía.

## REGISTRE SU PARRILLA

Puede registrar la garantía de su parrilla utilizando el sitio de Internet [www.omcbbq.com](http://www.omcbbq.com) o llamando al 1-800-265-2150.

## WARRANTY CLAIMS

Toda la garantía se realiza directamente por OMC. Las piezas deben ser devueltas al Departamento de Garantía de OMC, los gastos de envío prepagados, acompañados por número de modelo, número de serie, y si su parrilla no se ha registrado, el comprobante de compra (copia del ticket de compra o factura). Si la inspección confirma el defecto, OMC se compromete a reparar o reemplazar tales partes de conformidad con los términos de la garantía. Al recibir la carta o fax (no por teléfono) puede que OMC, según decida, no requiera la devolución de la(s) parte(s).

## RESIDENTES FUERA DE EE.UU./CANADÁ

La garantía anterior es gestionada por el distribuidor de OMC en su país. Contacte a su proveedor para conocer el nombre de su distribuidor OMC.



