

Broil King®

ASSEMBLY MANUAL & PARTS LIST - MANUEL DE MONTAGE & LISTE DE PIÈCES - MANUAL DE ARMADO Y LISTA DE PARTES



Broil King
PORTA-CHEF 320
9526-54

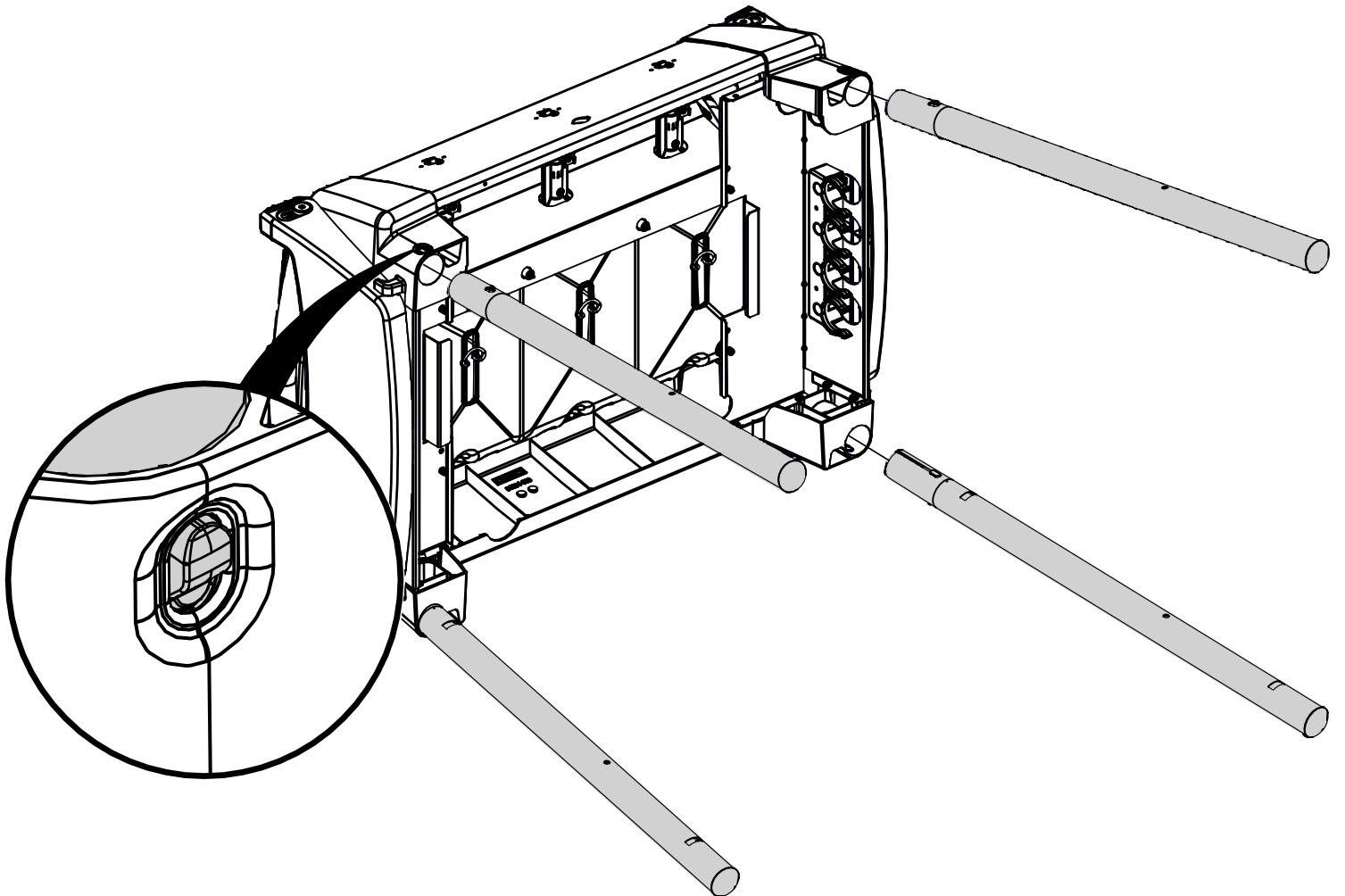
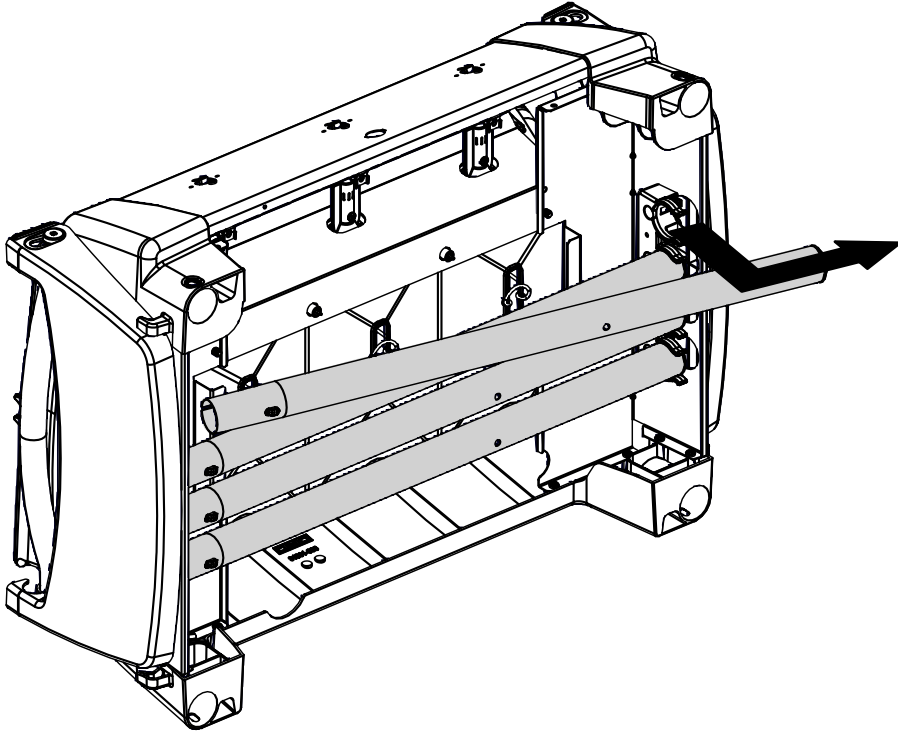
RETAIN FOR FUTURE REFERENCE - VEUILLEZ CONSERVER POUR REFERENCE ULTERIEURE - CONSERVAR PARA FUTURAS CONSULTAS

Onward
SINCE 1906
MANUFACTURING COMPANY
585 KUMPF DRIVE LIMITED
WATERLOO, ONTARIO, CANADA
N2V 1K3

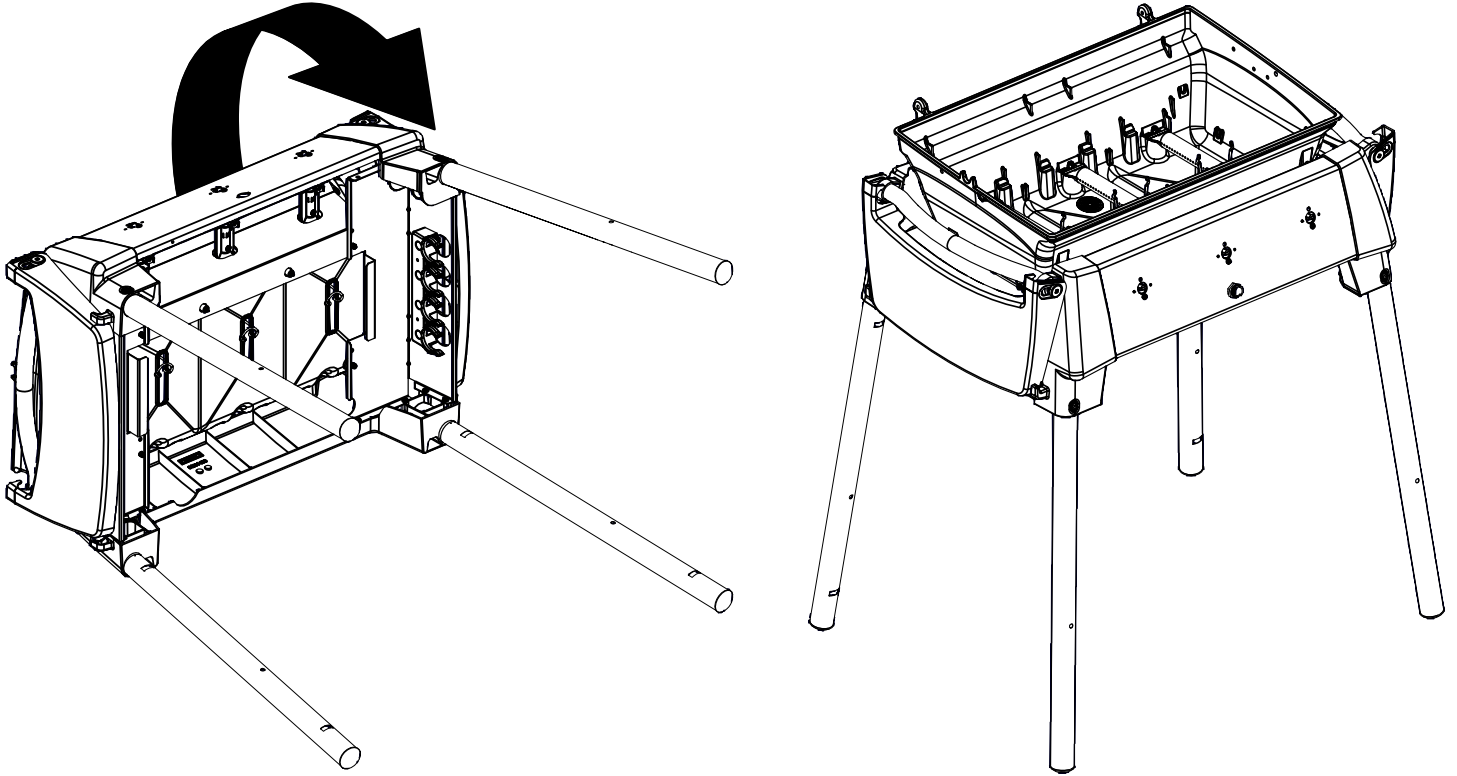
info@omcbbq.com
1-800-265-2150

10084-E25 REV D 02/18

1

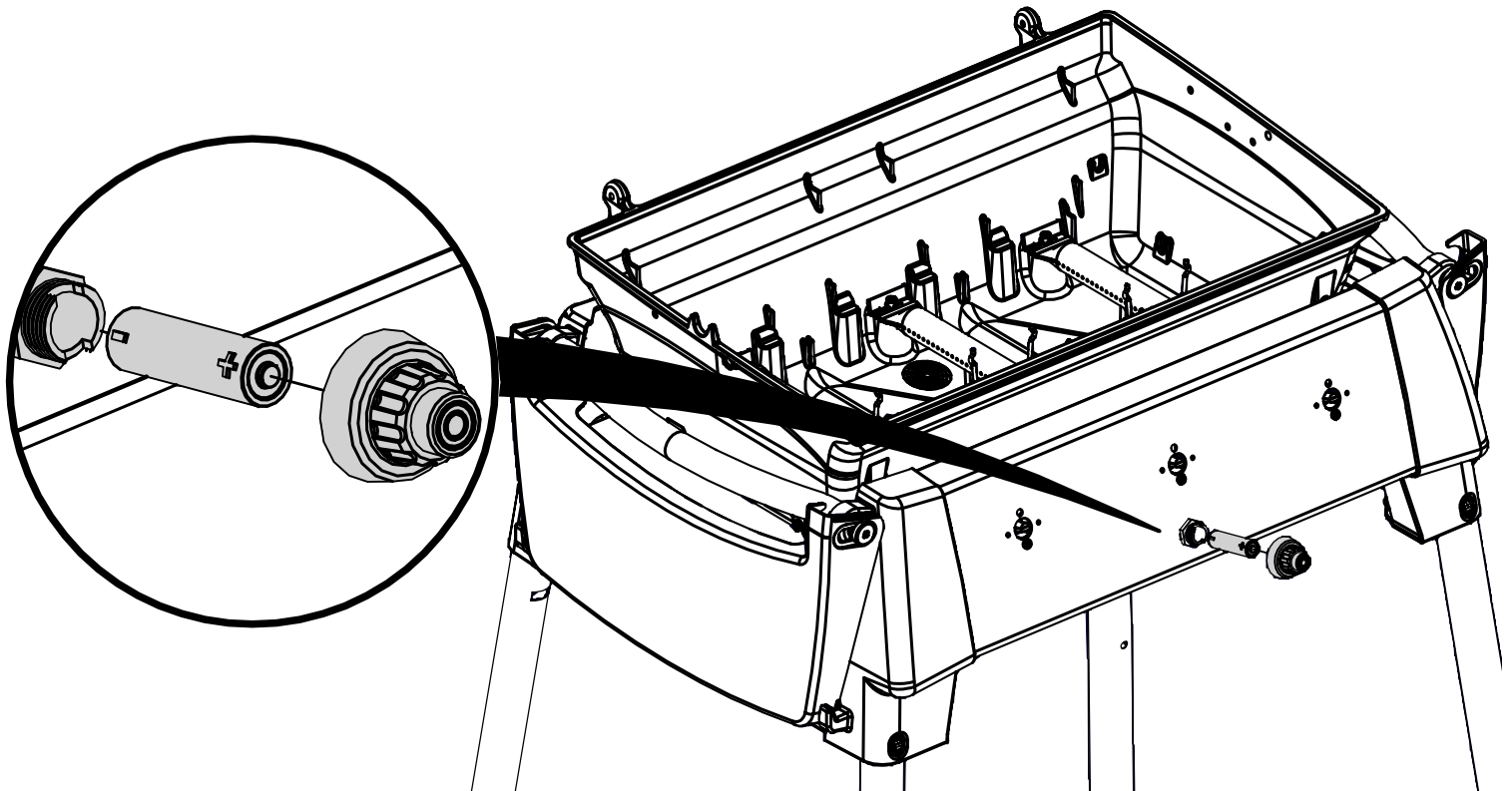


2

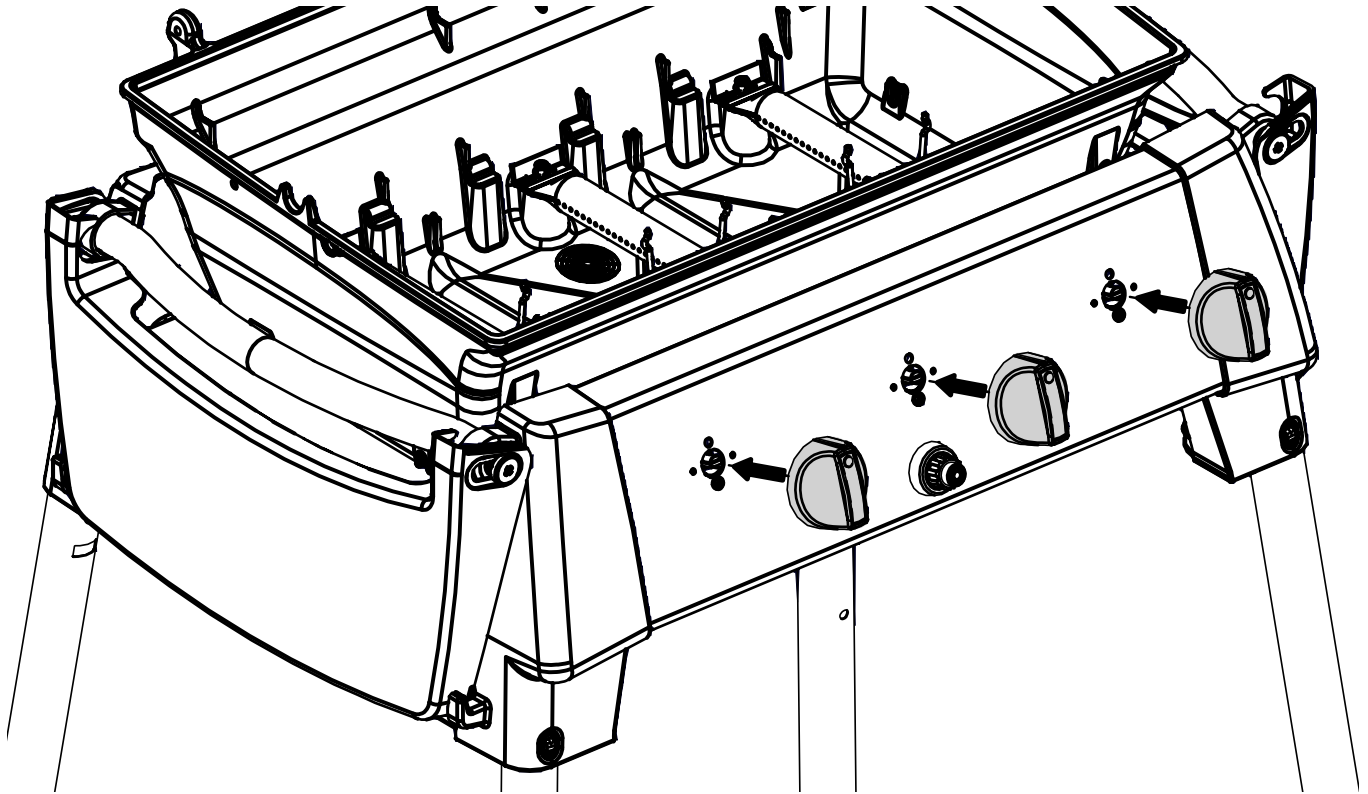


3

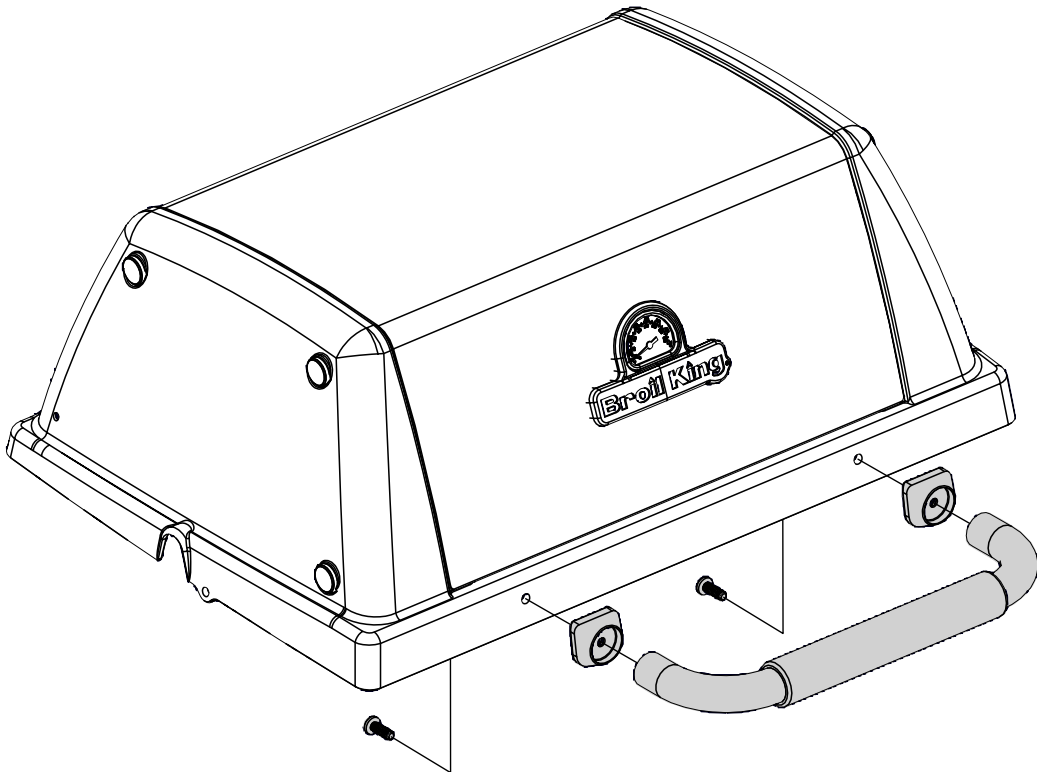
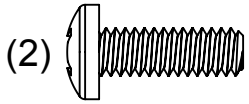
(1)  AAA



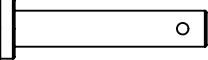

4

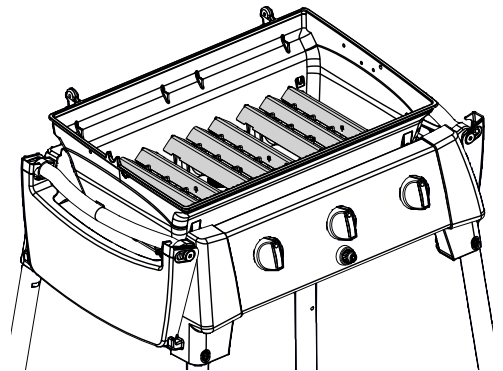
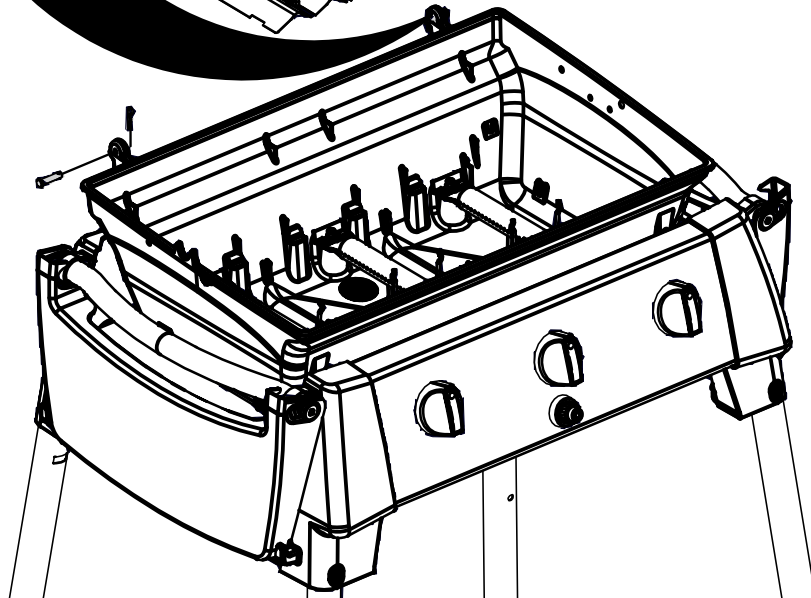
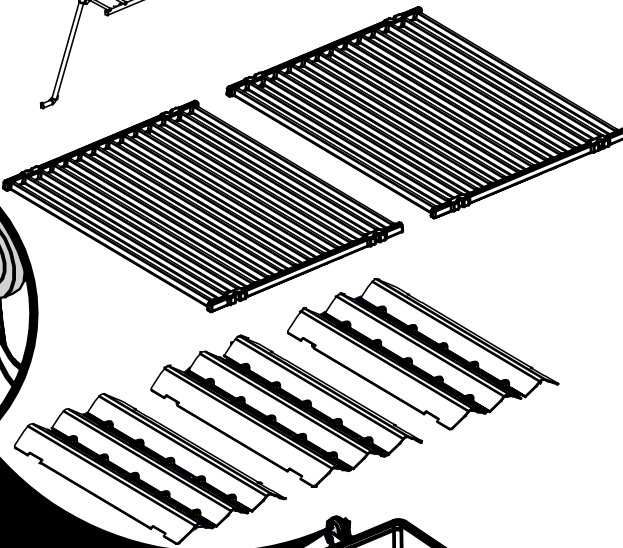
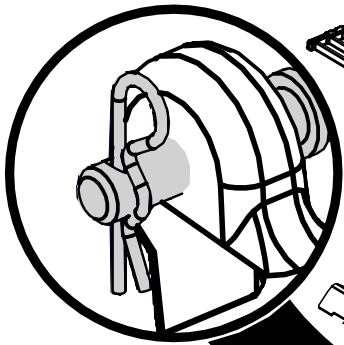
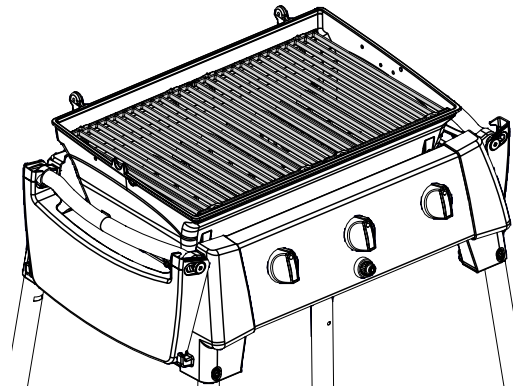
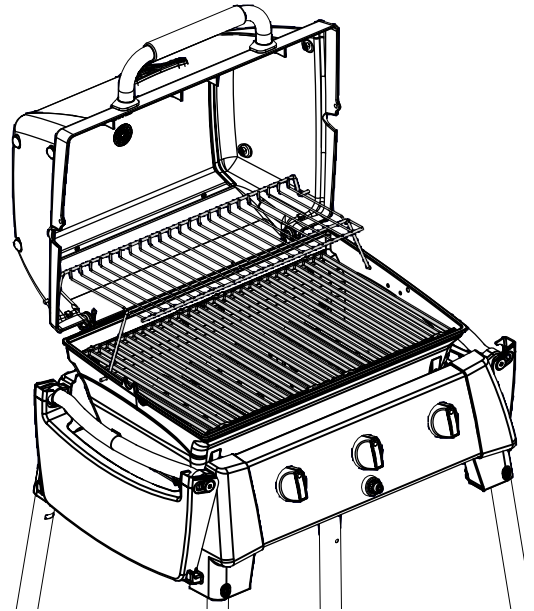
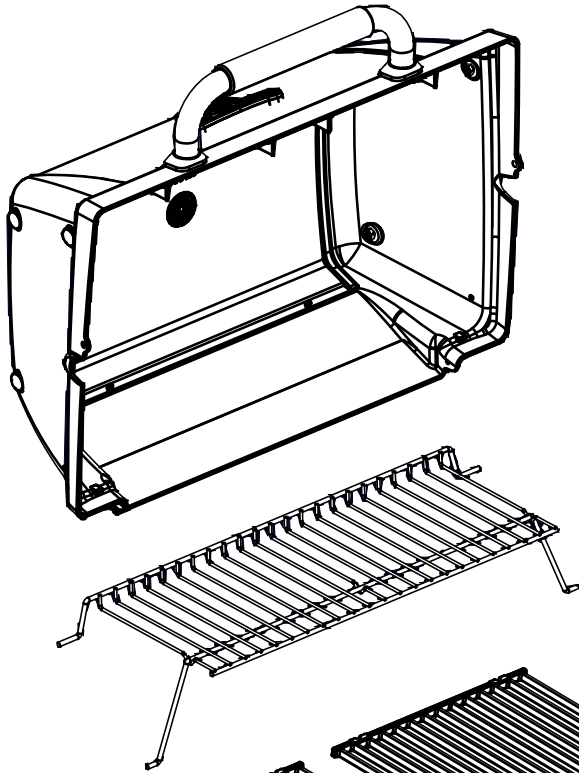


5

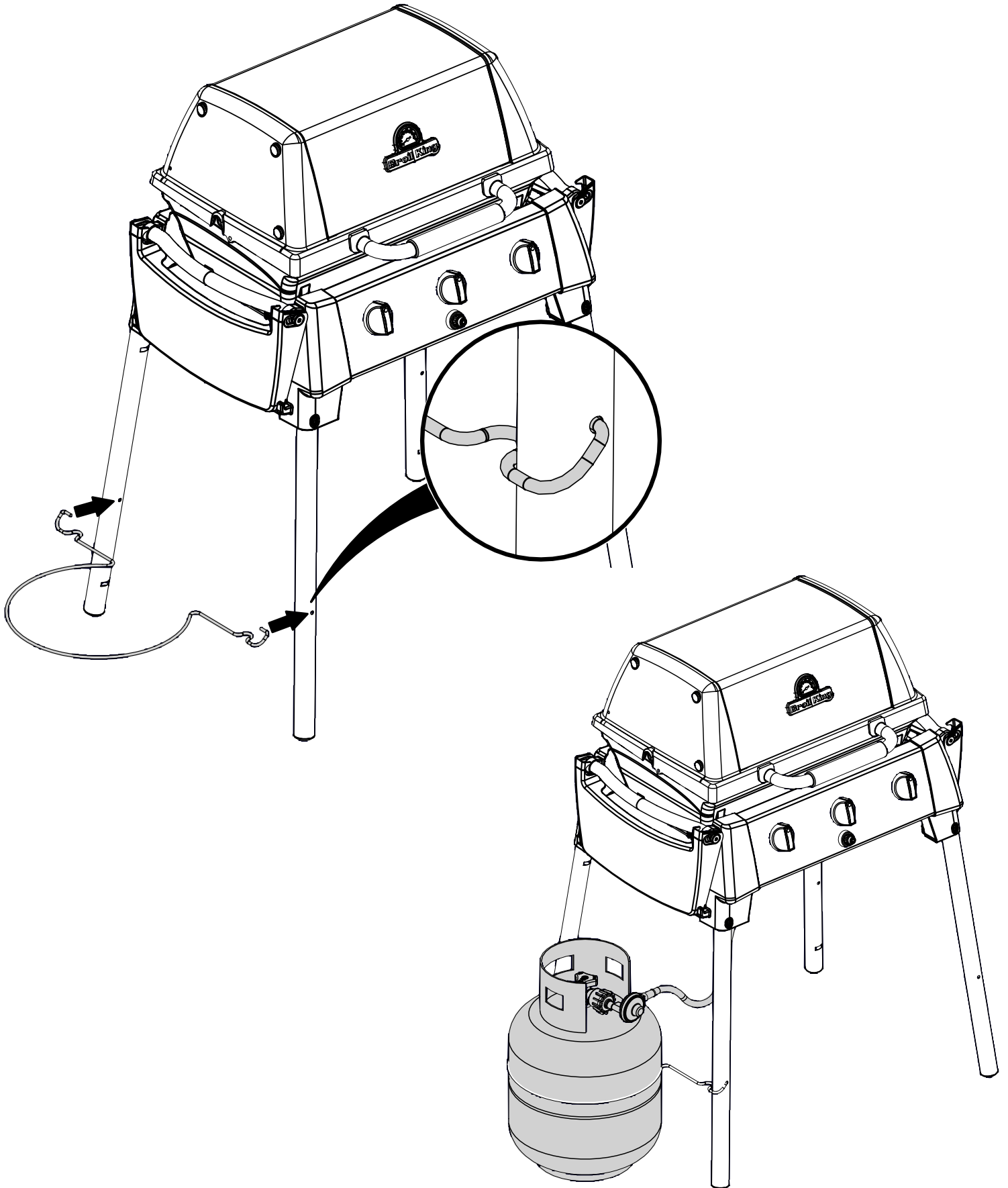


6

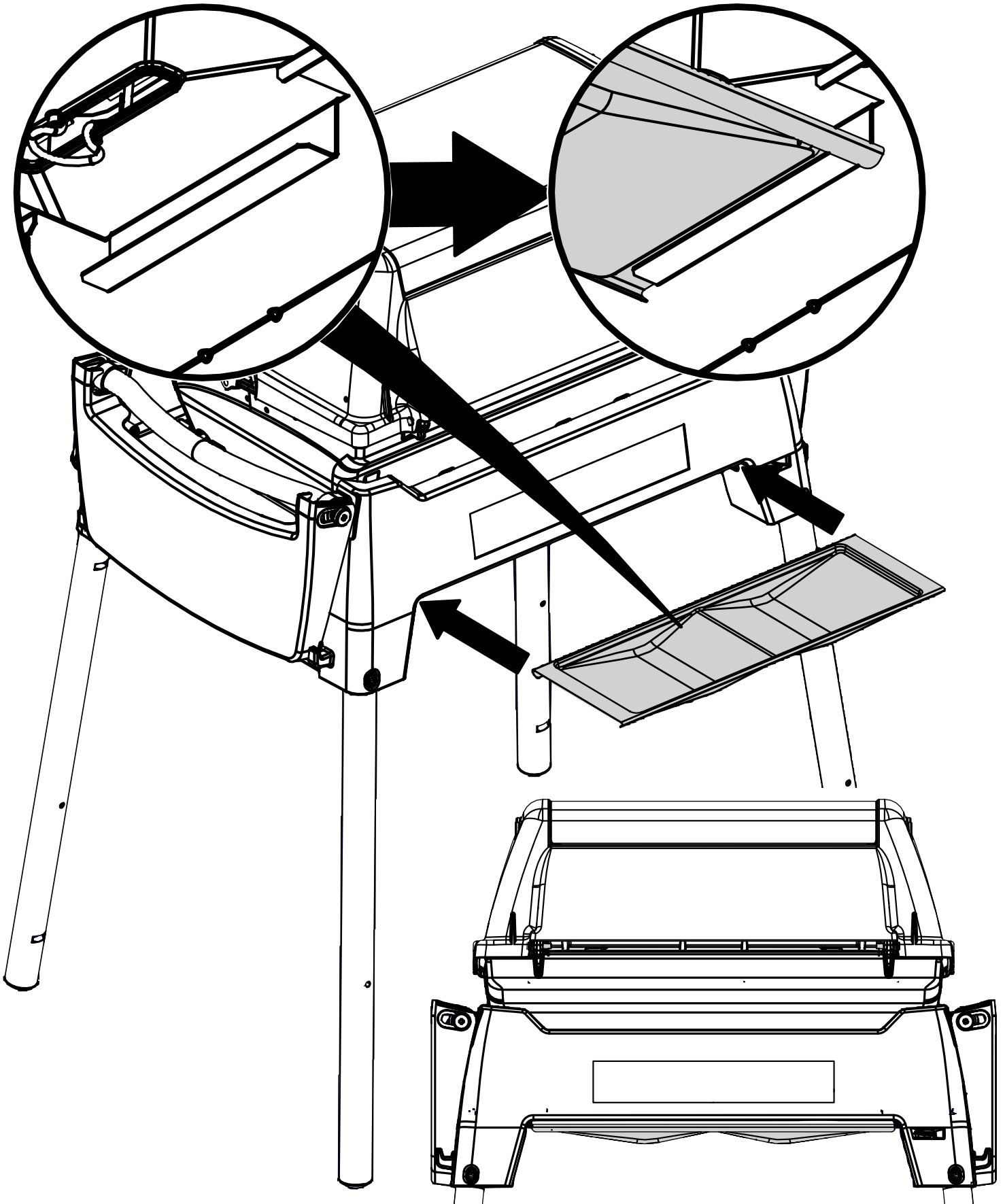
(2)  (2) 



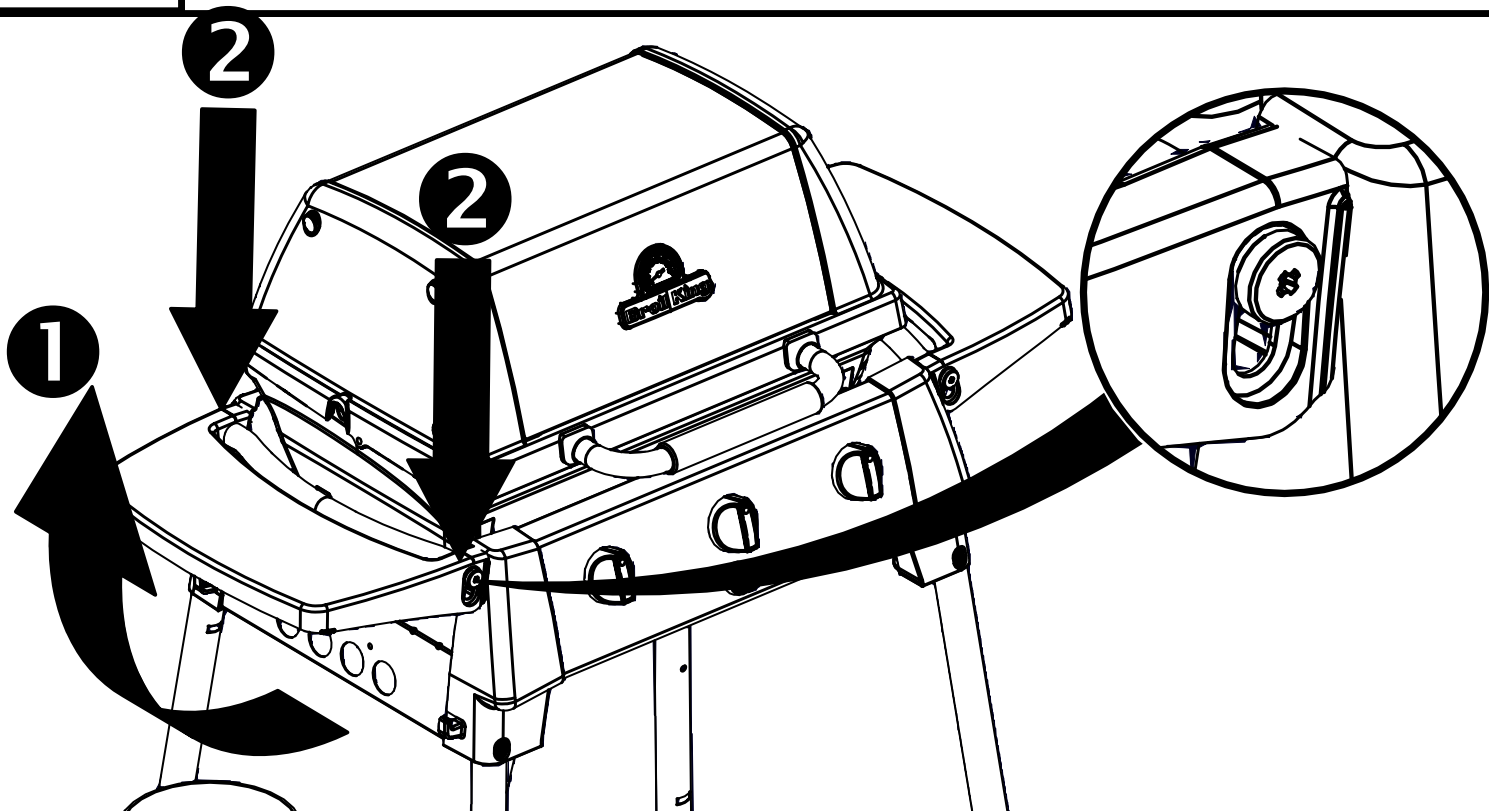
7



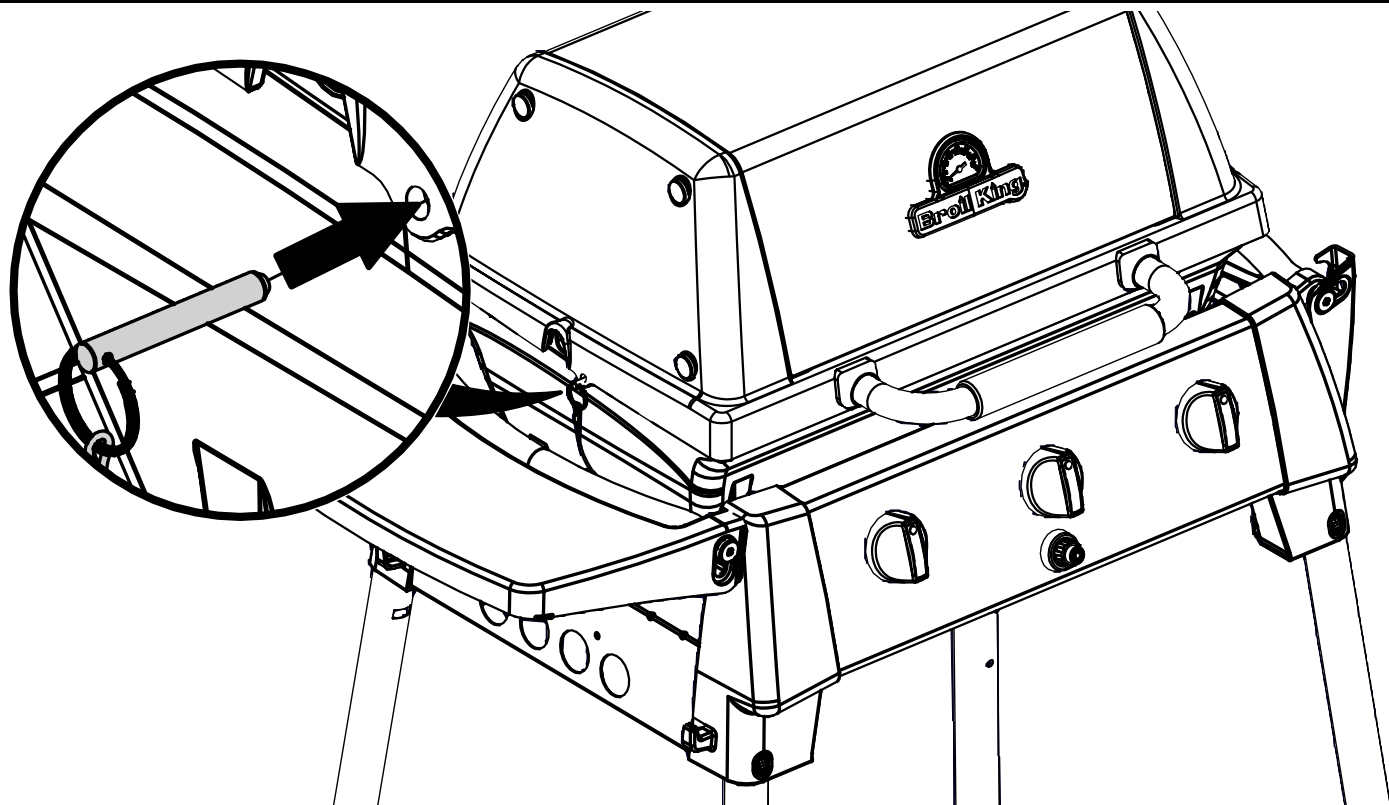
8



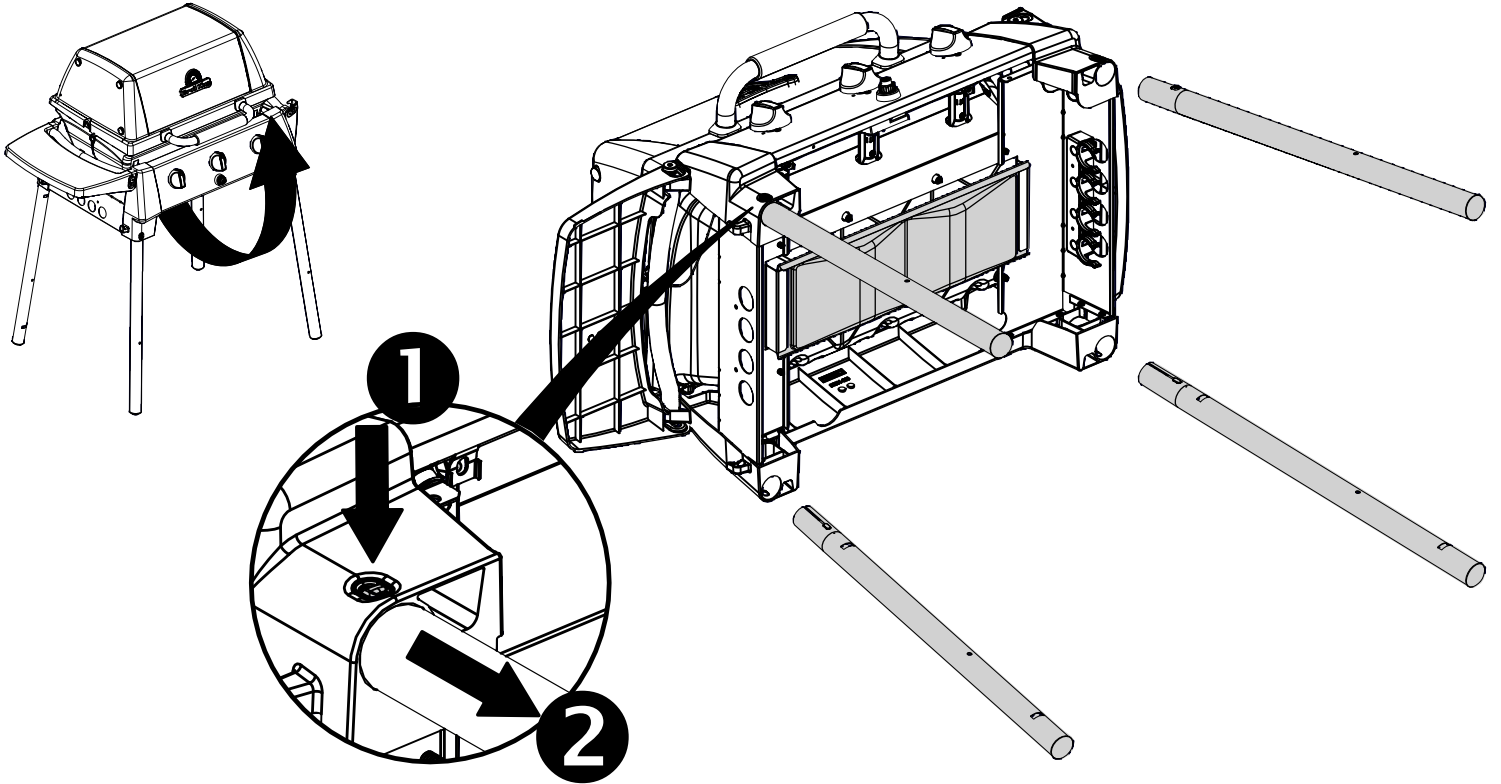
9



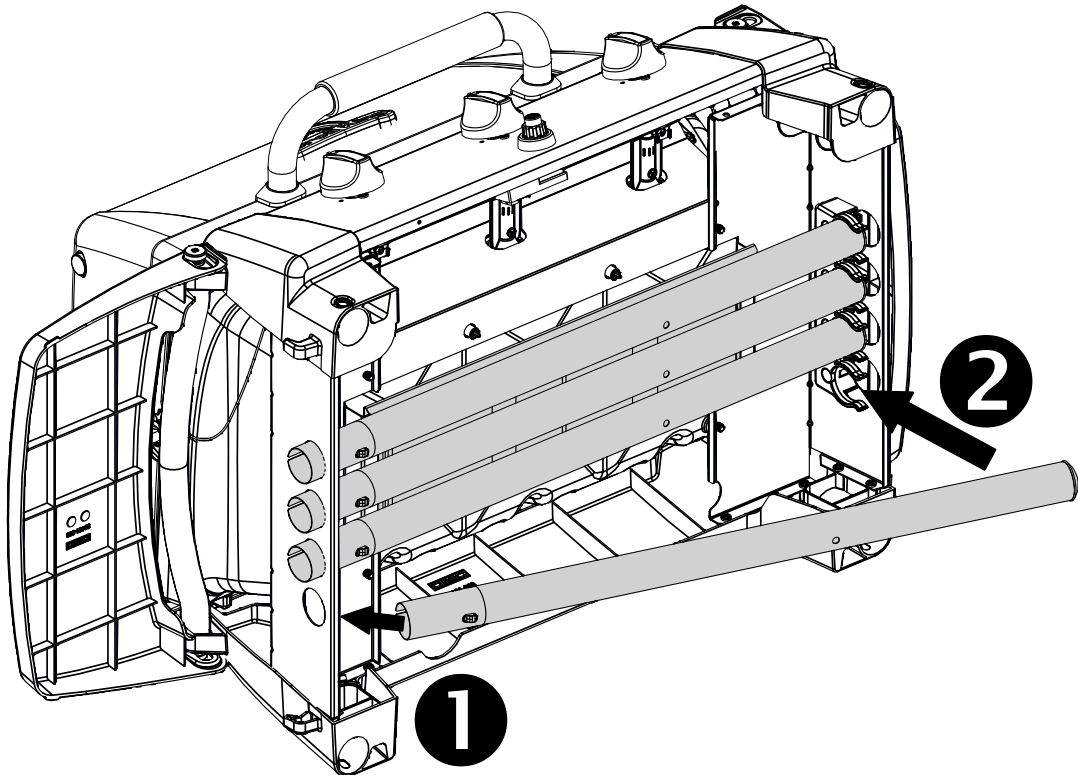
10



11



12



PARTS LIST / LISTE DES PIÈCES / TEILELISTE

| <u>KEY #</u> | <u>ITEM #</u> | <u>DESCRIPTION</u> | <u>DESCRIPTION</u> | <u>DESCRIPTION</u> | <u>9526-54</u> |
|--------------|---------------|--------------------|-------------------------|--------------------------|----------------|
| 1 | 10909-E33 | CASTING BOTTOM | FOND DU FOYER | CUERPO INFERIOR | 1 |
| 2 | 10473-E33 | CASTING TOP | COUVERCLE DU GRIL | CUERPO SUPERIOR | 1 |
| 3 | 10081-BK530 | NAMEPLATE | PLAQUE D'IDENTIFICATION | PLACA CON NOMBRE | 1 |
| 4 | 10958-E334A | TOP CASTING INSERT | PANNEAU DE COUVERCLE | INSERTO DE CUERPO | 1 |
| 5 | 10571-5 | HEAT INDICATOR | INDICATEUR DE CHALEUR | INDICADOR DE TEMPERATURA | 1 |
| 6 | 32300112 | HINGE PIN | GOUPILLE DE CHARNIÈRE | CLAVIJA DE BISAGRA | 2 |
| 7 | Y-11544 | SCREW - BURNER | VIS - BRÛLEUR | TORNILLO - QUEMADOR | 3 |
| 8 | S21242 | HITCH PIN CLIP | ATTACHE DE CHEVILLE | GANCHO PARA EL REMOLQUE | 3 |
| 9 | 10225-T205 | GRID | GRILLE | REJILLA | 2 |
| 10 | 10222-E304 | FLAV-R-WAVE™ | FLAV-R-WAVE™ | FLAV-R-WAVE™ | 3 |
| 11 | 10225-E330 | WARMING RACK | GRILLE | REJILLA | 1 |
| 12 | 10184-E17 | WIRE RETAINER | RETENUE | DETENEDOR | 3 |
| 15 | 10390-E30 | BURNER | BRÛLEUR | QUEMADOR | 3 |
| 17 | 10342-245 | IGNITOR | ALLUMAGE | ENCENDEDOR ELECTRÓNICO | 1 |
| 18 | 10342-E12 | ELECTRODE | ELECTRODE | ELECTRODO | 2 |
| 19 | 52224-024A | COLLECTOR BOX | BOÎTE DE COLLECTEUR | CAJA RECOLECTORA | 1 |
| 21 | 39004-044 | CONTROL ASSEMBLY | SOUPAPE | MECANISMO DE CONTROL | 1 |
| 22 | 10114-20 | HOSE & REGULATOR | TUYAU ET REGULATEUR | MANGUERA Y REGULADOR | 1 |
| 23 | 10472-K431 | CONTROL KNOB | BOUTON DE CONTROLE | PERILLA DE CONTROL | 3 |
| 29 | 34100-8 | LID PIN | PIN COUVERCLE | PIN TAPA | 2 |
| 30 | 10194-E228 | CONTROL COVER | PANNEAU DE CONTROLE | CUBIERTA DE CONTROL | 1 |
| 31 | 31201-338 | EDGE CAP | PAC DE BORD | BORDE CASQUILLO | 1 |
| 32 | 31201-318 | EDGE CAP | PAC DE BORD | BORDE CASQUILLO | 1 |
| 33 | 10184-F35 | HEAT SHIELD | PROTECTION | CUBIERTA | 1 |
| 36 | 10184-E281 | SUPPORT-CASTING | SUPPORT DU FOYER | SOPORTE - CUERPO | 2 |
| 39 | 31301-308 | BRACE-REAR | SUPPORT ARRIERE | ABRAZADERA-POSTERIOR | 1 |
| 41 | Y-12664 | LEG CLIP | TROMBONE DE JAMBE | CLIP DE PIERNA | 1 |
| 42 | Y-12662 | LEG CLIP | TROMBONE DE JAMBE | CLIP DE PIERNA | 4 |
| 43 | 31403-201A | LEG | JAMBE | PIERNA | 4 |
| 50 | 33101-308 | SHELF | PLANCHETTE LATERALE | ESTANTE | 2 |
| 51 | 10338-144 | HANDLE | POIGNÉE | MANGO | 2 |
| 58 | 34000-336 | BEZEL | MONTURE | PANEL | 2 |
| 75 | 31106-13A | HANDLE | POIGNÉE | MANGO | 1 |
| 76 | Y-12128 | BUSHING | DOUILLE | COJINETE | 4 |
| 78 | 31003-248 | LEG PLUG | EMBOUT DE JAMBE | TAPÓN | 4 |
| 81 | Y-12310 | SCREW 1/4-20 X 3/4 | VIS 1/4-20 X 3/4 | TORNILLO 1/4-20 X 3/4 | 2 |
| 82 | Y-12680 | SCREW 1/4-20 X 1 | VIS 1/4-20 X 1 | TORNILLO 1/4-20 X 1 | 4 |
| 87 | Y-11793 | NUT 1/4-20 | ECROU 1/4-20 | TUERCA 1/4-20 | 6 |
| 96 | S21125 | SCREW #8 X 3/8 | VIS #8 X 3/8 | TORNILLO #8 X 3/8 | 4 |
| 103 | 10184-E14 | TANK BRACKET | SUPPORT DU RESERVOIR | SOPORTE - TANQUE LP | 1 |
| 123 | 32051-302 | GREASE TRAY | PLATEAU A GRAISSE | BANDEJA DE GRASA | 1 |
| 146 | S21233 | HITCH PIN CLIP | ATTACHE DE CHEVILLE | GANCHO PARA EL REMOLQUE | 2 |
| 147 | Y-11231 | BUMPER | BUTOIR | TOPE | 4 |
| 159 | S21136 | SCREW #8-32 X 3/8 | VIS #8-32 X 3/8 | TORNILLO #8-32 X 3/8 | 3 |
| 161 | Y-29306 | SCREW #10-24 X 3/4 | VIS #10-24 X 3/4 | TORNILLO #10-24 X 3/4 | 22 |
| 166 | Y-11979 | BOLT 1/4-20 X 3/8 | BOULON 1/4-20 X 3/4 | PERNO - 1/4-20 X 3/4 | 6 |
| 167 | Y-11989 | BOLT 1/4-20 X 1 | BOULON 1/4-20 X 1 | PERNO 1/4-20 X 1 | 4 |

