



Broil King®

LUXURY

W

T

U

B

LUXURY BUILT-IN

FINALLY A SMARTER CHOICE FOR GRILLING CENTERS

Broil King® gives you a new level of flexibility with the unique modular pod system. Broil King's Built-in series is a match of performance and luxury designed for the professional outdoor chef.

Utilize the pod system to create the ultimate outdoor grilling center. This series comes equipped with premium standout features like commercial-grade stainless steel cooking grids, a double-wall stainless steel cook box and patented stainless steel Dual-Tube™ burners.

Crafted with durable North American 304 grade stainless steel, the exterior is inspired by professional cooking appliances. Light up the night with back-lit control knobs and oven lights to instantly create the perfect ambiance at your next get together.



LUXURY

DESIGNED FOR THE OUTDOOR CHEF



This version of the 2021 Broil King® Built-In Collection is not for distribution in the state of California.

DESIGNED, ENGINEERED AND TESTED FOR GREAT BARBECUE FLAVOR

Every Broil King® gas grill is built to provide unparalleled barbecue flavor. Broil King's Performance Grilling Technology (PGT) gives you the ability to cook almost anything on your grill in any style you desire. You can sear steaks to perfection, rotisserie cook poultry or roasts, and even bake elaborate desserts. Every part of the cooking system is designed and engineered for a specific purpose – to deliver great barbecue flavor. When combined, the results are simply spectacular. There's no mistaking the great flavor you get with Broil King®.





Broil King
PGTTM
PERFORMANCE GRILLING
TECHNOLOGY



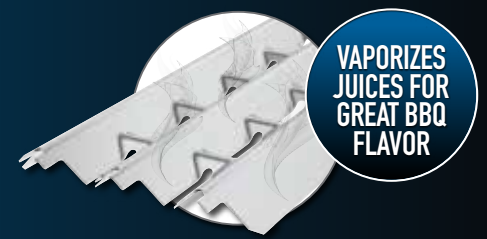
CONVECTS
FOR EVEN
HEAT

**AMAZING
HEAT RETENTION**
STAINLESS STEEL
COOK BOX DESIGN



EXTRA-THICK
GRIDS HOLD
THE HEAT

**OUTSTANDING
SEARING POWER**
CAST STAINLESS AND STAINLESS STEEL
PROFESSIONAL-GRADE COOKING GRIDS



VAPORIZES
JUICES FOR
GREAT BBQ
FLAVOR

**FULL COVERAGE ACROSS THE
GRILL SURFACE FOR EVEN HEAT**
STAINLESS STEEL FLAV-R-WAVETM
COOKING SYSTEM



EVEN HEAT
FRONT TO BACK
AND SIDE TO
SIDE

**UNMATCHED
HEAT DISTRIBUTION**
DUAL-TUBETM BURNERS



SEARING,
ROASTING
OR SLOW
COOKING

**PRECISE TEMPERATURE
CONTROL EVERY TIME**
LINEAR-FLOWTM CONTROL

IMPERIAL™ ISLAND STANDARD FEATURES

SIDE BURNER	10,000 BTU commercial-grade side burner
ROTISSERIE BURNER	15,000 BTU stainless steel rear rotisserie burner and premium rotisserie kit
COOKING GRIDS	Professional cast stainless steel cooking grids
FLAVOR SYSTEM	304 stainless steel Flav-R-Wave™ cooking system
HEAT CONTROL	Linear-Flow™ valves with 180° Sensi-Touch™ control
THERMOMETER	Deluxe Accu-Temp™ thermometer(s)
IGNITION	Sure-Lite™ electronic ignition system
COOK BOX	304 stainless steel cook box with cast aluminum end caps
LID DESIGN	Roll-action lid(s) with cast aluminum end caps
HANDLES	Stylish and durable stainless steel handles
FINISH	Premium stainless steel finish
BUILT-IN LIGHTS	Built-in lights located in the cook box and control knobs
SIDE CABINETS	Side burner 304 stainless steel cabinet with tank storage One door /one drawer 304 stainless steel storage cabinet
COUNTERTOP	Durable granite countertop



IMPERIAL™ S 690i

PERFORMANCE	60,000 BTU main burner output
BURNERS	Six stainless steel Dual-Tube™ burners
COOK BOX	Two completely separate cook boxes
TOTAL COOK SPACE	1,030 sq-in / 6,645 sq cm total cooking space including two porcelain coated warming racks
LARGE COOK BOX	500 sq-in / 3,225 sq cm primary large cook box
SMALL COOK BOX	250 sq-in / 1,613 sq cm primary small cook box
COOK BOX LIDS	Two durable stainless steel lids
CABINET	Six burner 304 stainless steel cabinet with four storage drawers





IMPERIAL™ S 590i

PERFORMANCE	55,000 BTU main burner output
BURNERS	Five stainless steel Dual-Tube™ burners
TOTAL COOK SPACE	875 sq-in / 5,645 sq cm total cooking space including porcelain coated warming racks
PRIMARY COOK SPACE	625 sq-in / 4,032 sq cm primary cooking space
COOK BOX LID	Durable stainless steel lid
CABINET	Five burner 304 stainless steel cabinet with four storage drawers



IMPERIAL™ BUILT-IN STANDARD FEATURES

SIDE BURNER	10,000 BTU commercial-grade side burner
ROTISSERIE BURNER	15,000 BTU stainless steel rear rotisserie burner and premium rotisserie kit
COOKING GRIDS	Professional cast stainless steel cooking grids
FLAVOR SYSTEM	304 stainless steel Flav-R-Wave™ cooking system
HEAT CONTROL	Linear-Flow™ valves with 180° Sensi-Touch™ control
THERMOMETER	Deluxe Accu-Temp™ thermometer(s)
IGNITION	Sure-Lite™ electronic ignition system
COOK BOX	304 stainless steel cook box with cast aluminum end caps
LID DESIGN	Roll-action lid(s) with cast aluminum end caps
HANDLES	Stylish and durable stainless steel handles
FINISH	Premium stainless steel finish
BUILT-IN LIGHTS	Built-in lights located in the cook box and control knobs

18674 LP / 18677 NG | INFRARED SIDE BURNER OPTIONAL (SOLD SEPARATELY)

IR SIDE BURNER	10,000 BTU Infrared side burner with solid 8 mm stainless steel cooking grid
----------------	--



IMPERIAL™ S 690 FEATURES

PERFORMANCE	60,000 BTU main burner output
BURNERS	Six stainless steel Dual-Tube™ burners
COOK BOX	Two completely separate cook boxes
TOTAL COOK SPACE	1,030 sq-in / 6,645 sq cm total cooking space including two porcelain coated warming racks
LARGE COOK BOX	500 sq-in / 3,225 sq cm primary large cook box
SMALL COOK BOX	250 sq-in / 1,613 sq cm primary small cook box
COOK BOX LIDS	Two durable stainless steel lids





IMPERIAL™ S 590 FEATURES

PERFORMANCE	55,000 BTU main burner output
BURNERS	Five stainless steel Dual-Tube™ burners
TOTAL COOK SPACE	875 sq-in / 5,645 sq cm total cooking space including porcelain coated warming rack
PRIMARY COOK SPACE	625 sq-in / 4,032 sq cm primary cooking space
COOK BOX LID	Durable stainless steel lid



IMPERIAL™ S 490 FEATURES

PERFORMANCE	44,000 BTU main burner output
BURNERS	Four stainless steel Dual-Tube™ burners
TOTAL COOK SPACE	695 sq-in / 4,484 sq cm total cooking space including porcelain coated warming rack
PRIMARY COOK SPACE	500 sq-in / 3,226 sq cm primary cooking space
COOK BOX LID	Durable stainless steel lid

IMPERIAL™ BUILT-IN STANDARD FEATURES

ROTISSERIE BURNER	15,000 BTU stainless steel rear rotisserie burner and premium rotisserie kit
COOKING GRIDS	Professional cast stainless steel cooking grids
FLAVOR SYSTEM	304 stainless steel Flav-R-Wave™ cooking system
HEAT CONTROL	Linear-Flow™ valves with 180° Sensi-Touch™ control
THERMOMETER	Deluxe Accu-Temp™ thermometer(s)
IGNITION	Sure-Lite™ electronic ignition system
COOK BOX	304 stainless steel cook box with cast aluminum end caps
LID DESIGN	Roll-action lid(s) with cast aluminum end caps
HANDLES	Stylish and durable stainless steel handles
FINISH	Premium stainless steel finish
BUILT-IN LIGHTS	Built-in lights located in the cook box and control knobs



IMPERIAL™ S 670 FEATURES

PERFORMANCE	60,000 BTU main burner output
BURNERS	Six stainless steel Dual-Tube™ burners
COOK BOX	Two completely separate cook boxes
TOTAL COOK SPACE	1,030 sq-in / 6,645 sq cm total cooking space including two porcelain coated warming racks
LARGE COOK BOX	500 sq-in / 3,225 sq cm primary large cook box
SMALL COOK BOX	250 sq-in / 1,613 sq cm primary small cook box
COOK BOX LIDS	Two durable stainless steel lids





IMPERIAL™ S 570 FEATURES

PERFORMANCE	55,000 BTU main burner output
BURNERS	Five stainless steel Dual-Tube™ burners
TOTAL COOK SPACE	875 sq-in / 5,645 sq cm total cooking space including porcelain coated warming rack
PRIMARY COOK SPACE	625 sq-in / 4,032 sq cm primary cooking space
COOK BOX LID	Durable stainless steel lid



IMPERIAL™ S 470 FEATURES

PERFORMANCE	44,000 BTU main burner output
BURNERS	Four stainless steel Dual-Tube™ burners
TOTAL COOK SPACE	695 sq-in / 4,484 sq cm total cooking space including porcelain coated warming rack
PRIMARY COOK SPACE	500 sq-in / 3,226 sq cm primary cooking space
COOK BOX LID	Durable stainless steel lid

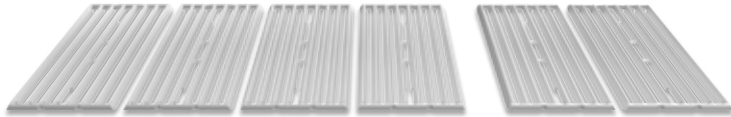
IMPERIAL™ 600 SERIES | 1,030 SQ-IN TOTAL GRILLING AREA

STAINLESS STEEL WARMING RACK - 280 SQ INCHES



CAST STAINLESS GRIDS - 500 SQ INCHES

250 SQ INCHES

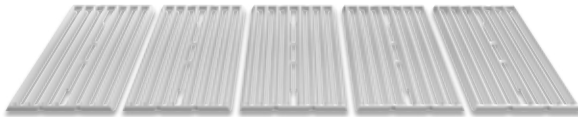


IMPERIAL™ 500 SERIES | 875 SQ-IN TOTAL GRILLING AREA

STAINLESS STEEL WARMING RACK - 250 SQ INCHES



CAST STAINLESS COOKING GRIDS - 625 SQ INCHES

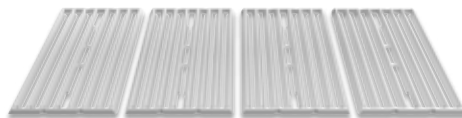


IMPERIAL™ 400 SERIES | 695 SQ-IN TOTAL GRILLING AREA

STAINLESS STEEL WARMING RACK - 195 SQ INCHES



CAST STAINLESS COOKING GRIDS - 500 SQ INCHES



CAST STAINLESS STEEL GRIDS



GROOVED SIDE



CAST IRON SIDE BURNER



10,000 BTU



STAINLESS STEEL ROTISSERIE BURNER



15,000 BTU



304 STAINLESS STEEL COOK BOX



ELECTRONIC IGNITION



STAINLESS STEEL WARMING RACK



STAINLESS STEEL HANDLES



BUILT-IN OVEN LIGHTS



CONTROL KNOB LIGHTS



REGAL™ BUILT-IN STANDARD FEATURES

COOKING GRIDS	Solid 9 mm stainless steel cooking grids
FLAVOR SYSTEM	304 stainless steel Flav-R-Wave™ cooking system
HEAT CONTROL	Linear-Flow™ valves with 180° Sensi-Touch™ control
THERMOMETER	Deluxe Accu-Temp™ thermometer
IGNITION	Sure-Lite™ electronic ignition system
COOK BOX AND LID	304 stainless steel cook box and lid with cast aluminum end caps
LID DESIGN	Roll-action lid with cast aluminum end caps
HANDLE	Stylish and durable stainless steel handle
FINISH	Premium stainless steel finish
BUILT-IN LIGHTS	Built-in battery operated control knob lights



REGAL™ S 520 PRO FEATURES

PERFORMANCE	55,000 BTU main burner output
BURNERS	Five stainless steel Dual-Tube™ burners
TOTAL COOK SPACE	875 sq-in / 5,645 sq cm total cooking space including porcelain coated warming rack
PRIMARY COOK SPACE	625 sq-in / 4,032 sq cm primary cooking space





REGAL™ S 420 PRO FEATURES

PERFORMANCE	44,000 BTU main burner output
BURNERS	Four stainless steel Dual-Tube™ burners
TOTAL COOK SPACE	695 sq-in / 4,484 sq cm total cooking space including porcelain coated warming rack
PRIMARY COOK SPACE	500 sq-in / 3,226 sq cm primary cooking space



IMPERIAL™ S 200 RANGE BURNER

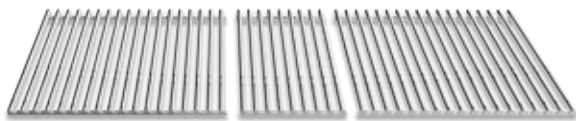
PERFORMANCE	20,000 BTU main burner output
BURNERS	Two range burners each with individual controls
COOKING TRIVET	Two durable cast iron trivets
HEAT CONTROL	Linear-Flow™ valves with 180° Sensi-Touch™ control
IGNITION	Sure-Lite™ electronic ignition system
FINISH	Premium stainless steel finish
BUILT-IN LIGHTS	Built-in battery operated control knob lights

REGAL™ S 520 | 875 SQ-IN TOTAL GRILLING AREA

STAINLESS STEEL WARMING RACK - 250 SQ INCHES



STAINLESS STEEL COOKING GRIDS - 625 SQ INCHES

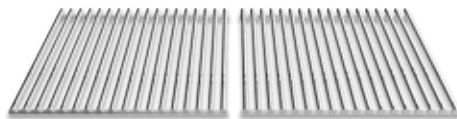


REGAL™ S 420 | 695 SQ-IN TOTAL GRILLING AREA

STAINLESS STEEL WARMING RACK - 195 SQ INCHES



STAINLESS STEEL COOKING GRIDS - 500 SQ INCHES



STAINLESS STEEL GRIDS



9MM THICK



STAINLESS STEEL DUAL-TUBE™ BURNERS



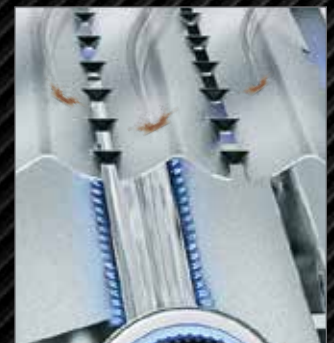
DUAL-FLAME



STAINLESS STEEL FLAV-R-WAVE™



INFUSES GREAT FLAVOR



304 STAINLESS STEEL COOK BOX



ELECTRONIC IGNITION



STAINLESS STEEL WARMING RACK



STAINLESS STEEL HANDLES



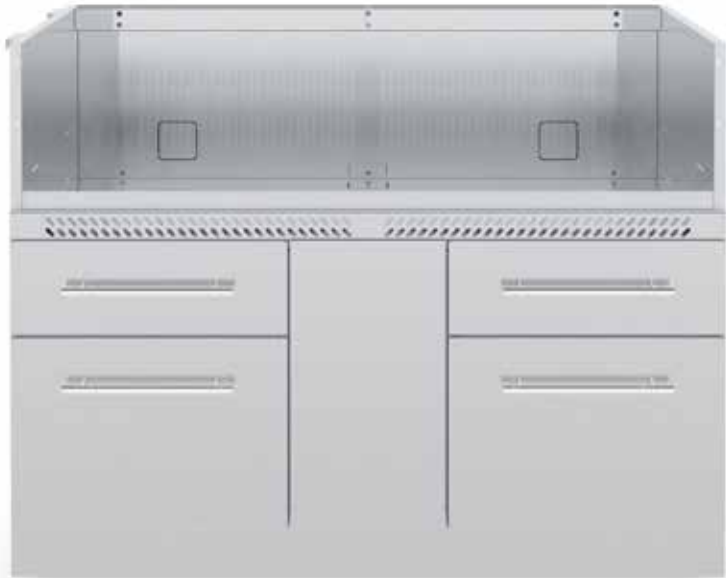
SLIDE-OUT GREASE TRAY SYSTEM



CONTROL KNOB LIGHTS



STAINLESS STEEL GRILL CABINETS



*Grill head sold separately.

6 BURNER STAINLESS STEEL CABINET

CONSTRUCTION	Premium 304 grade stainless steel
SUPPORT	Four sturdy leveling feet
STORAGE	Four stainless steel drawers Small 4.13-in x 15.16-in x 20.04-in 10.5 cm x 38.52 cm x 50.91 cm Large 10.27-in x 15.16-in x 20.04-in 26.1 cm x 38.52 cm x 50.91 cm
DIMENSIONS	34.45-in x 45.2-in x 29.84-in 87.5 cm x 114.8 cm x 75.8 cm





*Grill head sold separately.

5 BURNER STAINLESS STEEL CABINET

CONSTRUCTION	Premium 304 grade stainless steel
SUPPORT	Four sturdy leveling feet
STORAGE	Four stainless steel drawers Small 4.13-in x 15.16-in x 20.04-in 10.5 cm x 38.52 cm x 50.91 cm Large 10.27-in x 15.16-in x 20.04-in 26.1 cm x 38.52 cm x 50.91 cm
DIMENSIONS	34.45-in x 37.88-in x 29.84-in 87.5cm x 96.2 cm x 75.8 cm



STAINLESS STEEL GRILL CABINETS



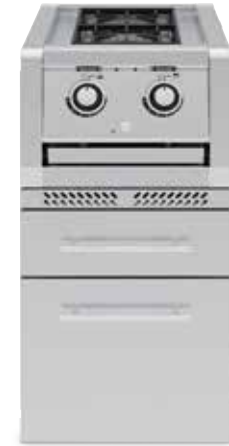
*Grill head sold separately.

4 BURNER STAINLESS STEEL CABINET

CONSTRUCTION	Premium 304 grade stainless steel
SUPPORT	Four sturdy leveling feet
STORAGE	Two stainless steel drawers Small 4.13-in x 28.81-in x 20.04-in 10.5 cm x 73.19 cm x 50.91 cm Large 10.27-in x 28.81-in x 20.04-in 26.1 cm x 73.19 cm x 50.91 cm
DIMENSIONS	34.45-in x 31.5-in x 29.84-in 87.5 cm x 80 cm x 75.8 cm



STAINLESS STEEL RANGE BURNER CABINET



*Imperial™ S 200 Range Burner sold separately.

S 200 RANGE BURNER CABINET

CONSTRUCTION	Premium 304 grade stainless steel
SUPPORT	Four sturdy leveling feet
STORAGE	Two stainless steel drawers Small 4.13-in x 15.16-in x 20.04-in 10.5 cm x 38.52 cm x 50.91 cm Large 10.27-in x 15.16-in x 20.04-in 26.1 cm x 38.52 cm x 50.91 cm
DIMENSIONS	34.95-in x 17.72-in x 29.84-in 87.5 cm x 90 cm x 75.8 cm



STAINLESS STEEL STORAGE CABINETS



*Sink and countertop not included.

2-DOOR STAINLESS STEEL CABINET

CONSTRUCTION	Premium 304 grade stainless steel
SUPPORT	Four sturdy leveling feet
STORAGE	Two stainless steel doors with stainless steel shelf
DIMENSIONS	34.45-in x 35.41-in x .35.41-in 87.5 cm x 90 cm x 75 cm





*Countertop not included.

3-DRAWER STAINLESS STEEL CABINET

CONSTRUCTION	Premium 304 grade stainless steel
SUPPORT	Four sturdy leveling feet
STORAGE	Three stainless steel easy-glide drawers
DIMENSIONS	34.45-in x 17.72-in x 29.84-in 87.5 cm x 45 cm x 75.8 cm



STAINLESS STEEL STORAGE CABINETS



*Countertop not included.

1-DOOR / DRAWER STAINLESS STEEL CABINET

CONSTRUCTION	Premium 304 grade stainless steel
SUPPORT	Four sturdy leveling feet
STORAGE	Stainless steel door with shelf / one easy-glide drawer
DIMENSIONS	34.45-in x 17.72-in x 29.84-in 87.5 cm x 45 cm x 75.8 cm





*Countertop not included.

WASTE ORGANIZER STAINLESS STEEL CABINET

CONSTRUCTION	Premium 304 grade stainless steel
SUPPORT	Four sturdy leveling feet
STORAGE	Stainless steel door / pull-out cabinet with white trash bin and blue recycling bin included
DIMENSIONS	34.45-in x 17.72-in x 29.84-in 87.5 cm x 45 cm x 75.8 cm



STAINLESS STEEL SIDE BURNER CABINET



*Side Burner sold separately.
*Countertop not included.

TANK / SIDE BURNER STAINLESS STEEL CABINET

CONSTRUCTION	Premium 304 grade stainless steel
SUPPORT	Four sturdy leveling feet
STORAGE	Stainless steel door with pull-out propane tank drawer
DIMENSIONS	34.45-in x 17.72-in x 29.84-in 87.5 cm x 45 cm x 75.8 cm



STAINLESS STEEL CORNER CABINET



*Countertop not included.

90° CORNER CABINET

CONSTRUCTION	Premium 304 grade stainless steel
SUPPORT	Six sturdy leveling feet
DIMENSIONS	34.8-in x 27.06-in x 27.3-in 86.56 cm x 68.73 cm x 69.34 cm



STAINLESS STEEL CABINET ACCESSORIES



CABINET SIDE PANEL

CONSTRUCTION	Premium 304 grade stainless steel
DIMENSIONS	30.69-in x 1.97-in x 29.53-in 78 cm x 5 cm x 75 cm





REAR PANEL FEATURES

CONSTRUCTION	Premium 304 grade stainless steel
---------------------	-----------------------------------

REAR PANEL – 6 BURNER CABINET

DIMENSIONS	30.69-in x 45.2-in x 1.85-in 78 cm x 114.8 cm x 4.7 cm
-------------------	--

REAR PANEL – 5 BURNER CABINET

DIMENSIONS	30.69-in x 37.88-in x 1.85-in 78 cm x 96.2 cm x 4.7 cm
-------------------	--

REAR PANEL – 4 BURNER CABINET

DIMENSIONS	30.69-in x 31.5-in x 1.85-in 78 cm x 80 cm x 4.7 cm
-------------------	---

REAR PANEL – KEG / 2 DOOR CABINET

DIMENSIONS	30.69-in x 35.41-in x 1.85-in 78 cm x 90 cm x 4.7 cm
-------------------	--

REAR PANEL – SMALL CABINET

DIMENSIONS	30.69-in x 17.72-in x 1.85-in 78 cm x 45 cm x 4.7 cm
-------------------	--

REAR PANEL – 90° CORNER CABINET (2 PIECES)

DIMENSIONS	30.69-in x 17.72-in x 1.85-in 78 cm x 45 cm x 4.7 cm
-------------------	--



COMPACT FRIDGE REAR PANEL FEATURES

CONSTRUCTION	Premium 304 grade stainless steel
---------------------	-----------------------------------

24-IN COMPACT FRIDGE BACK PANEL

DESIGN	Fits most 24-in wide compact refrigerators
---------------	--

DIMENSIONS	30.69-in x 24.02-in x 28.43 78 cm x 61 cm x 72.2 cm
-------------------	---

22-IN COMPACT FRIDGE BACK PANEL

DESIGN	Fits most 22-in wide compact refrigerators
---------------	--

DIMENSIONS	30.69-in x 22.05-in x 28.43 78 cm x 56 cm x 72.2 cm
-------------------	---

STAINLESS STEEL OUTDOOR FRIDGE



INTEGRATED OUTDOOR FRIDGE – 24-IN

CONSTRUCTION	Smudge-resistant stainless steel, cutting-edge temperature management system, and door ajar alarm
SUPPORT	Four sturdy leveling feet
TEMPERATURE RANGE	Low: 36°F / High: 50°F Low: 2.2°C / High: 10°C
STORAGE	Capacity volume of 155 Liters / 5.5 cu. ft
DIMENSIONS	36.38-in x 23.82-in x 25.87-in 92.41 cm x 60.5 cm x 65.71 cm



PROTECT MORE PREMIUM GRILL COVERS

Keep your grill looking its best. Crafted from water resistant PVC with a heavy woven 900D polyester backing, these premium covers feature a retention system for a secure fit. Blue accent stitching adds style to the extra reinforced seams. Molded rubber handles make the cover easy to remove. Well-crafted covers to protect well-built grills!



PART #	MODEL
68590	BROIL KING® IMPERIAL™ 600 SERIES
68592	BROIL KING® IMPERIAL™ / REGAL™ 500 SERIES
68591	BROIL KING® IMPERIAL™ / REGAL™ 400 SERIES



THE TIE-CORD EASILY SECURES TO BUILT-IN UNIT



FLASHING DIRECTS WATER AWAY FROM GRILL



SNUG-FIT HOOK AND LOOP ADJUSTMENT



DURABLE MOLDED RUBBER HANDLES



BUILT-IN ASSEMBLY HOW IT WORKS

Easy to assemble. Better to enjoy.

Simply choose your grill, burner, cabinets, outdoor kitchen accessories and countertop and you're on your way to creating your ultimate outdoor grilling center. The stainless steel cabinets come pre-assembled so all that is required is securing them together with a few fasteners.



Lift the cabinet onto the L-Bracket affixed to the adjoining bottom cabinet.



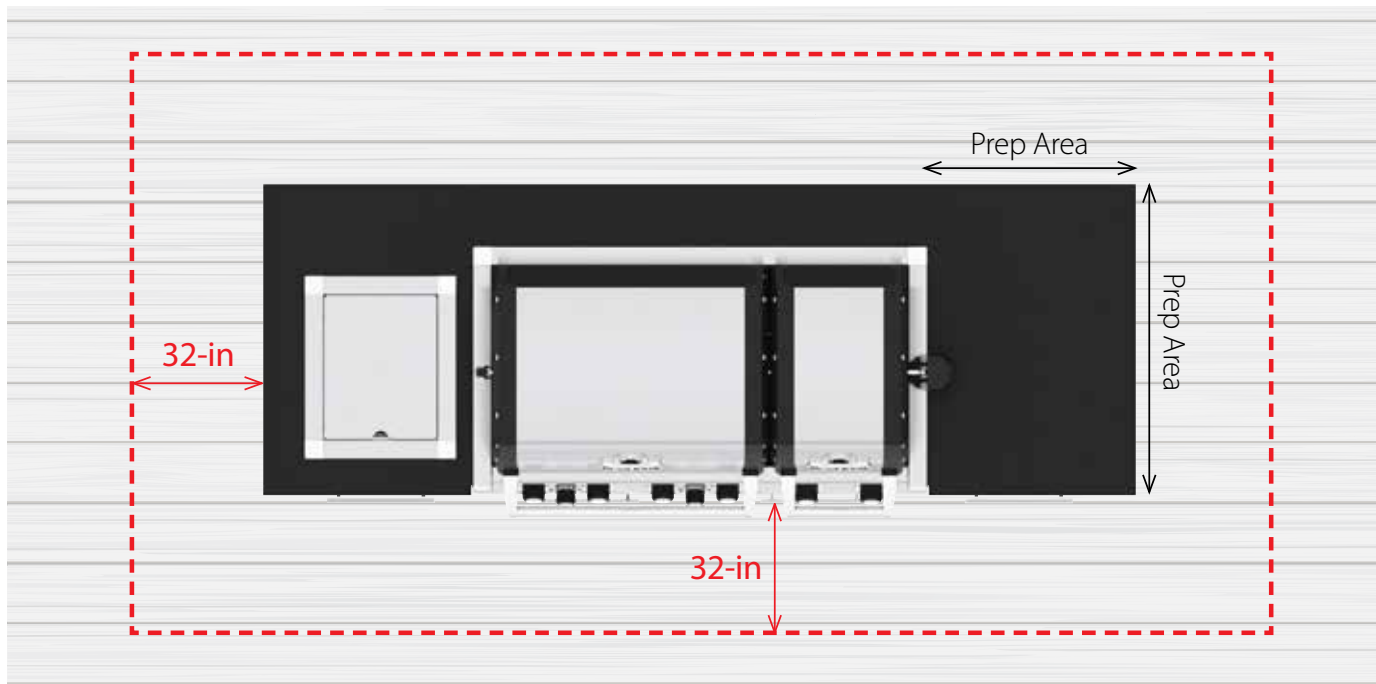
Latch the top L-Bracket from the adjoining cabinet over the cabinet and secure with screws.



PLANNING YOUR OUTDOOR KITCHEN

Find the ideal location

The first step in designing your outdoor grilling center is to survey the area. You need to determine how much space you can dedicate, then measure it. Make sure that your grilling paradise is close to accessible utilities. We recommend using at least 32-in | 81.3 cm of clearance to ensure that you have plenty of room for food prep, cooking, serving, and entertaining.



Drawing your design on paper will help you understand where you need to position things so you can get the best possible experience for you and your guests.

DETERMINE YOUR NEEDS

Entertaining Area

How much space do you have to work with on your deck or patio?

Location

Will your outdoor grilling center be against a wall or free- Are there any fire risks in the area?

Water

Do you require running water? Hot and Cold? How far away is outdoor plumbing from the grilling center?

Drainage

Are you going to use the waste water system in your home? French drain or dry well? Bucket or yard drainage?

Winterizing Shut-Offs

Do you need to winterize? Where are the shut-off valves located?

Gas

Do you need to have a line installed for natural gas or are you using a propane tank?

Electrical

Where are the outlets located? Do you have the proper amperage requirements?

Shelter from the Elements

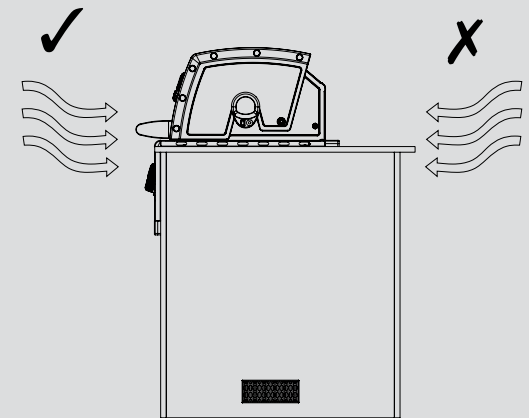
Do you need to plant trees or install awnings/ pergola to provide shade? Direction of the wind for blowing smoke?

Lighting

Where does the sun rise and set in your location? Do you need lighting around or to and from the grilling center?

Positioning the Grilling Center

Make sure to position the grill facing the wind. This will assist in venting hot air through the back of the grill.



Correct position

Assists in venting hot air through the back of the grill.

Incorrect position

Disrupts airflow and reduces performance.

Please refer to the Built-In Owner's Manual for a complete guide on safety and installation.

PLANNING

Using your space effectively.

Once you've determined the ideal spot for your built-in grill, decide on the size and type of grill that will be installed. The Broil King® Keg is an easy addition to any outdoor kitchen if you are looking for a Kamado-style charcoal grill. Consider any cabinet features you would like to incorporate more storage, refrigeration or dish- Consider how each appliance and cabinet will fit into the overall design, how much room to allow for each, and how they will 'flow' into each other. Having a sink and prep station nearby is good for effective food preparation and service. Also consider the seating required for guests while entertaining.

Think about grilling in all seasons.

Grilling while enjoying the sunshine is the best scenario, but having some shade to dine in can be a blessing in some locations. Incorporating a tall roof or pergola over your outdoor kitchen will allow you to enjoy cooking outdoors in all weather, and extend the seasonal opportunities of your space. If you live in a warm-climate, you may want to include an overhead fan to keep you cool on hot summer days and to keep mosquitoes at bay. If you plan on using your outdoor kitchen during the cold weather months, consider leaving space for heat lamps, a fireplace, or a roof with a built-in exhaust hood. See the Owner's Manual for exhaust installation.

The final touches.

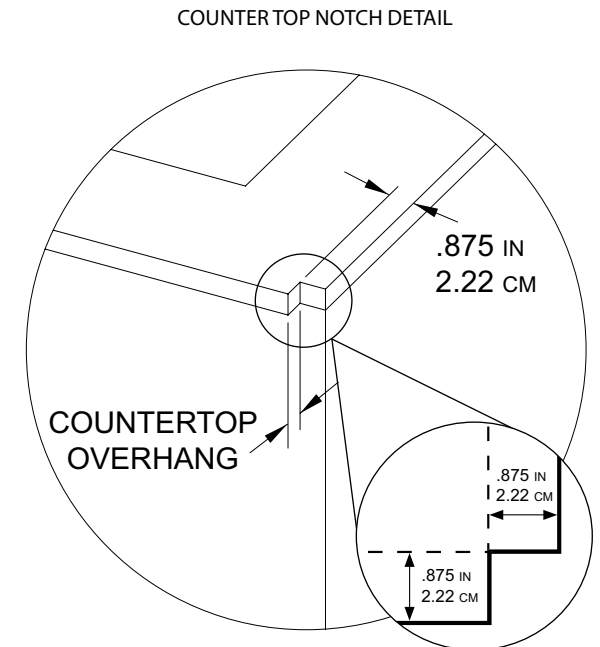
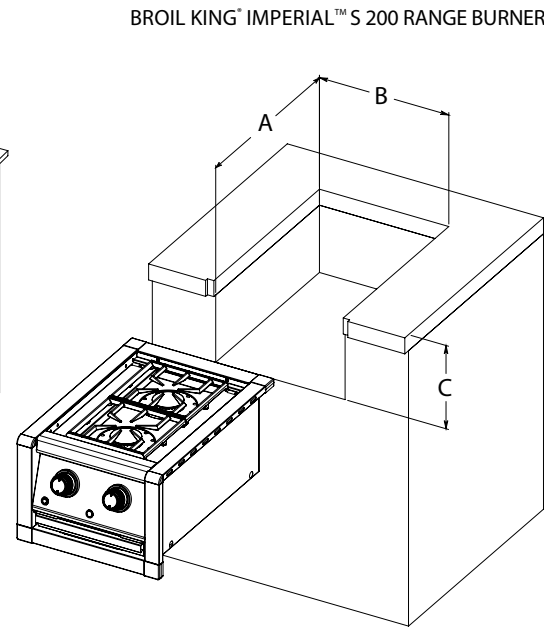
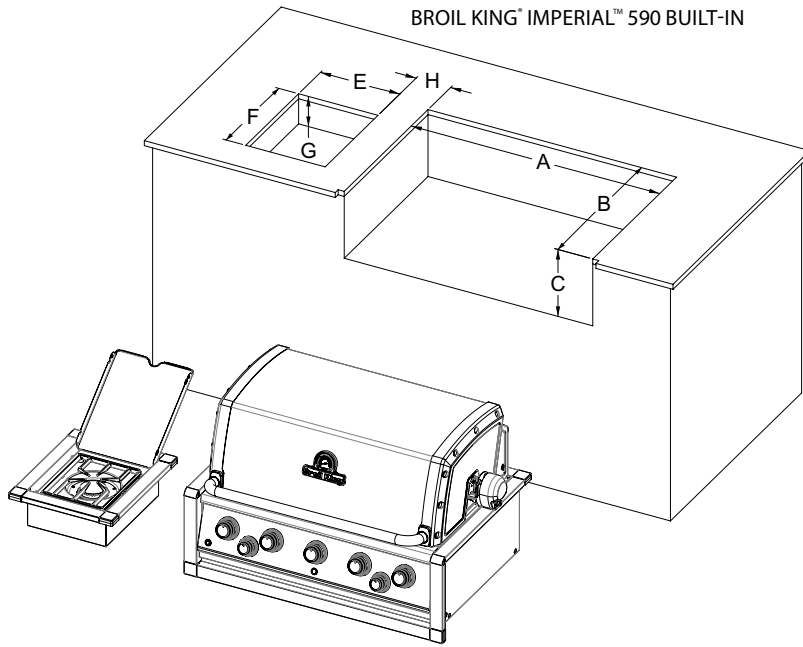
Your outdoor grilling center is designed for you and your guests to enjoy the outdoors while having the comforts of an indoor living space. Make sure to include features that will blend with the look and feel of your home. Adding chairs to your grilling center creates a focal point when entertaining. Decorative lighting enhances the experience at night along with propane heaters to keep your guests comfortable. Choose durable outdoor furniture with comfortable cushions. Select a table for your space for dining or as a buffet.

DIY or expert installation.

Consider what you are capable of by yourself. Simple installations involving propane fueled grills and minor landscaping might be attainable on your own. If your grilling center involves natural gas lines, electricity, water and major landscaping, it's best to hire professionals that know all of the necessary building codes and safety regulations.

BUILT-IN

Cut-Out Dimensions.



ISLAND CUT-OUT DIMENSIONS

	BROIL KING® IMPERIAL™ S 690/670	BROIL KING® IMPERIAL™ S 590/570 REGAL™ S 520	BROIL KING® IMPERIAL™ S 490/470	BROIL KING® REGAL™ S 420	IMPERIAL™ S 200 RANGE BURNER
A	MIN. 43.625 IN 110.80 CM MAX. 43.875 IN 111.44 CM	MIN. 36.25 IN 92.07 CM MAX. 36.50 IN 92.71 CM	MIN. 29.875 IN 75.88 CM MAX. 30.125 IN 76.51 CM	MIN. 29.875 IN 75.88 CM MAX. 30.125 IN 76.51 CM	MIN. 16.25 IN 41.2 CM MAX. 23.125 IN 59.0 CM
B		MIN. 23.125 IN 58.73 CM	MAX. 23.375 IN 59.37 CM		MIN. 10.9 IN 28.0 CM
C		MIN. 10.125 IN 25.71 CM	MAX. 10.375 IN 26.35 CM		
D		MIN. 31.50 IN 80.01 CM	MAX. 31.75 IN 80.64 CM		
E		MIN. 11.50 IN 29.21 CM	MAX. 11.75 IN 29.84 CM		
F		MIN. 14.50 IN 36.83 CM	MAX. 14.75 IN 37.46 CM		
G		MIN. 4.50 IN 11.43 CM			
H		MIN. 3 IN 7.62 CM	MAX. 7 IN 17.78 CM		
I		MIN. 34 IN 86.36 CM			
J					

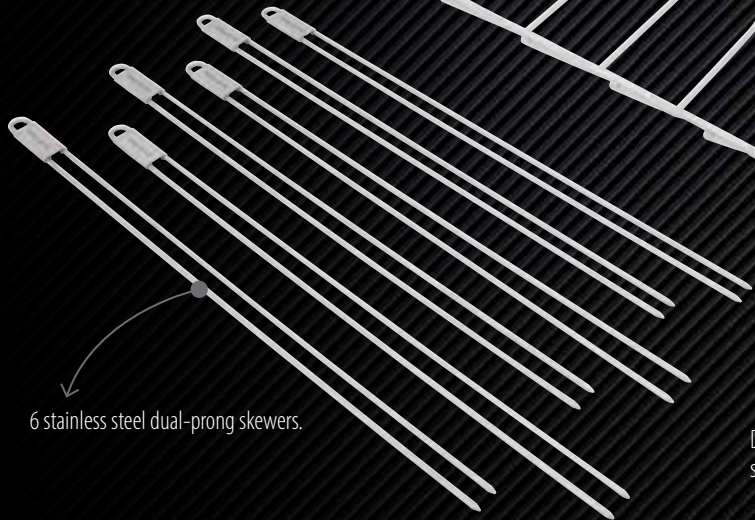
DO MORE THE ESSENTIALS

64233 | MULTI RACK AND SKEWER KIT

DIMENSIONS 15.3-in x 13.8-in x 3.7-in | 39 cm x 35 cm x 9.5 cm



Skewers can be braced on the rack for elevated cooking.



6 stainless steel dual-prong skewers.



Durable stainless steel construction.



Reversible Rack
One side is perfect for roasts and the other side has slots for ribs.



64049 | GRILLING SKEWERS

MATERIAL	3 mm stainless steel wire
DESIGN	Dual prong
DIMENSIONS	12-in 30.5 cm - set of four



62602 | RIB RACK AND ROAST SUPPORT

MATERIAL	Stainless steel, 10 mm and 5 mm
DESIGN	Accommodates 7 racks of ribs, holds roasts too
DIMENSIONS	15.2-in x 8.6-in x 4-in 38.5 cm x 21.8 cm x 10.2 cm



64003 | BARON™ GRILL TOOLS

CONSTRUCTION	Durable resin handles and stainless blades
DESIGN	Durable shafts, silicone basting brush
FEATURES	Turner, locking tong, basting brush and grill brush



60938 | DELUXE GRILL LIGHT AND TIMER

MATERIAL	Resin body, LCD display
DESIGN	COB light strips with integrated cooking timer
DIMENSIONS	10-in 25.4 cm



69814 | OVERSIZED GRILLING STONE

MATERIAL	Extra thick 3/4-in (1.9 cm) ceramic stone
DESIGN	Amazing heat retention, durable ceramic compound
DIMENSIONS	15-in 28 cm diameter



60974 | INSULATED MITT

MATERIAL	Heat resistant aramid exterior with silicone grip
DESIGN	Flexible, high heat resistant glove
DIMENSIONS	One size fits most, one mitt



61825 | INSTANT READ THERMOMETER

MATERIAL	Stainless probe, durable resin body, stainless fascia
DESIGN	Fast reading intervals with back lit screen
DIMENSIONS	8-in 20.32 cm



See more great
Broil King® accessories
broilkingbbq.com

EXPLORE MORE CLEANING ALTERNATIVES

65600 | COIL SPRING BRUSH



Each coil spring moves independently to efficiently remove food residue



Quick and easy click-in replacement brush head

High density resin handle with embossed Broil King® logo

Durable stainless steel shaft

PATENT PENDING



48 durable stainless steel coil springs for optimal cleaning

High density resin brush head



Patented design.



65643 | EXTRA WIDE NYLON GRILL BRUSH

MATERIAL	Stiff nylon bristles, resin handle
DESIGN	Cleans deep into the corners of the grill and between grids
DIMENSIONS	18.8-in x 8-in 47.8 cm x 20.3 cm



65335 | WOOD GRILL SCRAPER

CONSTRUCTION	Wooden body, stainless steel hanger
DESIGN	Wooden grill scraper with power grip
DIMENSIONS	18-in 45.7 cm



65228 | HEAVY-DUTY PALMYRA GRILL BRUSH

CONSTRUCTION	Wooden shaft, rubber grime guard
DESIGN	Extra long, palmyra leaf bristles
DIMENSIONS	20-in 50.8 cm



64038 | BARON™ PALMYRA GRILL BRUSH

CONSTRUCTION	1.2 mm stainless steel, durable resin handle
DESIGN	Durable palmyra leaf bristles, replaceable brush head
DIMENSIONS	17.6-in x 3-in 44.7 cm x 7.6 cm



64658 | BARON™ PALMYRA BRUSH HEADS (3-PACK)

CONSTRUCTION	Durable resin base with palmyra leaf bristles
DESIGN	3-Pack replaceable brush heads
DIMENSIONS	3.5-in x 2.25-in 8.9 cm x 5.7 cm



FRESH CLEANING ALTERNATIVES

These Broil King® cleaning solutions are a fresh way to revitalize your grill inside and out. Proper grill care is critical for great tasting food. A clean grill performs better, has fewer flare ups and doesn't come with any unwanted flavors.



Broil King®

2021 Built-In Collection



IMPERIAL® S 690i
897844 LP / 897847 NG



IMPERIAL® S 590i
896844 LP / 896847 NG



IMPERIAL® S 690 BUILT-IN
957084 LP / 957087 NG



IMPERIAL® S 590 BUILT-IN
958084 LP / 958087 NG



IMPERIAL® S 490 BUILT-IN
956084 LP / 956087 NG



IMPERIAL® S 670 BUILT-IN
957074 LP / 957077 NG



IMPERIAL® S 570 BUILT-IN
958074 LP / 958077 NG



IMPERIAL® S 470 BUILT-IN
956074 LP / 956077 NG



REGAL® S 520 BUILT-IN
886714 LP / 886717 NG



REGAL® S 420 BUILT-IN
885714 LP / 885717 NG



IMPERIAL® S 200 RANGE BURNER
802874 LP / 802877 NG



6 BURNER CABINET
807600



5 BURNER CABINET
806600



4 BURNER CABINET
805600



5 200 RANGE BURNER CABINET
802400



2 DOOR CABINET
804200



3 DRAWER CABINET
802500



TANK/SIDE BURNER CABINET
802700



1 DOOR/DRAWER CABINET
802300



WASTE ORGANIZER CABINET
802800



90° CORNER CABINET
803900



REAR PANEL 6 BURNER CABINET
807060



REAR PANEL 5 BURNER CABINET
806060



REAR PANEL 4 BURNER CABINET
805060



REAR PANEL 2 DOOR CABINET
804060



REAR PANEL SMALL CABINET
802060



REAR PANEL CORNER CABINET
803060



REAR PANEL 24-IN COMPACT FRIDGE
800040



REAR PANEL 22-IN COMPACT FRIDGE
800030



CABINET SIDE PANEL
FITS ALL CABINETS
800050



Broil King
Great Barbecues Every Time

991927