



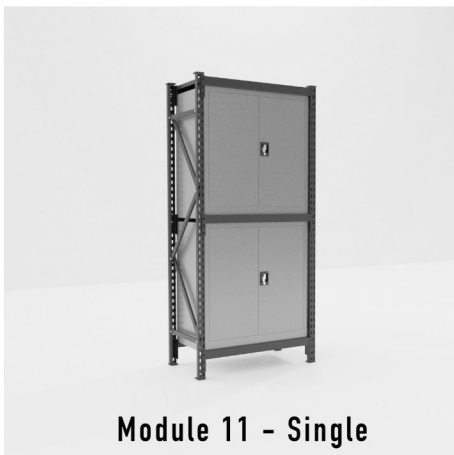
ASSEMBLY INSTRUCTIONS



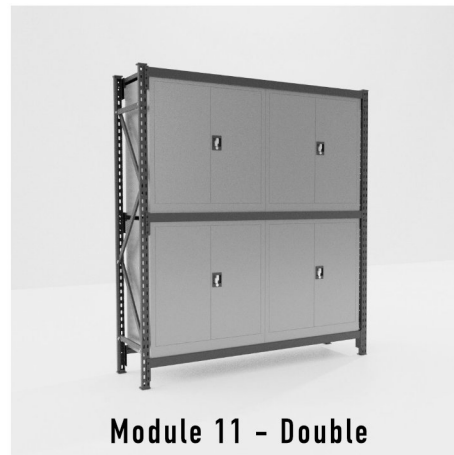
Module 3



Module 4



Module 11 - Single



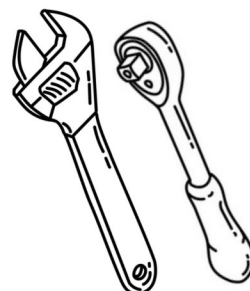
Module 11 - Double

CABINET MODULES

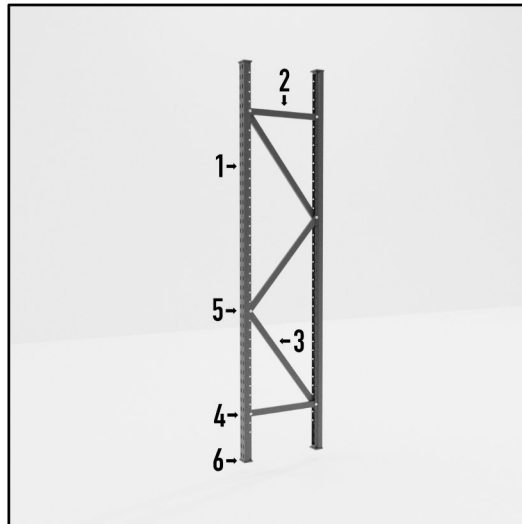
Modules 3, 4 & 11

USING A MODULE 4 AS AN EXAMPLE

YOU'LL NEED



ASSEMBLE THE END FRAMES

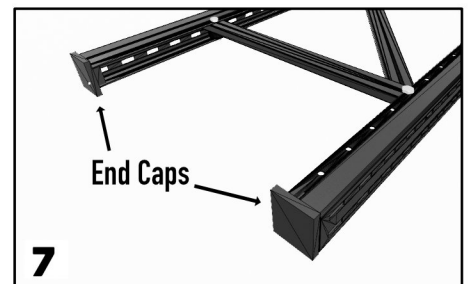
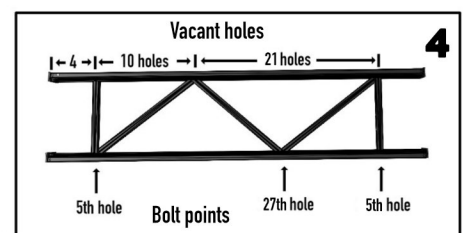
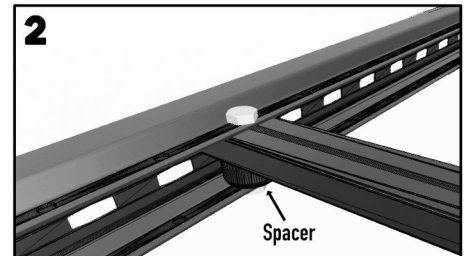


END FRAME

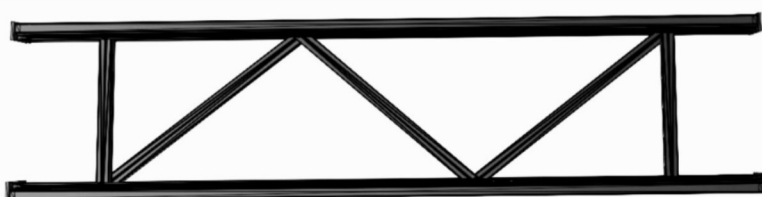
1. 2100MM UPRIGHT X 2
2. HORIZONTAL STAY X 2
3. DIAGONAL STAY X 3
4. SPACER X 2
5. NUT, BOLT & WASHER X 6
6. END CAP X 4

END FRAME

1. Lay the 2100mm Uprights parallel to one another on a flat surface.
2. Start by placing the Horizontal Stay inside the first 2100mm Upright lining it up with the 5th hole from the bottom of the Upright. Use a Spacer to fill the gap inside the end frame and fasten loosely with a bolt, washer and nut.
3. On the opposite 2100mm Upright, line up the other side of the Horizontal Stay inside the Upright at the 5th hole from the bottom overlapped with one Diagonal Stay and fasten loosely with a bolt washer and nut.
4. Leave a gap of 10 holes and inside the first Upright at the 11th hole push the bolt through the other end of the Diagonal Stay as well as another Diagonal Stay. Fasten loosely with a nut and washer.
5. On the second Upright leave a gap of 21 holes and fasten loosely the other end of the Diagonal Stay overlapped with a new Diagonal Stay with a bolt, washer and nut.
6. Return the end of this Diagonal Stay to the first Upright and leaving a gap of 21 holes secure it loosely with a Horizontal Stay with a bolt, washer and nut. There should be a distance 4 holes from the top i.e securing it in the 5th hole.
7. Tighten all of the nuts and bolts and place the End Caps in the top and bottom of both the 2100mm Uprights.



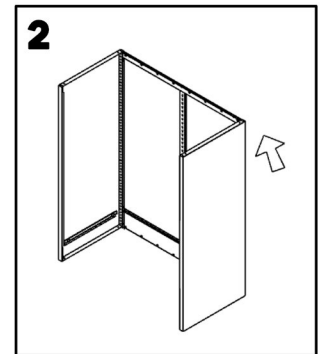
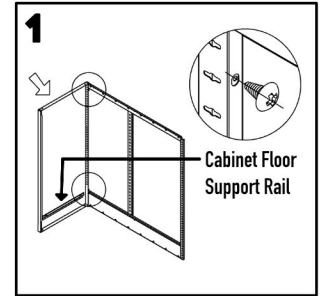
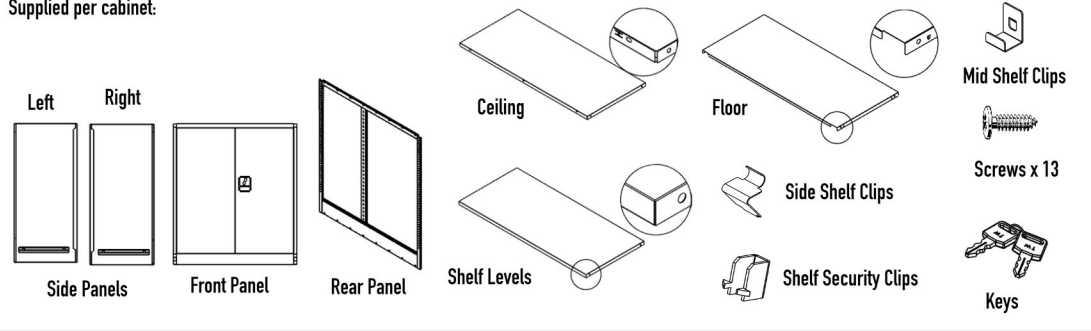
END FRAME



COMPLETE

ASSEMBLE THE CABINET

Supplied per cabinet:



1. Carefully stand the Rear Panel upright against a wall or surface. Slide the Left Panel into position as shown, making sure the the folded return hooks around the back of the Rear Panel and the screw holes line up. Be sure that the panels are oriented as pictured with the Cabinet Floor Support Rail of the Left Panel toward the ground. Secure the Left Side Panel to the Rear Panel internally with 3 screws.

2. Repeat this step again for the right panel, again making sure that the Cabinet Floor Support Rail is at the base of the cabinet and the screw holes line up. The cabinet should now stand without support.

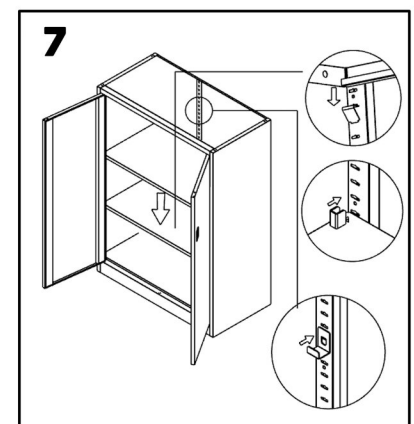
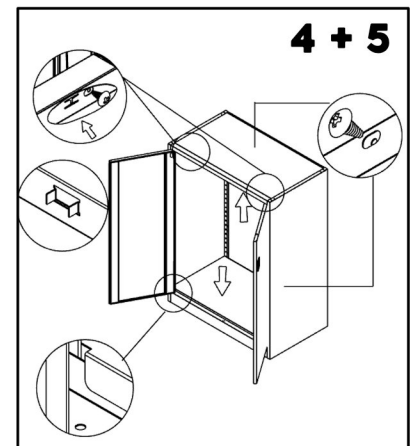
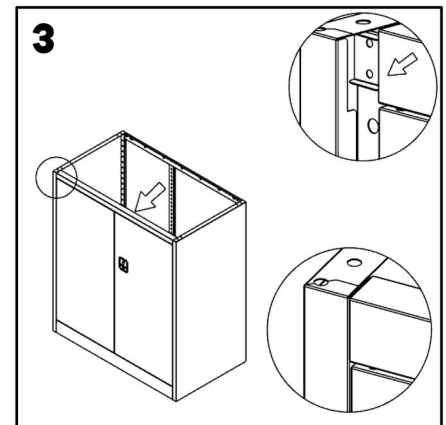
3. Place the Front Panel inside the two Side Panels and bring the Front Panel forward into the folded returns as shown. Make sure the Front Panel is seated forward at both the top and the bottom on both sides.

4. Using the key unlock the door of the Front Panel. The Ceiling Panel can be identified by the screw holes at the front and back and the H shaped cutouts. Angle the Ceiling Panel inside the cabinet structure with the returns facing downward and push it upward into the cabinet structure starting with the front edge. The ceiling panel will line up with holes on the front panel and rear panel – secure it with screws – 3 at the front and 3 at the rear.

5. The Floor Panel can be identified by having two cutouts on the front edge. Angle the Floor Panel inside the cabinet with the cutouts front facing. Clip the rear and sides into the Cabinet Floor Support Rails of the Side and Rear Panels. Make sure the sides and rear of the Floor Panel are seated inside the Cabinet Floor Support Rails before fitting it into the Front Panel as shown.

6. Angle the cabinet backwards so the underside is accessible and fix the Floor Panel into place with 1 screw. This goes through the Floor Panel into the Rear Panel in the hole provided.

7. At the desired shelf heights fit the Side Shelf Clips into the Front and Rear Panels as shown. At the same heights fit the Middle Shelf Clip into the centre of the Rear Panel as shown. Angle each shelf level into place on top of the clips – it's easiest to do one shelf level at a time from the bottom upward. Optional: secure each shelf level into place with the plastic Shelf Security Clips as shown.



CABINET COMPLETE

ASSEMBLE THE MODULE

NOTE: Be mindful when opening the packaging. The draws and cabinets have keys which are taped to unit and Horizontal Beams have Beam Pins. It is a good idea to unlock each drawer/cabinet as you go and place the relevant keys inside and the Beam Pins all in one accessible location.

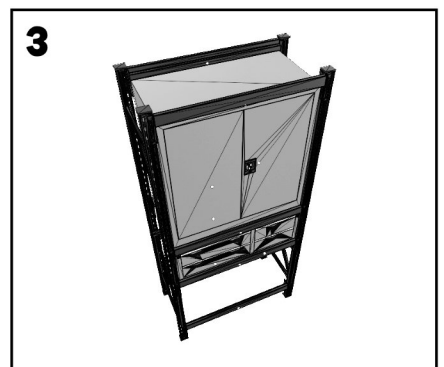
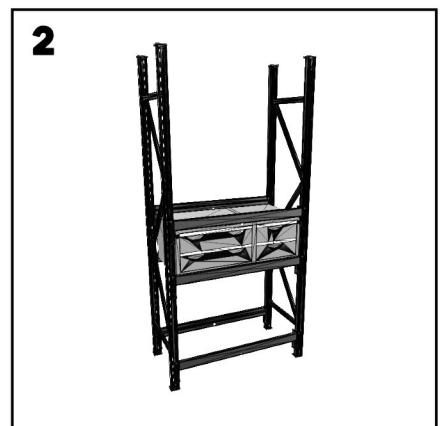
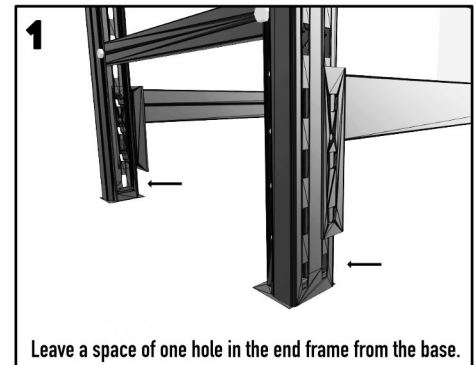
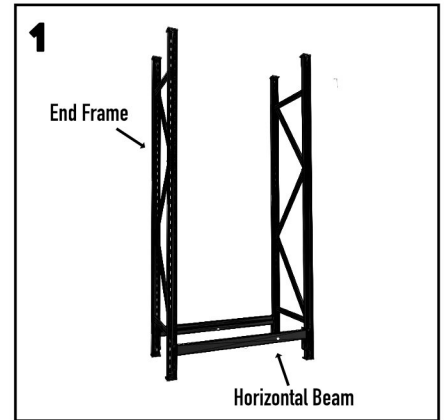
1. Fit the 1800 or 900 Beams into the End Frames, leaving a space of one hole from the base of the End Frames. Use the L shaped Beam Pins included in the beam packaging to secure each Beam to each End Frame. Note: these assembly instructions refer to a Module 4, refer to the image of your module on the website as a guide to placement of 1800 and 900 Beams and End Frames.
2. The height of the next level of Beams you will connect to the End Frames will depend on which module you are assembling.

For Module 4's leave a gap of 9 holes in the End Frames between the top of the bottom Beam Level and the bottom of the next Horizontal Beam and then carefully place the D4 Drawer within the recess of the second level of Horizontal Beams then mount another level of Horizontal Beams directly above the D4 Drawers (as pictured).

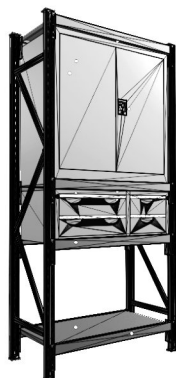
For Module 3's leave a gap of 16 holes between the top of the bottom Beam Level and the bottom of the Horizontal Beam level which will support the Cabinet 915. The shelf level in between can be placed at whichever height you desire.

For Module 11's simply place the Cabinet 915/s in the recess of the bottom Horizontal beam level and then place Horizontal Beams immediately above this cabinet to support the second level of Cabinets.

3. Carefully place the Cabinet 915's into the recess of the uppermost level of Horizontal Beams and mount the topmost Horizontal Beams immediately above this. They should now be in the topmost holes of the End Frames.
4. Place any Black Metal Shelves into the recesses of the remaining Horizontal Beams. For Module 3's there will be two below the Cabinet 915 and one above. For Module 4's there is one below the D4 Drawers and one above the Cabinet 915. For Module 11's the Black Metal Shelves go above the topmost level of Cabinet 915's.



MODULE COMPLETE



ENJOY YOUR NEW STORAGE SYSTEM!