



# ASSEMBLY INSTRUCTIONS

1000mm - Full Bay - Steel



1000mm - Full Bay - Particle



1000mm - Full Bay - Mesh



1000mm - Add On - Steel



1000mm - Add On - Particle



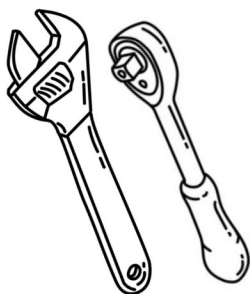
1000mm - Add On - Mesh



## LONGSPAN METAL SHELVING

1000mm High - Full Bay and Add On Bay  
USING 1000MM - FULL BAY AS AN EXAMPLE

### YOU'LL NEED



## ASSEMBLE THE END FRAMES

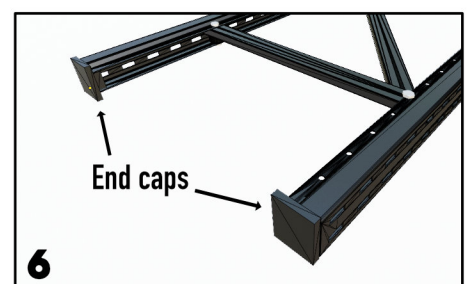
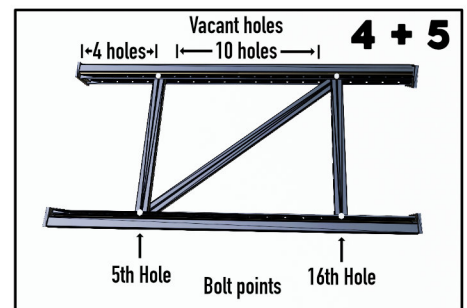
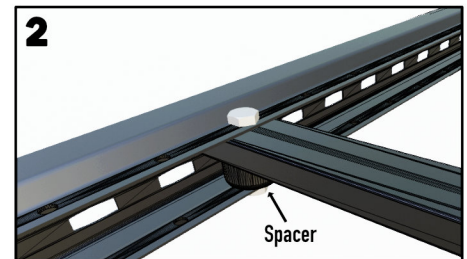


### 1000MM END FRAME

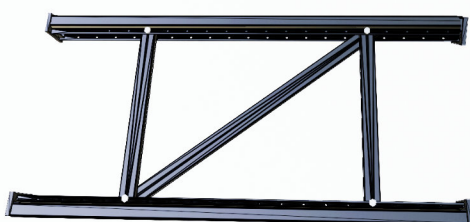
1. 1000MM UPRIGHT X 2
2. HORIZONTAL STAY X 2
3. DIAGONAL STAY X 1
4. SPACER X 2
5. NUT, BOLT & WASHER X 4
6. END CAP X 4

### 1000MM END FRAME

1. Lay the 1000mm Uprights parallel to one another on a flat surface.
2. Start by placing the Horizontal Stay inside a 1000mm Upright lining it up with the 5th hole from the bottom of the Upright. Use a Spacer to fill the gap inside the End Frame and fasten loosely with a bolt, washer and nut.
3. On the opposite 1000mm Upright, line up the other side of the Horizontal Stay inside the Upright at the 5th hole from the bottom overlapped with one Diagonal Stay and fasten loosely with a bolt, washer and nut.
4. Leave a gap of 10 holes and inside the first 1000mm Upright at the 11th hole insert the bolt through the other end of the Diagonal Stay as well as another Horizontal Stay. Fasten loosely with a nut and washer.
5. On the opposite 1000mm Upright leave a gap of 10 holes and fasten loosely the other end of the Horizontal Stay and a Spacer with a bolt, washer and nut.
6. Tighten all the nuts and bolts and place the End Caps in the top and bottom of the 1000mm Uprights.



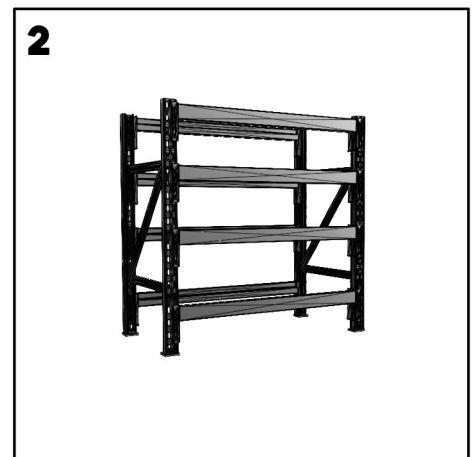
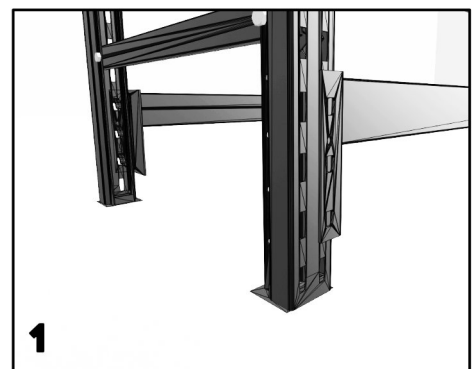
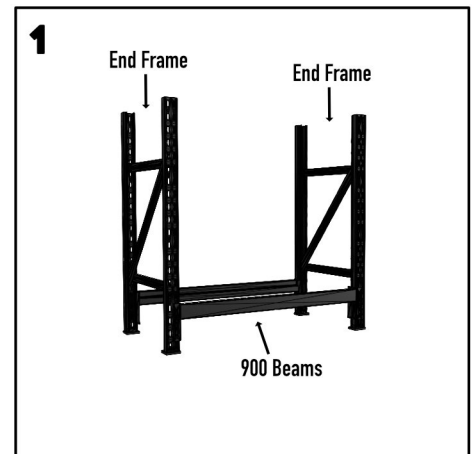
### 1000MM END FRAME



**COMPLETE**

## ASSEMBLE THE SHELVING

1. Start by fitting the two horizontal Beams lowest to the ground to an End Frame.  
If you are assembling a Full Bay - connect the other end of the Horizontal Beams to the other End Frame. If you are assembling an Add On Bay - connect the Horizontal Beams to the desired end of an existing Steelspan Module or shelving. Tap the beams down into place with a rubber mallet if required and secure in place with the Beam Pins provided.
2. Lock the remaining Horizontal Beams into the End Frames at the desired heights, ensuring the front and rear Beams are level. Secure into place with Beam Pins.
3. Fit the shelving panels into the recesses of the Horizontal Beams (shelf sizing may vary for Particleboard).
  - For 600mm width shelving use one 600mm shelf per level.
  - For 900mm width shelving use one 900mm shelf per level.
  - For 1200mm width shelving use two 600mm shelves per level.
  - For 1500mm width shelving use one 900mm shelf and one 600mm shelf per level.
  - For 1800mm width shelving use two 900mm shelves per level.
  - For 2100mm width shelving use two 600mm shelves and one 900mm shelf per level.



**ENJOY YOUR NEW STORAGE SYSTEM!**