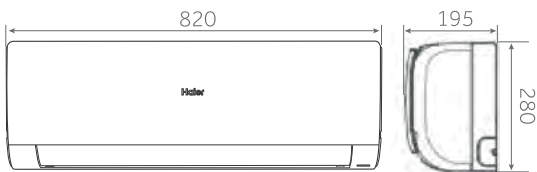
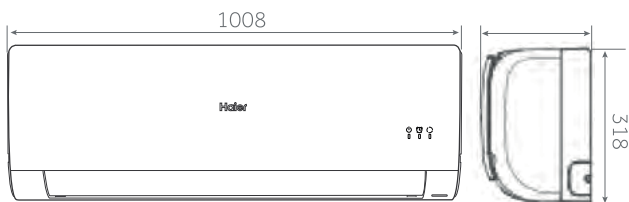




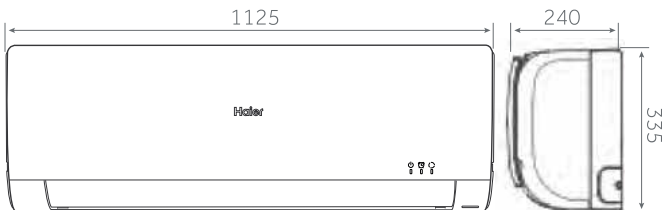
AS25THMHRA-C / AS35TAMHRA-C



AS50TDMHRA-C



AS68TEMHRA-C

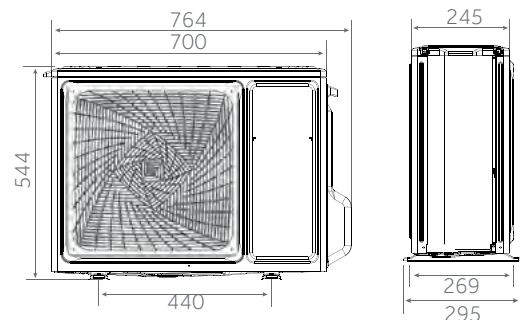


2.5 kW

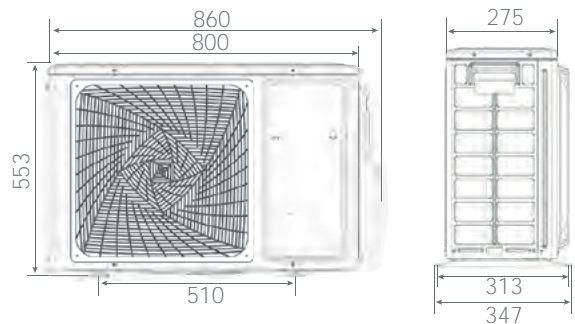
3.5 kW

5.0 kW

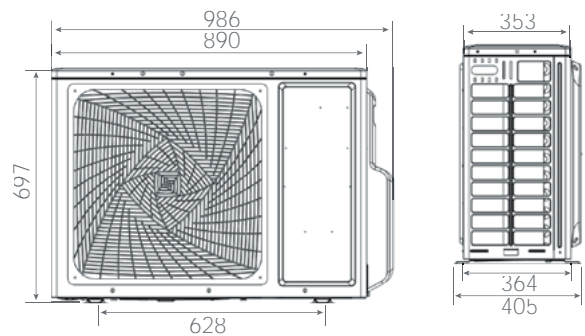
1U25YEFFRA-C / 1U35YEFFRA-C



1U50MEMFRA-C



1U68RENFRA-C



# NEW Residential MonoSplit TIDE PLUS

# Haier

MONOSPLIT RESIDENTIAL



2.6 kW

3.2 kW

5.0 kW

7.0 kW



Silence



Comfortable sleep



Self-Clean



Intelligent Air



Dry Function



Standard YR-HQ

- Low noise level
- Sleep mode
- Self-Clean
- Intelligent Air: Automatically directs deflectors for a better distribution of airflow

INDOOR UNIT	Model		AS25THMHRA-C	AS35TAMHRA-C	AS50TDMHRA-C	AS68TEMHRA-C
OUTDOOR UNIT	Model		1U25YEFFRA-C	1U35YEFFRA-C	1U50MEMFRA-C	1U68RENFRA-C
<b>Performance data</b>						
Output power - COOLING	nom (min-max)	kW	2.6(0.8-3.0)	3.2(0.8-3.6)	5.0(1.3-5.8)	7.0(2.2-8.5)
Output power - HEATING	nom (min-max)	kW	2.8(0.8-3.2)	3.4(0.8-4.2)	5.2(1.4-6.0)	8.1(2.4-10.0)
Absorbed power - COOLING	nom (min-max)	kW	0.80(0.30-1.20)	1.06(0.03-1.60)	1.46(0.40-2.00)	2.16(0.70-2.90)
Absorbed power - HEATING	nom (min-max)	kW	0.75(0.30-1.40)	1.0(0.3-1.6)	1.40(0.52-2.5)	2.18(0.70-2.90)
Energy class	EER	w/w	3.23	3.01	3.41	3.23
	COP	w/w	3.71	3.40	3.71	3.71
Energy class	SEER		6.1 (A++)	6.1 (A++)	6.1 (A++)	7.1 (A++)
	SCOP		4.0 (A+)	4.0 (A+)	4.0 (A+)	4.0 (A+)
Annual Energy Consumption - COOLING		kWh/a	149	184	287	350
Annual Energy Consumption - HEATING		kWh/a	840	980	1610	1963
<b>Indoor Unit</b>						
Power supply		Ph/V/Hz	1/230/50	1/230/50	1/230/50	1/230/50
Dehumidification		10 <sup>-3</sup> m <sup>3</sup> /h	1.0	1.4	2.0	2.8
High sound power - COOLING		dB	54	56	57	60
High sound power - HEATING		dB	54	56	57	60
Sound pressure - COOLING		dB(A)	37/33/29/19	38/34/29/20	44/40/35/28	47/43/37/30
Sound pressure - HEATING		dB(A)	37/33/29/19	38/34/29/20	44/40/35/28	47/43/37/30
Net dimensions	WxDxH	Mm	820/195/280	820/195/280	1008/225/318	1125/240/335
Net weight		Kg	8.2/10.5	8.2/10.5	11.6/14.4	14/17.5
<b>Outdoor Unit</b>						
Power supply		Ph/V/Hz	1/230/50	1/230/50	1/230/50	1/230/50
Sound power	H	dB	54	56	57	60
Sound pressure	H	dB(A)	37/33/29/19	38/34/29/20	44/40/35/28	47/43/37/30
Running Current	Cooling	Max A	5.4	7.1	8.9	13
	Heating	Max A	6.2	7.1	11.3	13
Starting Current	Cooling/Heating	A	1.4 / 1.4	1.4 / 1.4	1.0 / 1.0	3.0 / 3.0
Cable		N x mm <sup>2</sup>	3 x 1.0	3 x 1.5	3 x 1.5	3 x 2.5
Interconnecting cable		N x mm <sup>2</sup>	4 x 1.0	4 x 1.0	4 x 1.0	4 x 1.0
Net dimensions	WxDxH	Mm	700/245/544	700/245/544	800/275/553	890/353/697
Net weight		Kg	22.8/25.3	23.5/26.0	32.7/36.5	47.3/52.3
Compressor type					Inverter rotary	
Compressor brand					Highly	
<b>Installation data</b>						
Refrigerant			R32	R32	R32	R32
Liquid pipe	Ø	Inch	1/4	1/4	1/4	1/4
Gas pipe	Ø	Inch	3/8	3/8	1/2	1/2
Standard pipe length without refrigerant charge		M	5	5	7	7
Maximum pipe length		M	20	20	25	25
Maximum IU - OU elevation		M	10	10	15	15
Refrigerant charge in the factory		Kg	5	5	7	7
CO2 equivalent		tCO <sub>2</sub> EQ	0.34	0.36	0.61	0.81
Additional charge ref. over std length		g/m	20	20	20	20
Operating limits - COOLING	min-max	°C				
Operating limits - HEATING	min-max	°C				
List Price	<b>Indoor Unit</b>		£175.00	£185.00	£285.00	£395.00
	<b>Outdoor Unit</b>		£440.00	£485.00	£795.00	£1060.00
	<b>System Price</b>		£615.00	£670.00	£1080.00	£1455.00