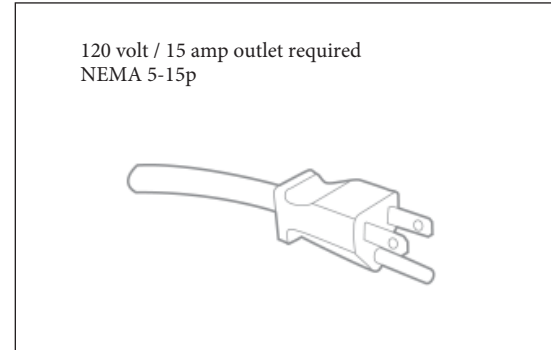
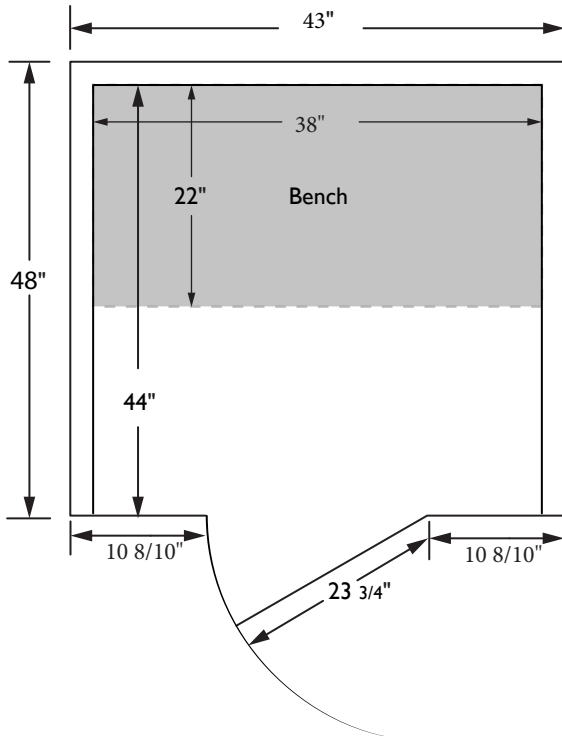
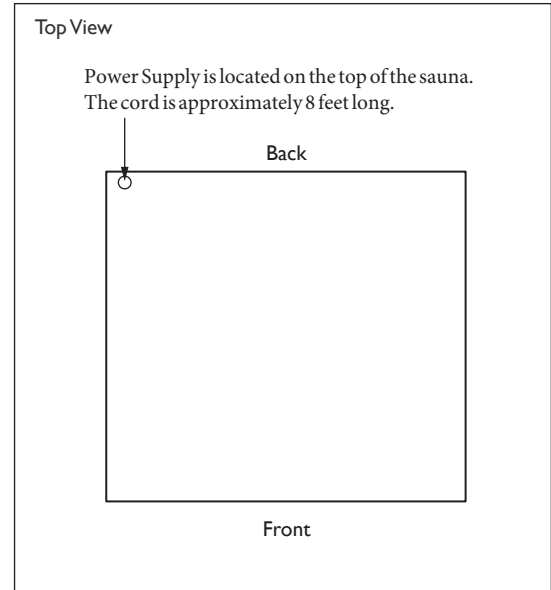
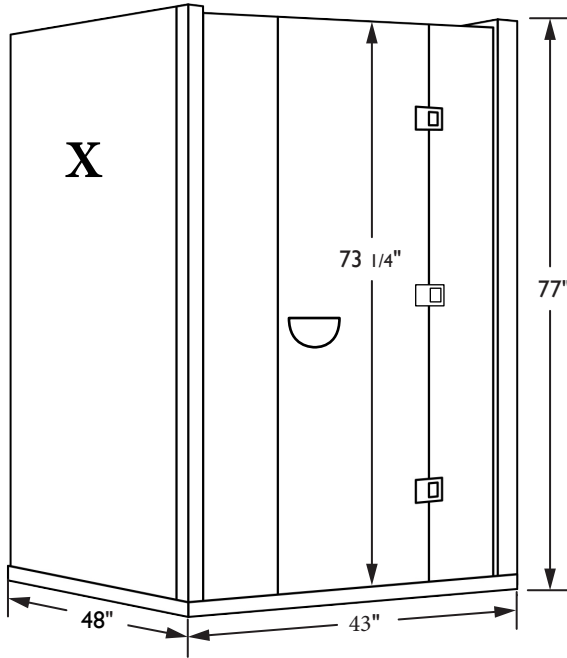


Please allow 24 inches on the left side for the Halogenerator



## SPECIFICATIONS

### Construction

Composite exterior with a Basswood interior  
Tongue & Groove Construction  
Weight: 425 lbs

### Exterior

Width: 43"  
Depth: 48"  
Height: 77"  
Door: 10 3/4"(x2) x 73 1/4"  
Total Opening 21 1/2"

### Interior

Width: 38"  
Depth: 45"  
Height: 74"  
Bench: 38" x 22"  
Bench Height: 20"

### Heaters

Far infrared Carbon heaters  
Power: 120V / 15A

### 5-year Warranty

Cabinetry & Glass  
Electrical  
Heaters  
Controls

### Lifetime Warranty

Halogenerator