

## Flow Indicator WO1-...GM / K



- No moving parts internally
- Internal wiper provides ability to clean the glass without removing the device.
- Installation location as desired
- For heavily soiled or coloured fluids
- 360 ° visibility

### Characteristics

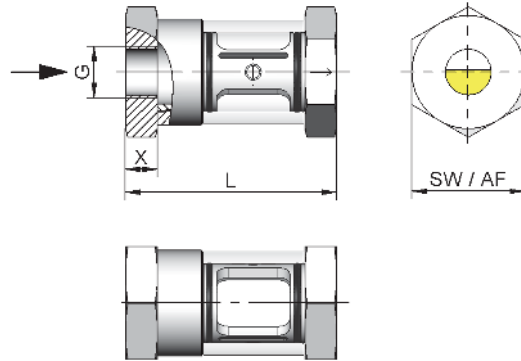
Devices made from solid brass or stainless steel, where the medium can be visually examined through the sight glass (fluid level, colour, bubbles, ...). A wiper makes it possible to clean the sight glass.

### Technical data

<b>Nominal width</b>	DN 8..40	
<b>Process connection</b>	female thread G 1/4..G 1 1/2	
<b>Q<sub>max.</sub></b>	G 1/4 - 15 l/min	
	G 3/8 - 20 l/min	
	G 1/2 - 30 l/min	
	G 3/4 - 60 l/min	
	G 1 - 90 l/min	
	G 1 1/4 - 150 l/min	
	G 1 1/2 - 220 l/min	
<b>Pressure resistance</b>	PN 16 bar	
<b>Medium temperature</b>	-20..+100 °C	
<b>Ambient temperature</b>	-20..+70 °C	
<b>Materials medium-contact</b>	<i>Brass construction:</i> CW614N nickelled, borosilicate glass, NBR	<i>Stainless steel construction:</i> 1.4305, borosilicate glass, FKM
<b>Medium</b>	water, oils	
<b>Weight</b>	see table "Dimensions and weights"	
<b>Installation location</b>	as desired	

### Dimensions and weights

G	Types	L	SW	X	Weight kg
G 1/4	WO1-008G.	71	36	9	0.3
G 3/8	WO1-010G.				
G 1/2	WO1-015G.	86	46	13	0.6
G 3/4	WO1-020G.			16	
G 1	WO1-025G.			104	
G 1 1/4	WO1-032G.	120	65	19	1.5
G 1 1/2	WO1-040G.	130		20	1.6



### Ordering code

WO1 -  1.  2.  3.  
**G**

<b>1. Nominal width</b>	
008	DN 8 - G 1/4
010	DN 10 - G 3/8
015	DN 15 - G 1/2
020	DN 20 - G 3/4
025	DN 25 - G 1
032	DN 32 - G 1 1/4
040	DN 40 - G 1 1/2
<b>2. Process connection</b>	
G	female thread
<b>3. Connection material</b>	
M	brass
K	stainless steel

### Options

- Wiper seal made from EPDM