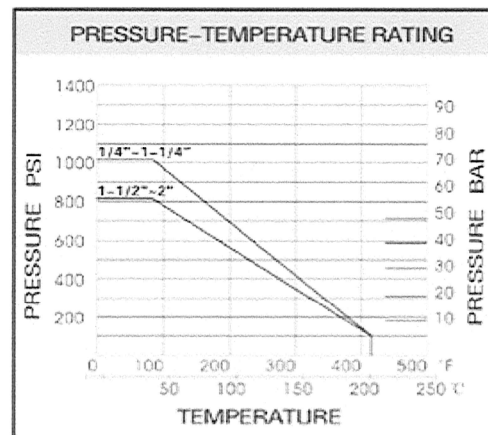
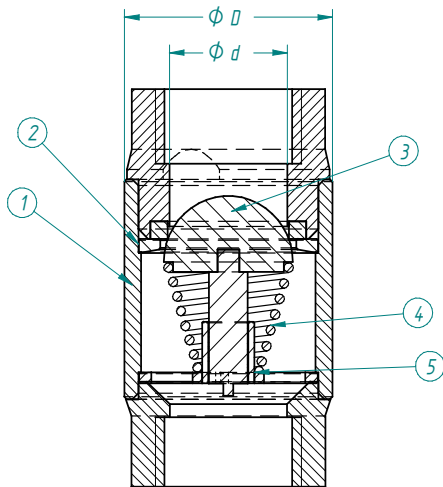




CT-473:

- Cylindrical thread GAS DIN 228.(optional NPT)
- Valve manufacture AISI – 304 / 316.
- PN – 63 (1000 PSI).
- Working temperature (°C): VITON: -25 / 150°.
- Standard manufacturing with **VITON (FPM)** seal.
- The valve is designed to avoid accumulation of impurities on the sealing and obtain optimum tightness according fluid conditions non dangerous even painting and dairy process. Seal is semi spherical reduces previous above indicated.
- Machined to allow tighten on easy installations.



DIMENSIONS:

Size	D	d	L	(Kgs)
1/2"	25,5	14,5	43	0,090
3/4"	33,5	19	59	0,176
1"	42	24	70	0,327
1-1/4"	59,5	32	73	0,649
1-1/2"	59,5	39,5	73	0,613
2"	72,5	48	87	1,023

MATERIALS:

Nº	Description	Material-AISI	Quantity
1	Body	304 / 316	1
2	Washer	304 / 316	1
3	Semi ball	304 / 316	1
4	Spring	302	1
5	Guia	316	1

Nom-binding information sheet and may be modified without notice.