

Flow Meter UK-020



- Frontal scale imprint
- Optionally valve
- Installation plate

Characteristics

A float moves in a transparent conical measurement tube, relative to the flow. The position of the float depends on the volume flow (weight force versus resistance to flow), and indicates the flow rate on the scaled measurement tube.

Technical data

| | | |
|-------------------------------------|---|--|
| Switch | without | |
| Nominal width | DN 4 | |
| Process connection | female thread 1/8" NPT | |
| Metering range | 0.005..25 l/min | for details see table "Ranges" |
| Q_{max.} | to 30 l/min | |
| Tolerance | ±5 % of full scale value | |
| Pressure resistance | PN 6 bar | |
| Medium temperature | -20..+65 °C | |
| Ambient temperature | -20..+65 °C | |
| Media | water, gases | |
| Electrical data | none | |
| Materials medium-contact | <i>Brass construction:</i> acrylic, glass, 1.4305, 1.4310, CW614N, NBR | <i>Stainless steel construction:</i> acrylic, glass, 1.4305, 1.4310, FKM |
| Non-medium-contact materials | acrylic, CW614N, PS valve: ABS, CW614N | |
| Weight | 0.13 kg | |
| Installation location | vertical inwards flow from below | |

Ranges

Medium water

The details in the table correspond to a vertical inwards flow from below.

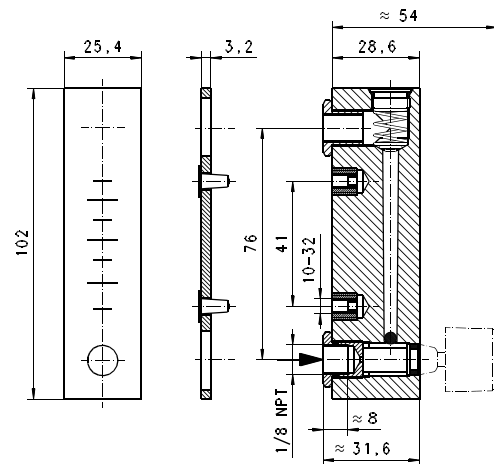
| Metering range | Q _{max.} recommended | Type |
|---------------------------------|-------------------------------|----------------|
| 5.0 - 50 cm ³ /min | 6 l/min | UK.-020G.W0050 |
| 10.0 - 100 cm ³ /min | | UK.-020G.W0100 |
| 20.0 - 240 cm ³ /min | | UK.-020G.W0240 |
| 0.2 - 3 l/h | | UK.-020G.W0003 |
| 0.5 - 6 l/h | | UK.-020G.W0006 |
| 1.0 - 15 l/h | | UK.-020G.W0015 |
| 4.0 - 40 l/h | | UK.-020G.W0040 |
| 10.0 - 80 l/h | | UK.-020G.W0080 |

Medium air

The details in the table correspond to a vertical inwards flow from below, with the medium at a temperature of 0 °C and a pre-pressure of 1.013 bar.

| Metering range | Q _{max.} recommended | Type |
|--------------------|-------------------------------|----------------|
| 0.04 - 0.5 NI/min | 0.7 NI/min | UK.-020G.L0000 |
| 0.10 - 1.0 NI/min | 1.2 NI/min | UK.-020G.L0001 |
| 0.40 - 5.0 NI/min | 6.0 NI/min | UK.-020G.L0005 |
| 2.50 - 25.0 NI/min | 30.0 NI/min | UK.-020G.L0025 |

Dimensions



Handling and operation

- Include straight calming section of 5 x DN in inlet and outlet
- If the media are dirty, install a filter

Ordering code

UK 1. 2. 3. 4. 5.

| | |
|--|---------------------------------|
| 1. Valve | |
| - | without valve |
| V- | with valve |
| 2. Series | |
| 020 | 020, 1/8" NPT |
| 3. Process connection | |
| G | female thread |
| 4. Connection material | |
| M | brass |
| K | stainless steel |
| 5. Display range H₂O for vertical inwards flow | |
| W0050 | 5.0 - 50 cm ³ /min |
| W0100 | 10.0 - 100 cm ³ /min |
| W0240 | 20.0 - 240 cm ³ /min |
| W0003 | 0.2 - 3 l/h |
| W0006 | 0.5 - 6 l/h |
| W0015 | 1.0 - 15 l/h |
| W0040 | 4.0 - 40 l/h |
| W0080 | 10.0 - 80 l/h |
| Display range air (0 °C 1.013 bar abs.) for vertical inwards flow | |
| L0000 | 0.04 - 0.5 NI/min |
| L0001 | 0.10 - 1.0 NI/min |
| L0005 | 0.40 - 5.0 NI/min |
| L0025 | 2.50 - 25.0 NI/min |

Options

- Metering ranges and special scales under defined operating pressures / temperatures
- Seal made of FKM only for brass construction)

Ordering information

- Specify direction of flow, medium, and display range.
- For gases, state pressure (relative or absolute), temperature and medium (e.g. air) (request display range)