

Temperature-Guard TG 50

Pt100/Pt1000 - Thermocouple J, K, N, S

Features

- Input
Pt100, Pt1000 and Thermocouples J, K, N, S
- Measuring range programmable
- Basic accuracy 0.1 % +/- 1 Digit
- Simulator function
- Fault monitoring for break of wire and short-circuit in the measuring circuit
- Programmable fault function
Analog output min. or max. overflow
Alarm outputs min. or max. function
- 4 alarm outputs, relay SPDT
- Isolated analog output 0/4 ... 20 mA; 0/2 ... 10 V DC
- Full 3-port isolation



General

The Temperature-Guard TG50 has inputs for temperature probes RTD (Pt100/Pt1000) and thermocouple J, K, N and S. Simple programming, up to 4 alarm outputs (SPDT) and optional available fully isolated free programmable analog output 0/4 ... 20 mA; 0/2 ... 10 V DC offers a lot of solutions for temperature monitoring. Peak value indication for minimum and maximum measured temperature are stored in the background and can be read out from the display at any time.

Short information

Programming	The device is programmed by frontal buttons, in connection with the LCD display.
Inputs	RTD (Pt100/Pt1000), 3-wire connection or thermocouple type J, K, N or S.
Alarm outputs	The alarm outputs can be programmed as max. or min. function. Switch-on delay and switch-off delay time is programmable from 1 s up to 9 h. The switching status is displayed through LED's.
Fault function	A fault in the measuring circuit could be monitored (break of wire/short-circuit). The switching function of the analog and alarm output(s) is programmable in case of a fault.

Technical data

Power supply

Supply voltage : 230 V AC $\pm 10\%$, 115 V AC $\pm 10\%$, or 24 V DC $\pm 15\%$
 Power consumption : < 5 VA
 Operating temperature : -10 ... 55 °C (14 ... 131 °F)
 Rated voltage : 250 VAC acc. to EN 60664-1:2007 between
 input/relay output/analog output/supply voltage

Test voltage : 4 kV DC between input/relay output/analog output/supply voltage

CE-conformity

Standardize EN 61326-1:2013			Result
IEC 61000-4-2 (ESD) IEC 61000-4-3 (E-field) IEC 61000-4-8 (Magnetic field)	Case	4 kV/8 kV contact/air 10 V/m 30 A/m	B A dispensed with
IEC 61000-4-11(Voltage dip) IEC 61000-4-4 (Burst) IEC 61000-4-5 (Surge) IEC 61000-4-6 (HF current feed)	AC power supply connection	0.5 period, $\pm 100\%$ 2 kV 1 kV L/N, 2 kV L,N/PE 3 V	A A A A
IEC 61000-4-4 (Burst) IEC 61000-4-5 (Surge) IEC 61000-4-6 (HF current feed)	DC power supply connection	2 kV 1 kV L/N, 2 kV L,N/PE 3 V	A A A
IEC 61000-4-4 (Burst) IEC 61000-4-5 (Surge) IEC 61000-4-6 (HF current feed)	Input/output, signal/control	1 kV 1 kV L/N/PE 3 V	A B A
CISPR11	Radiated interference		Passed

Inputs

Fault detection : Break of wire (RTD, Thermocouple) and short-circuit (only RTD)

Input : Pt100 (3-wire) -100.0 ... 600.0 °C / -100 ... 600 °C
 Pt1000 (3-wire) -100.0 ... 300.0 °C / -100 ... 300 °C
 : Thermo couple (TC)
 Type J -100.0 ... 800.0 °C / -100 ... 800 °C
 Type K -150 ... 1200 °C
 Type N -150 ... 1200 °C
 Type S -50 ... 1600 °C
 cold junction compensation integrated

Basic accuracy : <0.1 %, ± 1 Digit

Temperature coefficient : 0.01 %/K

Outputs

Alarm outputs A1-A4 : Relay SPDT < 250 V AC < 250 VA < 2 A $\cos\phi \geq 0.3$, < 300 V DC < 40 W < 2 A

Analog output : 0/4 ... 20 mA burden $\leq 500 \Omega$; 0/2 ... 10 V burden $> 500 \Omega$, galv. isolated, output changes automatically (burden impedance dependent)

Accuracy : 0.2 %; TK 0.01 %/K

Fault function : For break of wire or short-circuit detection -belongs to the model-

→ Analog output 0 mA, < 3.6 mA or > 21.5 mA programmable

→ Alarm output(s) min. or max. function programmable

Display

: Graphic LCD-Display 128x64 pixel, white background illuminated

Case

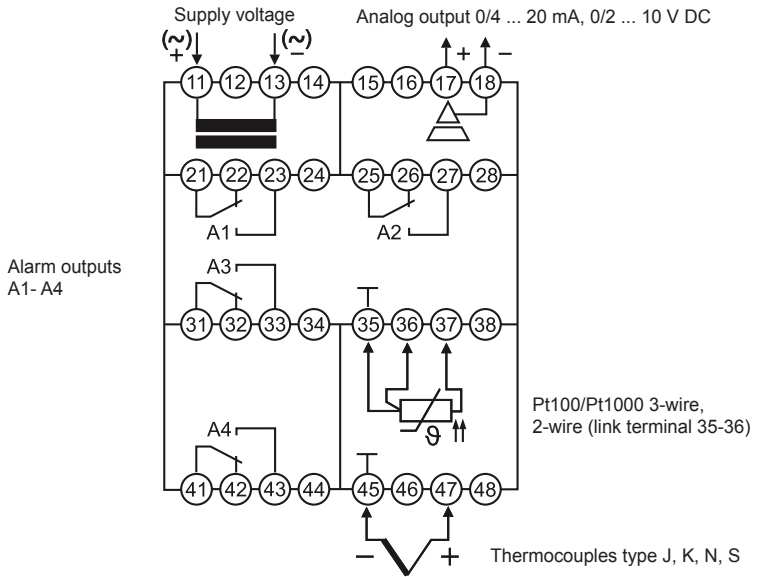
: Polyamide (PA) 6.6, UL94V-0, DIN rail mounting TS 35

Weight : approx. 450 g

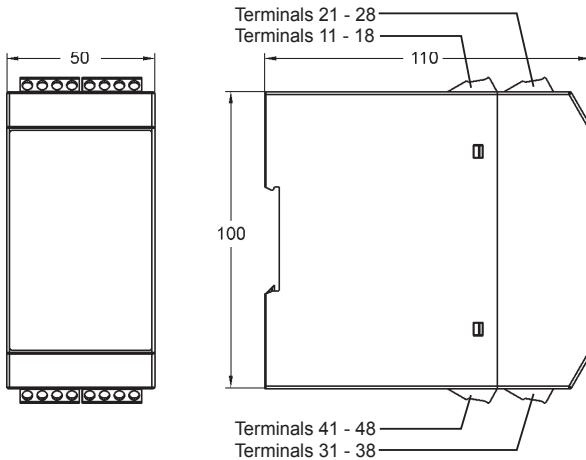
Connection : Screw terminals 0.14 ... 2.5 mm² (AWG 26 .. 14)

Protection : Case IP30, terminals IP20, German BGV A3

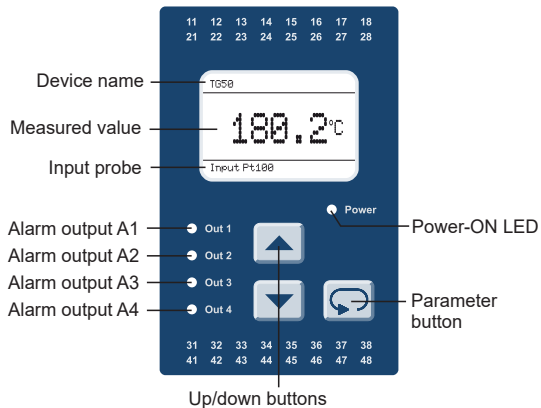
Connection diagram



Dimensions



Controls and indicators



Description

The operation of the device is implemented in 2 levels. The required parameter is called up with the button . The selection within a parameter and the setting-adjustment of a value is implemented with the buttons and .

Button combinations (press buttons simultaneously):

- + 1 parameter back
- + Parameter is set to "0" or minimum value.

After the switching on the supply voltage, the device initializes itself. In the display the message indicating device type and software version is shown. After the initialization, the device is running in the working level. The peak value storage is called up and the setpoints of the alarm outputs can be programmed.

The configuration level is called up by activation of the button for 2 seconds. In this case, all parameters which determine the properties of the device are programmed. After the last menu item, or if no button is pressed for longer than 2 minutes, a skip-back into the working level is implemented automatically and the current measured value is indicated in the display. The configuration level can be exited at any time by holding down button for 2 seconds.

Error reports

In case of occurring faults, the messages are shown on the display in plain text. This simplifies location of the error. See explanation page 10.

Operational startup reference!

The device is preset with an ex-works default setting. Therefore it must be adapted to each special application. See Page 6.

Note on the representation

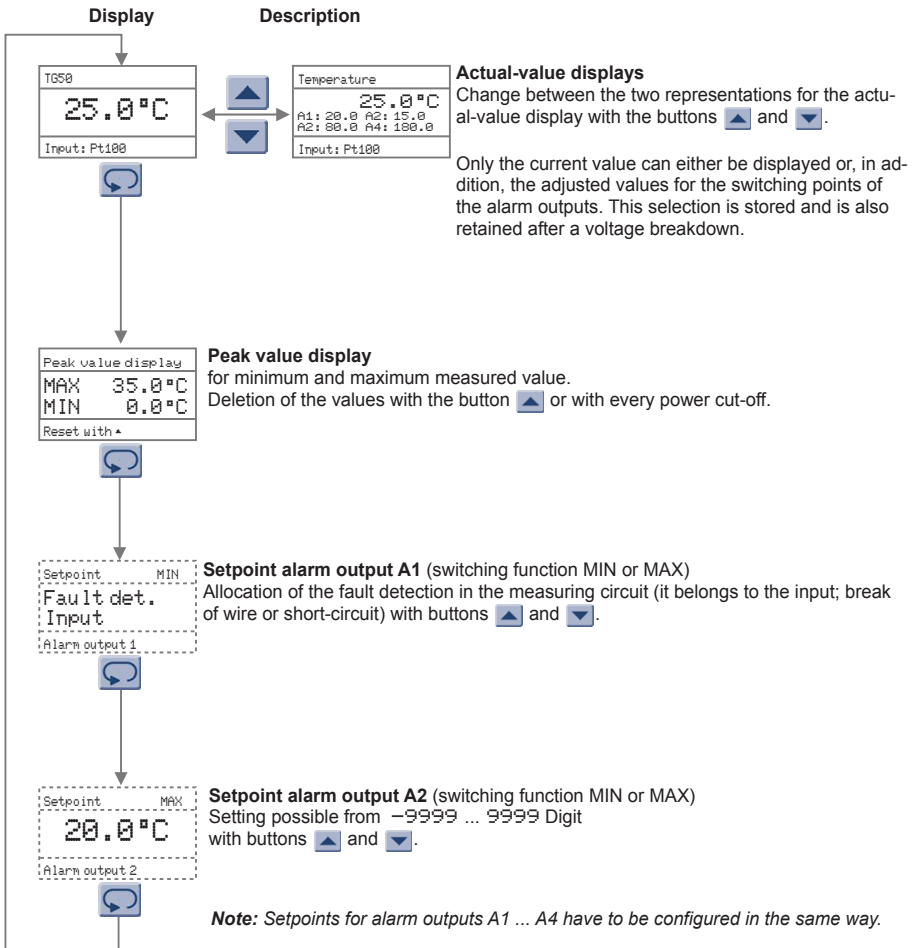


Parameter appears only with corresponding configuration

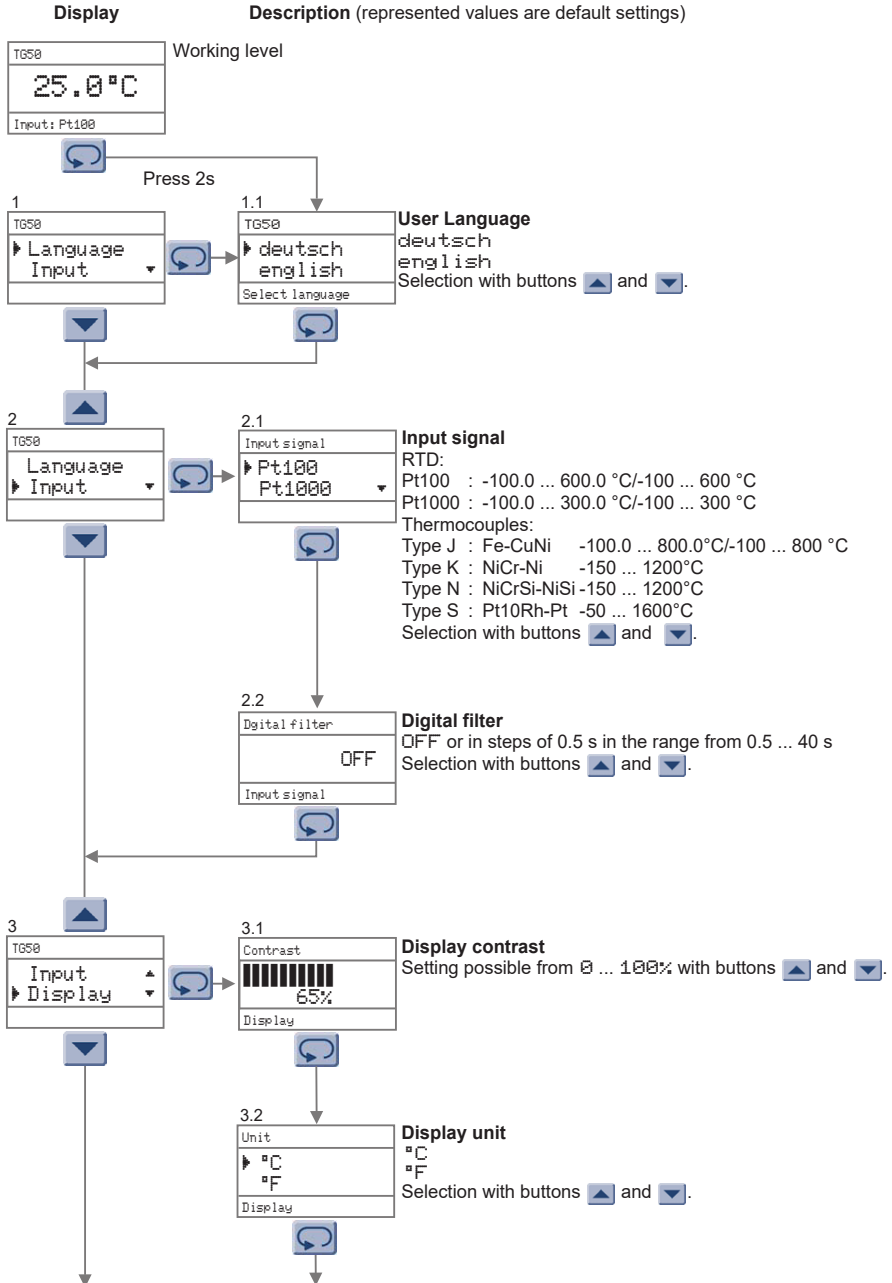


Parameter appears only with corresponding equipment version

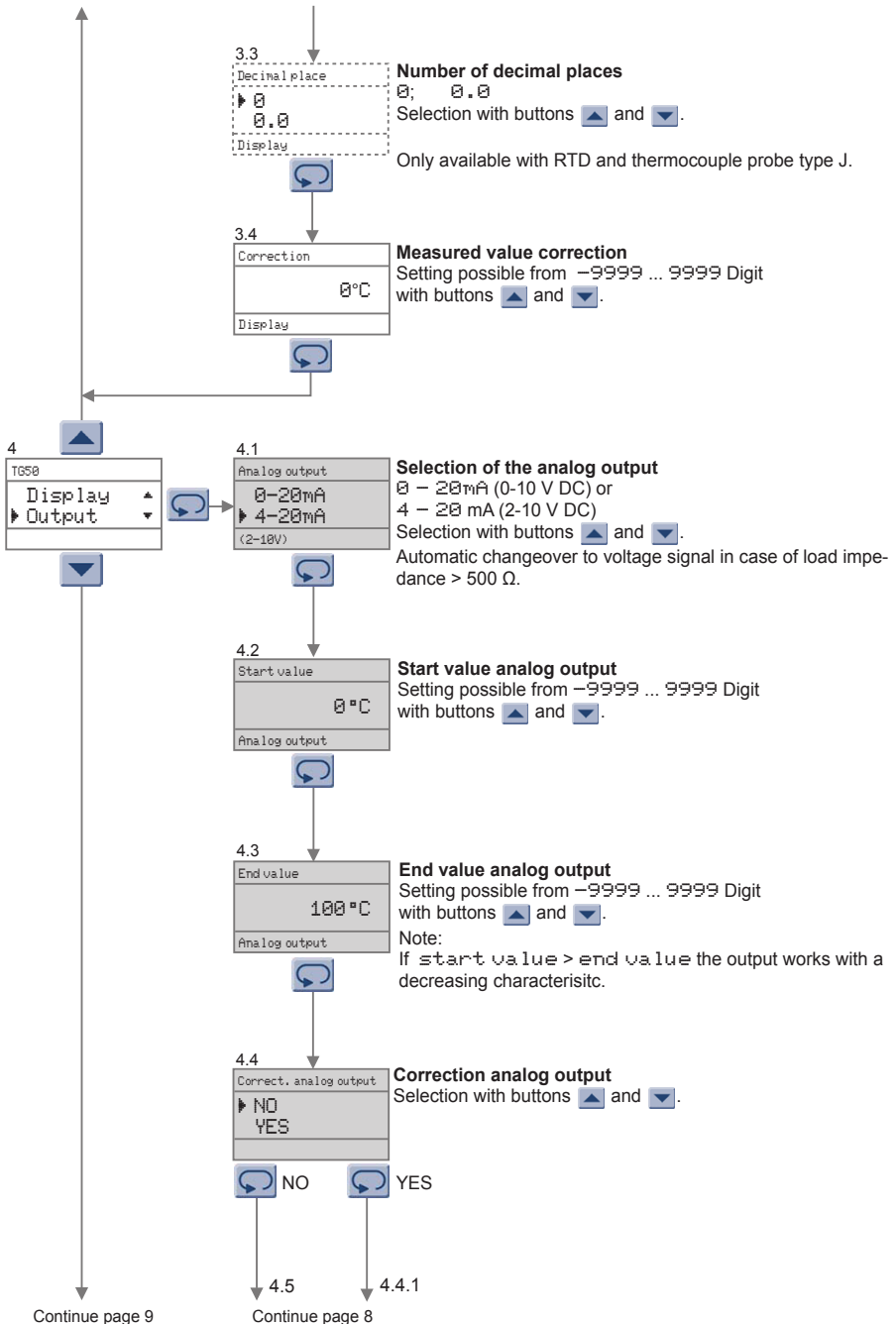
Working level

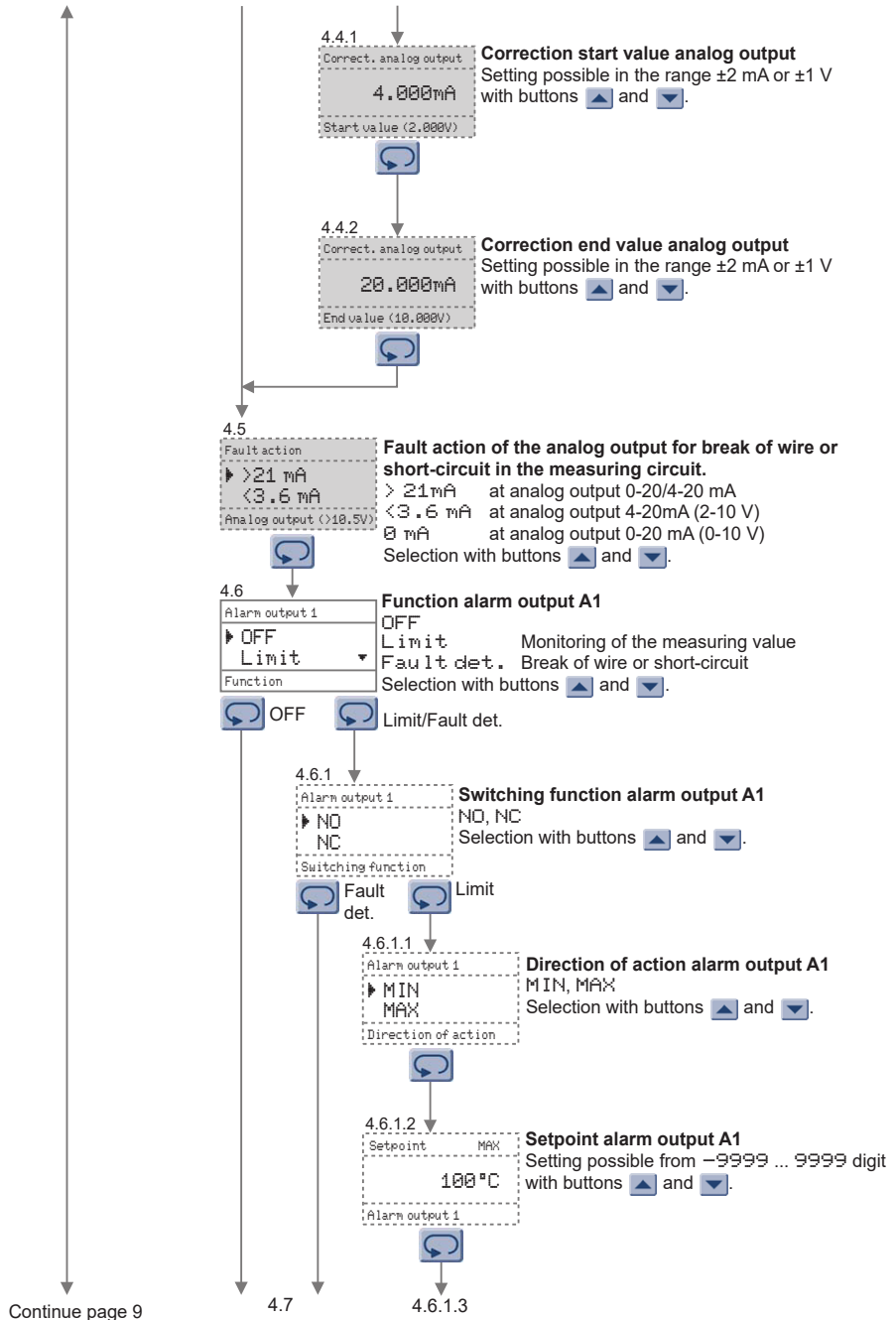


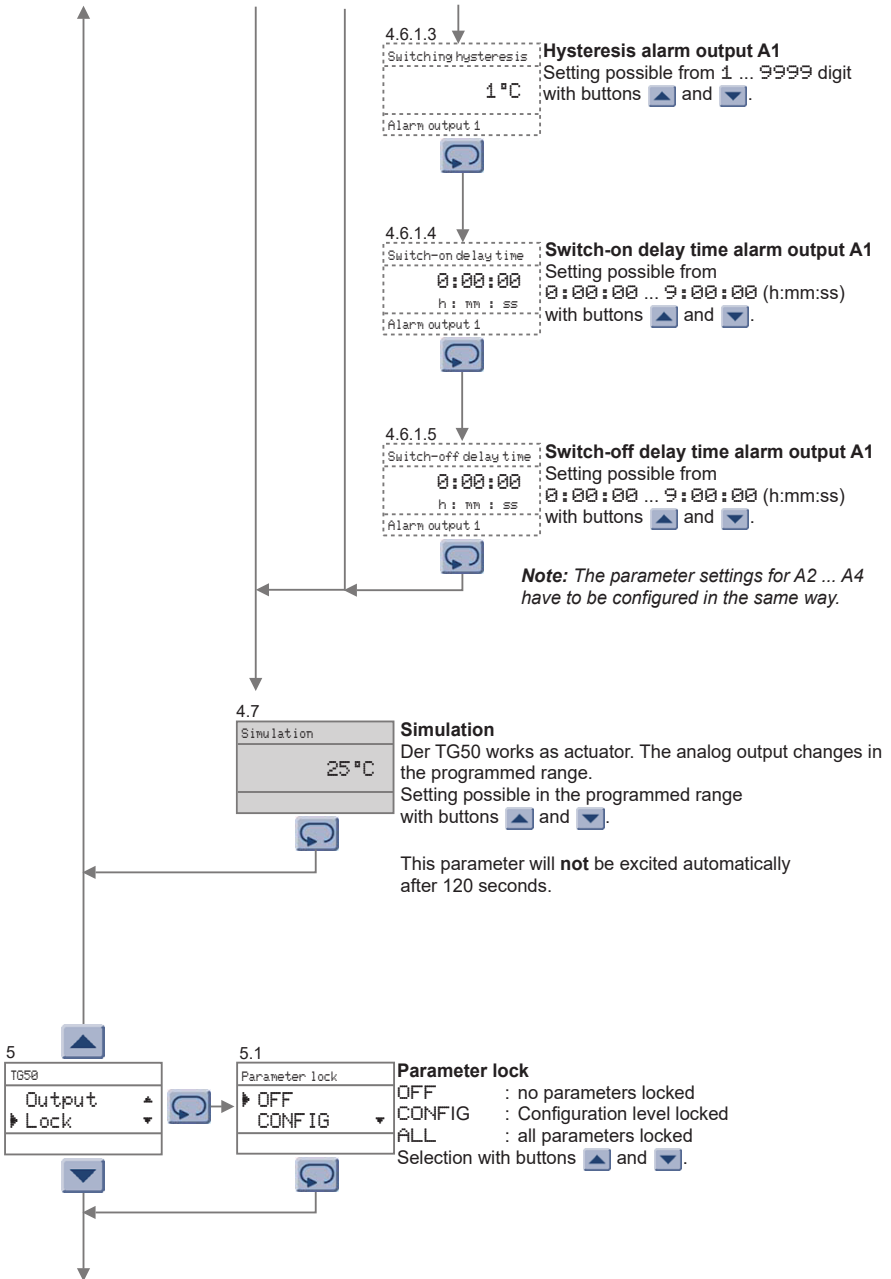
Configuration level



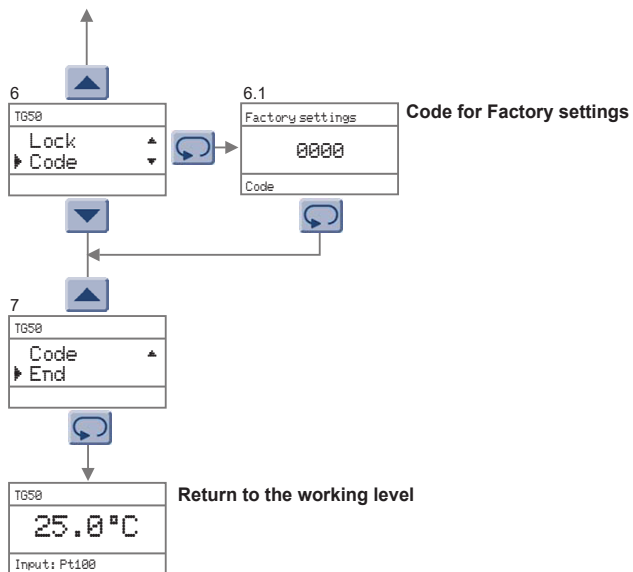
Continue page 7







Continue page 10



Error reports

Description

Caution!
Parameter locked
switched on

The parameter can not be changed, because the parameter lock for the configuration level, or work and configuration level, is switched on.

Caution!
Undervoltage

Supply voltage to low

Caution!
XX Parameter error
Please check

At the check-up of the parameter memory, XX errors are detected. The incorrect parameters are reset to the factory settings. Please check and correct parameters if necessary.

Caution!
XX Parameter error
Calibration necessary

As before, but the factory settings are incorrect. The device must be checked at work.

Change of decimals?
Some parameters not representable! Adapt parameters automatically?
<input type="radio"/> Yes <input type="radio"/> No

Change of decimal places

While changing number of decimal places, some parameters can be converted, but however, not represented!

Selection "No" : Change of the decimal places is not carried out.

Selection "Yes" : Decimal places are changed automatically, where the affected parameters are set to the maximum possible value. A subsequent verification of the accepted parameters is absolutely necessary.

T650
Fault input
Input: 9999°C

Break of wire or short-circuit in the measuring circuit.

Text Input: 9999 °C is flashing.

Ordering code

TG50 - 1. - 2. - 3. - 4. - 5. - 6.

1. Input

3	Pt100	3-wire	-100.0 ... 600.0 °C/-100 ... 600 °C
	Pt1000	3-wire	-100.0 ... 300.0 °C/-100 ... 300 °C
	Thermocouple	J (Fe-CuNi)	-100.0 ... 800.0 °C/-100 ... 800 °C
		K (NiCr-Ni)	-150 ... 1200 °C
		N (NiCrSi-NiSi)	-150 ... 1200 °C
		S (Pt10Rh-Pt)	-50 ... 1600 °C

2. Alarm outputs

2R	2 Relay outputs	A1, A2; SPDT
----	-----------------	--------------

3. Alarm outputs

00	not installed	
2R	2 Relay outputs	A3, A4; SPDT

4. Analog output

00	not installed	
AO	Analog output	0/4 ... 20 mA; 0/2 ... 10 V DC

5. Supply voltage

0	230 V AC	± 10 %	50-60 Hz
1	115 V AC	± 10 %	50-60 Hz
5	24 V DC	± 15 %	

6. Options

00	without option
----	----------------

Works configuration according to customer specifications.