

The CirrusSense™
TDWLB-LC Series
Low Cost/OEM,
Lightweight
Wireless Bluetooth
Pressure Transducer



SERIES: TDWLB-LC



FEATURES

- Grivory, Industry First, Lightweight
- Connects to smart phones and tablets with BLE (Bluetooth® Low Energy)
- Remote Monitoring Capability Available
- Pressure ranges up to 1,000 psi
- 1% Standard accuracy
- Long battery life
- Alarm set points
- Secure field programmable naming
- Patent Pending Design

SPECIFICATIONS

Performance

Pressure Accuracy

Overrange Protection

Pressure Range

Update Time

Performance @ 25°C (77 °F)

1% BFSL (includes: Non-linearity, Hysteresis and Non-repeatability)

1.5x Rated Pressure

See ordering Code, vacuum to 1,000 psi

Bluetooth® wireless technology (1sec)

Environmental Data

Temperature

Compensated Temperatures

Operating Temperatures

Storage Temperatures

TEB

Long Term Drift

EMI/RFI Protection

Rating

-25°C (-13°F) to 60°C (140°F)

-30°C (-22°F) to 60°C (140°F)

-30°C (-22°F) to 60° C (140°F)

3% of FS

0.2% FS/year (non-cumulative)

Yes

IP-67

Mechanical Configuration

Pressure Connections

Wetted Material

Sealing Material

7/16-20 UNF Female w/ 45° flare & valve depressor, 1/4 NPT, 1/8 NPT, G 1/4

Grivory engineered composite material

Schrader Connection = HNBR, All other pressure fittings Viton

Electrical Data

Power Supply

Battery Removal

Replaceable battery, battery life: 24+ months, typical. Battery life is affected by high and low temperatures. Battery part number: TDWLB-LC-BAT

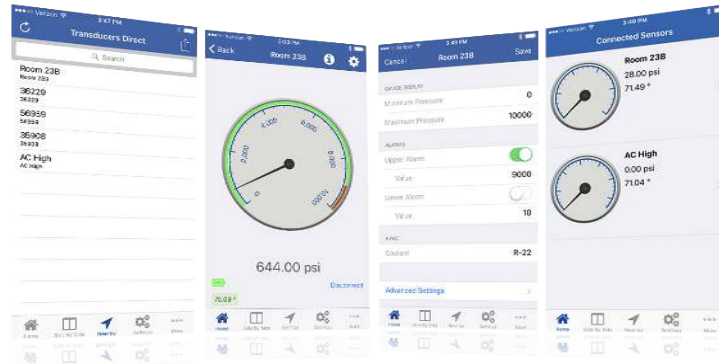
If battery pack is removed, you must wait 90 seconds to reinstall

Operating System Requirements

iOS 8.0 or later

Android 4.3 or later

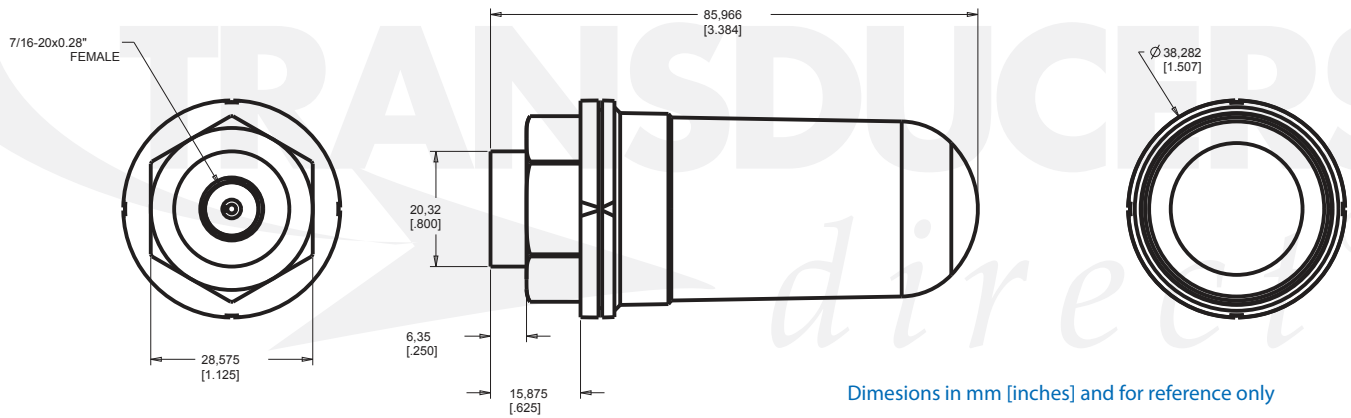
TDWLB-LC APP



Free download at the Apple iTunes App Store and Google Play Store

Specifications may change without notice. The information we supply is believed to be accurate and reliable as of this printing. However, we assume no responsibility for its use. While we provide application assistance personally, through our literature and the Transducers Direct web site, it is up to the customer to determine the suitability of the product in the application.

DIMENSIONS



Dimensions in mm [inches] and for reference only

All TDWLB Transducers Contain a Lithium Battery That Must Be Disposed of Properly

ORDERING

Series	Pressure Range	Pressure Connection	Accuracy	Battery Pack
TDWLB-LC	0500 (psi)	42	4	
	0015	01 = 1/8 NPT	4 = 1.0%	Blank= standard battery pack
	0025	03 = 1/4 NPT		
	0050	13 = G 1/4		
	0100	42= 7/16-20 UNF Female		
	0250	w/ 45° flare & valve		
	0500	depressor (Schrader)		
	0650	**		
	1000			
	**			

**= Consult factory for further OEM options.

Pressure ranges listed above are quick ship versions.

All straight-thread o-rings are Viton. It is customer's responsibility to determine compatibility.