



## SOLIBA

### TILT LEVEL SWITCH FOR SOLIDS

For grain silos, cereals, animal feeds

This tilt level switch has been designed to provide high level measurement in silos or any other type of storage containers located in non-hazardous areas.

Its operation is very simple: Vertically suspended at the desired high level point, the SOLIBA will tilt as the grain reaches the unit.



100 % made in France



Fixcab

**Operation mode** By tilting

**Important specification** Only in non ATEX area

**Electric characteristics** 250 VCA 50/60 Hz

**Cut-out power** 20 (8) A

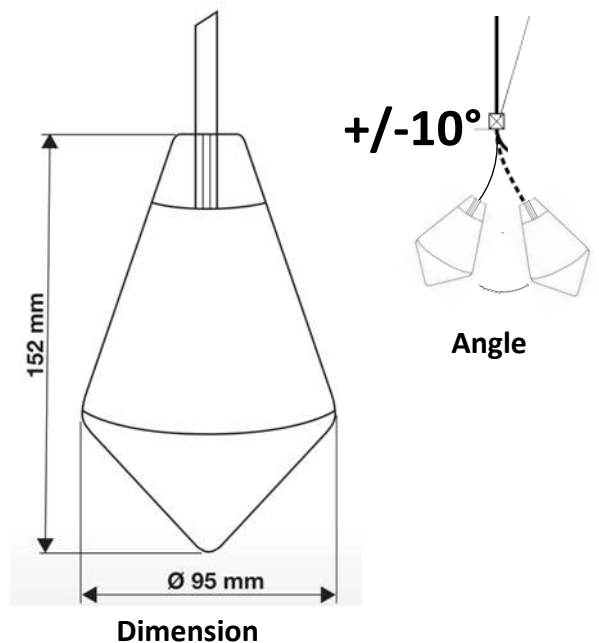
**Maximum temperature** 85 °C

**Protection index** IP 68

**Housing** Copolymer polypropylene

**Type of cable** Neoprene 3X1 mm<sup>2</sup>

**Float weight without cable** 462 g



## FILLING



When the silo fills up, the level sensor is suspended vertically.



When the high level is reached, the level sensor tilts and stops filling the silo



Connection

---

**IMPORTANT!** the SOLIBA level sensor must be installed opposite the arrival of the product, and at a certain distance from the wall, in order to ensure an optimal movement.

**Manual filling of the silos may cause the sensor to malfunction.**