

Product information

Pressure Converter LPC60



- For dry and non aggressive gases
- Measuring ranges from 0.25..25 mbar
- Uni- and bidirectional devices
- Output 4..20 mA, 2-wire technology

Characteristics

The Pressure Converter LPC60 can be used for measuring low pressure, differential pressure in filter- and clean room technology. The device is designed for dry and non aggressive gases in the range from 0.25..25 mbar designed.

Technical data

Power supply

Loop voltage : 12..36 V DC
 Operating temperature : -18..+70°C
 (0..55 °C compensated range)

Input

Process connection : pressure tube 1/4" (4.7mm)
 Measuring range
 - unidirectional : 0.25..25 mbar
 - bidirectional : ±0.25..16 mbar
 Overload : max. 1 bar
 for vertical mounting calibrated

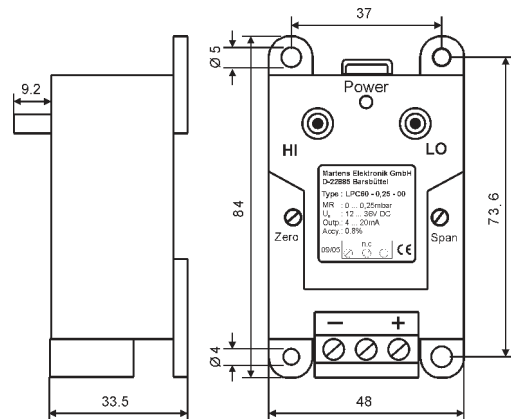
Output

Current : 4..20 mA, 2-wire connection
 Span and zero point : ± 5 % adjustable
 Accuracy : 0.8 %, optional 0.4 %

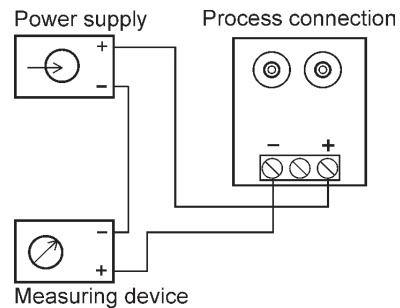
Case

Mounting : DIN rail TS35 or screws M4
 Electrical connection : slide-in terminal

Dimensions



Connection diagram



Ordering code

LPC60 - 1. - 2.

1. Measuring range [mbar] (please state in clear text)	
unidirectional	
0..0.25/ 0.6/ 1/ 1.6/ 2.5/ 4/ 6/ 10/ 25	
bidirectional	
±0.25/ 0.6/ 1.6/ 2.5/ 4/ 6/ 10/ 16	
2. Options	
00	without option
01	accuracy 0.4 %