

Product information

Displays

**Plug-in Display
 GIA 0420-M12/0420-M12-T**



GIA 0420-M12



GIA 0420-M12-T

- Plug-in display with freely accessible or concealed buttons, for all sensors with 4-20mA output and M12 connection
- Flexible scalable display -1999..9999 digits - adjustable for all measuring ranges
- Display device adaptable to all installation situations, 340° rotating display, plug rotatable 360° in 8 positions
- Monitoring of sensor defect and range violation
- No external supply necessary: power supply via current loop!
- Voltage drop only 2 V
- Optionally with 2 switching outputs

Features

In addition to our best-selling 'GIA 0420-VO' for EN 175301-803 rectangular plug connectors, we offer the right device for widely distributed 4-pin M12-A plug connector 'GIA 0420-M12'.

4-20 mA sensor systems are very popular thanks to their simplicity and durability - and, not lastly, due to the affordable system costs.

Our GIA 0420-M12 plug-in display can be used for countless 4-20 mA sensors with an M12 connection for detection of pressure, temperature, flow, fill level, pH, etc.

A special feature is the flexibly pivoting display - sensors are frequently installed in inaccessible locations where a standard 90° orientation is of little help.

Please also note that our GRA 0420 LED displays are also available in M12 version for dark lighting conditions!

Technical data

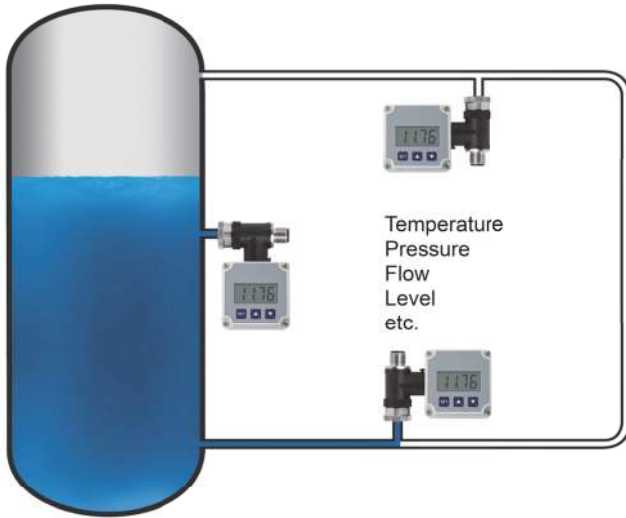
Input signal	: 4..20 mA, (2-wire)
Voltage load	: approx. 2 V
Supply current	: from current loop
Accuracy	: ±0.2 % FS ±1 digit (at nominal temperature = 25 °C)
Display	: 10 mm high LCD display
Display range	: -1999..+9999
Decimal point	: freely positioned
Scaling	: freely scalable with 3 buttons
Measuring rate	: approx. 5 measurements / s
Filter	: adjustable
Limit	: 3 selectable limit functions LI 0: Range exceeding/undercutting is permissible LI 1: Range exceeding/undercutting is not permissible LI 2: Range limit is displayed when range exceeded/undercut.
Switching outputs (with option S2)	: 2 galvanically isolated open collector switching outputs on separate M8 socket
Switching point/hysteresis	: freely selectable
Max. switching voltage	: 28 V
Max. switching current	: 1 A
Reaction time	: 250 ms
Min/Max value buffer	: the max and min value are saved (only with option T)
Operation, configuration	: with 3 buttons, Standard : concealed rear housing cover Option T : accessible from outside
Operating conditions	: -25..+50 °C / 0..80 % r.h. (non-condensing)
Electrical connection M12-A	: Special adapter design for plug connector, 4-pin, for simple intermediate connection. Assignment 1+ 3- 1+ 2- 2+ 4- others on request.
Protection class	: IP65 (with correct assembly)
Housing	: ABS, foil keypad, front pane made of polycarbonate
Dimensions (W x H x D)	: approx. 48.5 x 48.5 x 35.5 mm without plug connector approx. 80 x 50.5 x 39.5 mm
Scope of delivery	: Device, operating manual



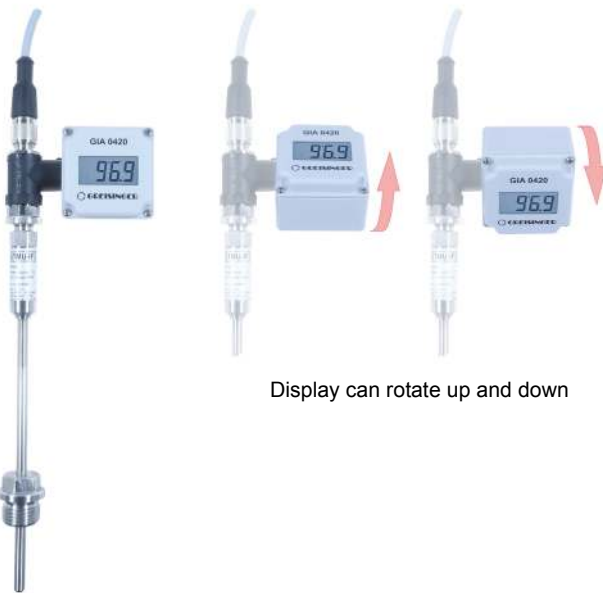
Devices can be rotated to various positions:
 X: Housing 340°
 Y: Plug connector 360° in 8 positions
 Z: Displays 360° (4 positions with screw fitting)

Product information

Assembly examples



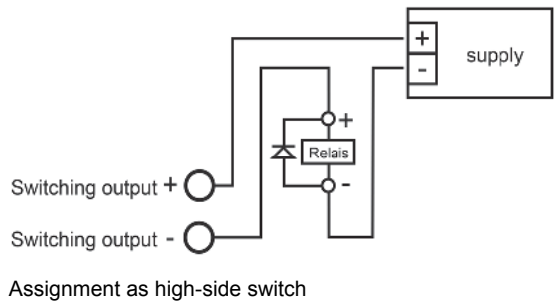
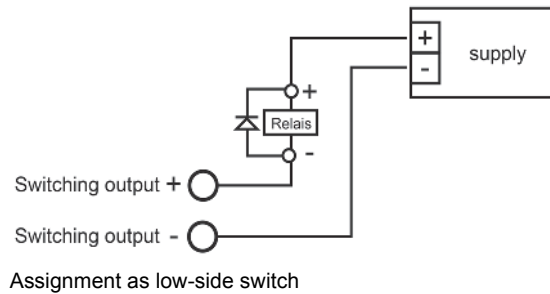
Can be installed in a variety of positions



Display can rotate up and down

Example assignment for switching output

i. e. switching of relays



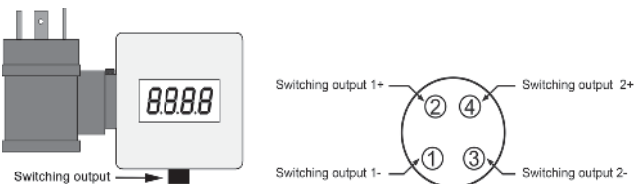
Ordering code

1. 2. 3. 4.
 GIA0420 - - - -

1. Version	M12	Adapter for 4-pin M12-A plug connector
2. Buttons	0	Hidden button
	T	With buttons, 3 exposed operating buttons
3. Options	00	No options
	S2	Display with 2 galvanically isolated switch outputs
4. Connection	13	Special adapter design for M12-A plug, 1+, 3-
	12	Special adapter design for M12-A plug, 1+, 2-
	24	Special adapter design for M12-A plug, 2+, 4-

Assignment of switching outputs

At option S2



Assignment of connection cable EBK401:

- 1 - brown = switching output 1 -
- 2 - white = switching output 1 +
- 3 - blue = switching output 2 -
- 4 - black = switching output 2 +