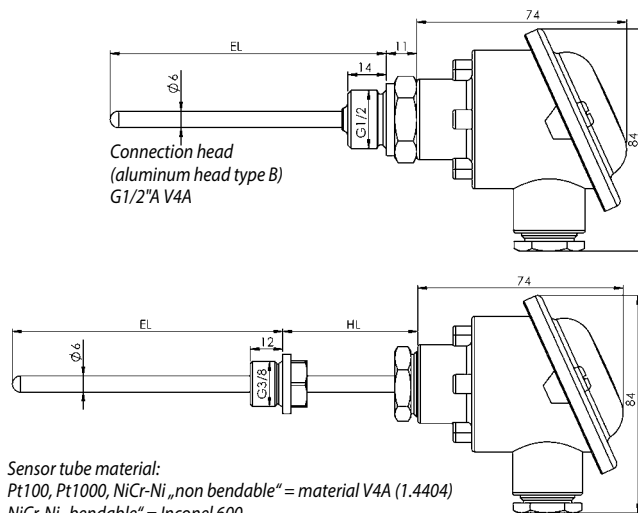


INDUSTRY-TEMPERATURE PROBE



**GTF 103**  
Temperature probe

GTF103 - 1 - 2 - 3 - 4 - 5 - 6 - 7 - 8 - 9 - 10 - 11 - 12 - 13 - 14 - 15

Greisinger	
1.	Standard signal
	O Without output signal
	RT With output signal 4 ... 20 mA, 2-wire, RT420, Only Pt100
	T0 With output signal 0 ... 10 V, 3-wire, T03 BU, Only Pt100
	GI With output signal 4 ... 20 mA, 2-wire, GITT 01
2.	Sensor element
	P Pt100
	P22 Double Pt100, 2 x 2-wire
	P23 Double Pt100, 2 x 3-wire
	T PT1000
	K Type K (NiCr-Ni)
	K2 Double type K (NiCr-Ni)
	J Type J (Fe-CuNi)
3.	Accuracy sensor element
	B DIN class B
	A DIN class A
	D DIN class AA (1/3 DIN class B)
	Z 1/10 DIN cl. B
	1 Class 1, NiCr-Ni
4.	Connection sensor element
	2L 2-wire
	3L 3-wire
	4L 4-wire
	22L 2 x 2-wire
	23L 2 x 3-wire
5.	Connection head
	A Aluminium sensor head (DIN B head)
	E Stainless steel sensor head
	K Probe head made from plastic
	S Small sensor head (design DE)
6.	Measuring insert
	0 Measuring insert not interchangeable
	MA Measure usage interchangeable
	MA Interchangeable measuring insert (standard with standard signal), Standard with option RT420 / GITT01 / T03.. from Ø4 mm to Ø8 mm
7.	Process connection
	J With process connection
	N Without process connection

8.	Extension tube
	K No extension tube, For $T \leq 100 \text{ }^\circ\text{C}$
	M With extension tube, For $T > 100 \text{ }^\circ\text{C}$
9.	Process connection
	G1 G ½
	G2 G ¼
	G3 G ¾
	G5 G ¾
	M0 M10
	M01 M10x1
	M2 M12
	M18 M18x1.5, D 3 ... 8 mm
	N12 NPT ½"
10.	Environmental temperature
	-40 ... +85 °C, RT420, GITT01, T03 BU
11.	Length of extension tube HL
	000 0 mm
	050 50 mm
	100 100 mm
12.	Probe diameter Ø
	30 3 mm
	40 4 mm
	60 6 mm
	80 8 mm
13.	Fitting length EL
	0050 50 mm
	0100 100 mm
	0150 150 mm
	0250 250 mm
	0500 500 mm
14.	Mineral insulated element
	ME Yes, for temperatures beyond 400 °C
	00 no
15.	Measuring range
	MB2 -50 ... +400 °C
	MB1 -50 ... +200 °C
	MB3 -50 ... +600 °C

Special designs can be ordered only in written form (fax/letter/email) and are excluded from exchange!