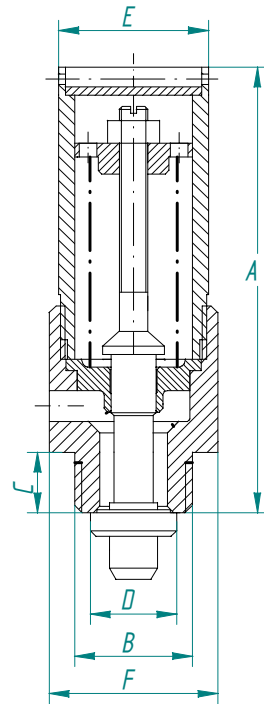




VACUUM BREAKER VALVE

FIG. 503

-Valve to avoid (prevent) a vacuum within the pressure vessel installations.



DESCRIPTION:

SEAL: Vitón. (On request according to the fluid, Other type of seal)

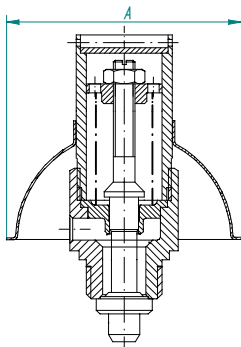
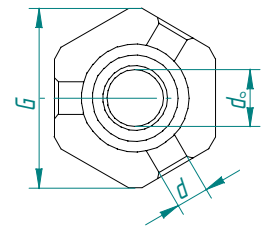
Connection: Gas thread DIN-ISO 228 and flange DIN PN 16 or ANSI 150 LBS.

Pressure rating: PN-16

Material: Stainless steel

Temperature: -20°C a 200°C *

Sizes m/m.	A	B	C	D	E	F	G	d _o	d
1/2"	78	20,95	11	15,5	26,3	30	35	12,5	7
3/4"	96	26,44	15	19,5	32,7	36	39	15,5	8
1"	125	33,25	15	24,5	42	46	50,5	20	9,5



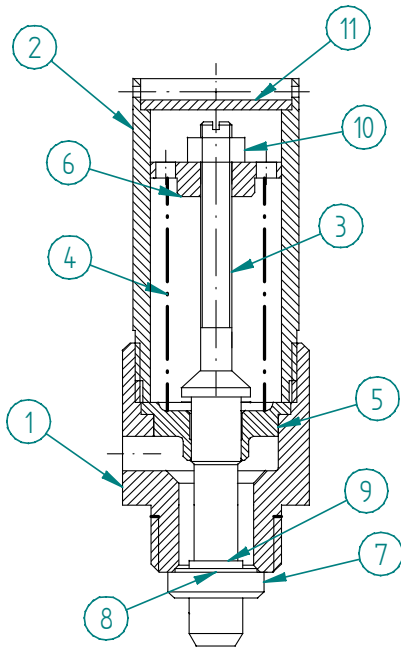
Valve with protector and filter



Optional: Protector of the valve inlet

Ø	1/2"	3/4" – 1"
A	Ø 64	Ø 76

COMPONENTS OF THE VALVE.



Nº	DESCRIPTION	MATERIAL
1	BODY	AISI-316
2	BELL	AISI-304
3	SHAFT	AISI-304
4	SPRING	AISI-302
5	CENTERING	AISI-304
6	SLIDE GUIDE	AISI-304
7	SEAL PLUG	AISI-316
8	SEAL (TIGHT)	VITON
9	WASHER	AISI-316
10	NUT	AISI-304
11	COVER TAP	AISI-304

-Features of the seal valve prevents the tap crush and deform due to the pressure of the Installation that carries on the closing plug as this crash with the body of the valve and avoid over crash of the sealing and extend the life.

- Manufactured fully Stainless Steel (Vitón seal).
- Valve and sealed calibrate CT.

SET DEPRESSURING (bar)	CODE - 1/2"	CODE - 3/4"	CODE - 1"
0,05 a 0,10	W0K15110	W0K20110	W0K25110
0,09 a 0,20	W0K15210	W0K20210	W0K25210
0,19 a 0,30	W0K15310	W0K20310	W0K25310
0,29 a 0,40	W0K15410	W0K20410	W0K25410
0,39 a 0,50	W0K15510	W0K20510	W0K25510

