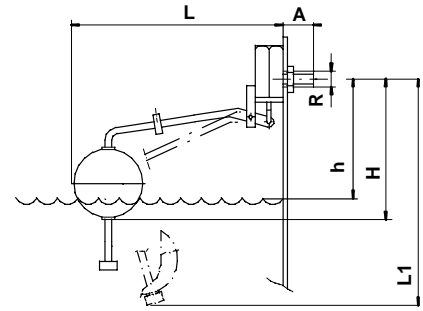


FIG. 300 FLOAT VALVE INSTANT CLOSE SLIDING FLOAT



H – Corresponds to the closed valve, shows the maximum level **h** of the controlled liquid.

L1 – Corresponds to the lowest position of the level and float.

Opening [mm]	DIMENSIONS FIG. 300 BP						MASS WITHOUT FLOAT [kg]	Ø SPHERICAL BUOYS For pressure p =10 bar Ø [mm]
	[Inches]	[mm]						
	R	A	L	L1	H	h		
10	3/8" G	32	391	403	190	135	0,703	110
15	1/2" G	35	391	403	190	135	0,741	110
20	3/4" G	42	455	517	248	198	1,075	160
25	1" G	45	455	517	250	200	1,186	160

Opening [Inches]	FIG. 300 F WATER FLOW [l/h]							
	PRESSURE [bar]							
	1	2	3	4	6	8	10	
3/8"	1 301	1 944	2 422	2 820	3 483	4 038	4 523	
1/2"	2 600	3 880	4 840	5 600	6 960	8 070	9 040	
3/4"	4 726	7 061	8 797	10 243	12 651	14 667	16 429	
1"	6 895	10 303	12 836	14 946	18 459	21 401	23 971	

Features:

Made from stainless steel 18/8/2 (AISI 316 / DIN 1.4401 & ASTM – CF8M, DIN 1.4408)

Only two positions, fully open and fully closed.

When operated with higher liquid pressure the closing of the valve is better.

Connection with Gas thread cylindrical DIN – ISO 228/1985.

Nominal pressure PN – 16, maximum variable pressure 10 bar.

Non – binding information sheet and may be modified without notice.



Rda. Shimizu nº nave 4
Pol. Ind. Can Torrella
08233 Vacarisses – Barcelona - (España)
Tel. +34 938 280 444 – Fax. +34 938 280 450
E-mail: comercial@valvulasct.com
info@valvulasct.com

www.valvulasct.com

Medalla de bronce
BRUSSELS EUREKA
SALON MONDIAL DE L'INVENTION 1986

