

# [FC Series] Vacuum Pressure Switch



- Ranges available up to -760 - 100 mm Hg typical at sea level.
- Maximum working pressures up to 12 bar.
- Black Epoxy powder coated die cast aluminium and all stainless steel enclosures.
- Flameproof EExd IIC T6 - ATEX & IECEx.
- Reliable, accurate micro switches used.
- Optional wetted materials include – Monel, Titanium, Tantalum & Hastelloy C : diaphragms will be of neoprene or teflon
- Terminal block for easy field wiring.
- Hermetically sealed microswitch options.
- 316 stainless steel wetted parts.
- NACE Mr-01-75 compatibility - optional.

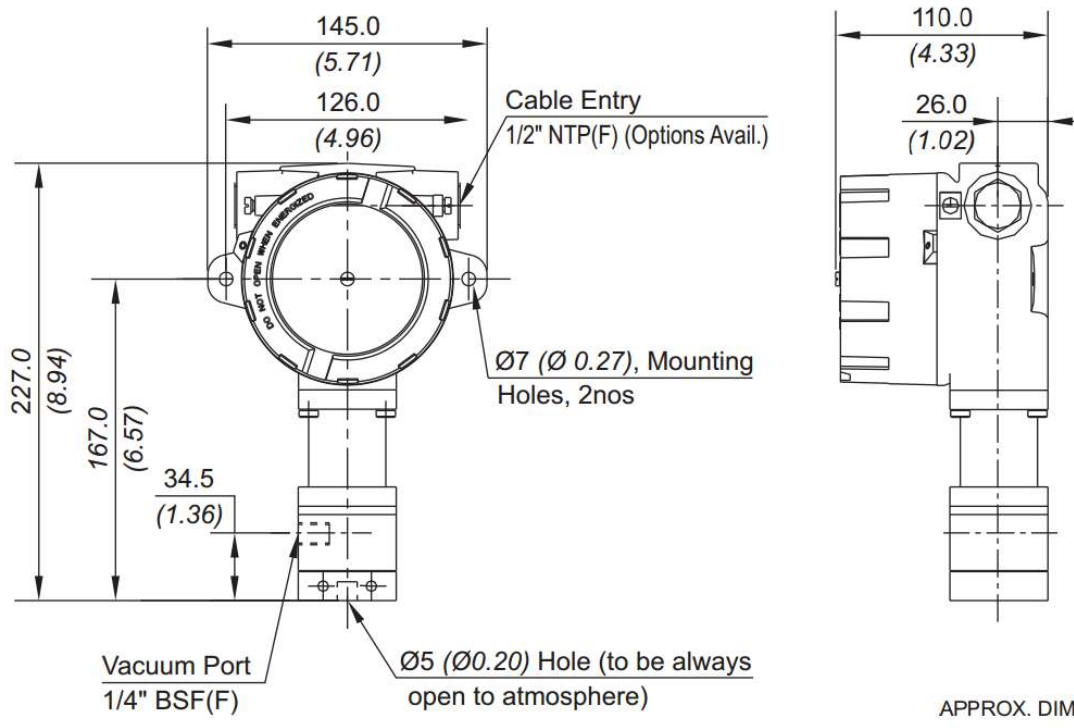
## Approximate Weight:

Pressure switches with Aluminium enclosure : 2.03 Kg.  
 Pressure switches with Grey CI enclosure : 4.43 Kg.  
 Pressure switches with SS enclosure : 4.56Kg.

## Applications:

Used in filters, vacuum pumps, blower systems, etc.

## Installation Diagram



# [FC Series] Vacuum Pressure Switch

**Description** = Flameproof pressure switch, ATEX, IECEx approved, with Aluminium head as per IS/IEC 60079-1 for Gas Gr. IIC

Enclosures				Code
Hazardous Area enclosure – Current marking: Ex d IIC Gb Ex tb IIIC Db T85°C (-20°C < Ta < +60°C) IP66			ATEX	FC
			IECEX	FC
Cable Entry	Stainless Steel		Aluminium	
	1/2" NPT	7	1/2" NPT	1
	3/4" NPT	8	3/4" NPT	2
	M20x1.5	9	M20 x 1.5	3
Scale				
			No scale	V1
Ranges...	Switching Range (MMHG)	Differential bar Aproximate Maximum for "A1" Microswitch	Max. Bar	Code
	-760 - 100	10	12	V00
Microswitch Type				
General Purpose 15A, 250VAC				A1
Hermetically Sealed for corrosive enviroments				A2
Gold Plated contacts for low voltage applications				A3
DPDT Configuration				A4
High DC Ratings				A5
Elements with adjustable deadband				A6
2SPDT				A7
General purpose microswitch rated at 5A; 250VAC				A9
Pressure Housing material & Process connection size				
		SS316	1/4" BSPF	S1
		SS316	1/4" NPTF	S2
Diaphragm				
			Neoprene	0
			Teflon	1