

[FC Series] Flameproof Temperature Switch



- Operating Temperatures from 25° C to 215° C
- Repeatability : +/- 2% FSR
- Electrical Rating : 15A;250VAC
- Diecast Aluminium & Stainless Steel body available
- Brass Temperature Bulb Material
- Compact, rugged Design
- IP66 standard Enclosure Protection
- With 2.0 meter capillary cable

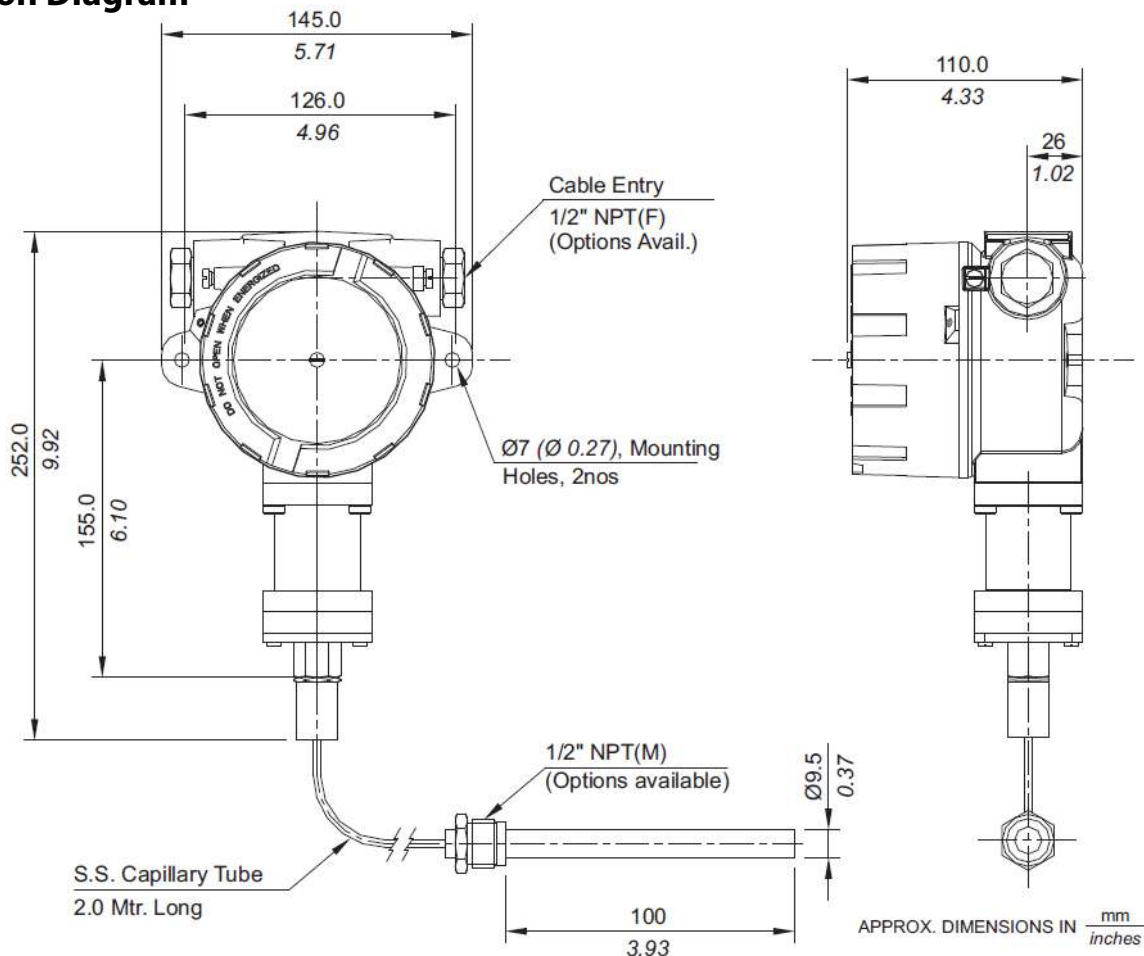
Approximate Weight:

Pressure switches with Aluminium enclosure : 2.5 Kg.
Pressure switches with SS enclosure : 5.1 Kg.

Applications:

To detect limiting temperature levels in hazardous areas.

Installation Diagram



[FC Series] Flameproof Temperature switch

Description = Flameproof temperature switch, ATEX & IECEx approved, with Aluminium head as per IS/IEC 60079-1 for Gas Gr. IIC

Enclosures				Code
Hazardous Area enclosure – Current marking: Ex d IIC Gb Ex tb IIIC Db T85°C (-20°C < Ta < +60°C) IP66			ATEX	FC
			IECEx	FC
Cable Entry	Stainless Steel		Aluminium	
	1/2" NPT	7	1/2" NPT	1
	3/4" NPT	8	3/4" NPT	2
	M20x1.5	9	M20 x 1.5	3
Scale				
			No scale	T1
			Scale in °C	T2
Ranges...	Switching Range °C	Differential °C Approximate Maximum for "A1" Microswitch	Max. Working Temperature °C	Code
	25 - 90	15	150	T1H
	70 - 150	20	200	T2H
	120 - 215	30	300	T3H
Microswitch Type				
General Purpose 15A, 250VAC				A1
Elements with adjustable deadband				A6
2SPDT switching elements				A7
Hermetically sealed gold plated contact 2SPDT				B6
Temperature bulb material/ size				
9.5mm Dia., 123mm length & thermowell connection		Brass	3/8" BSP (M)	B1
		Brass	3/8" NPT (M)	B2
		Brass	1/2" NPT (M)	B3
Capillary material/ size				
			SS316/ 2.0 Meter	2