

# [FC Series] Compound Range Pressure Switch



- Ranges available up to -1 to +3.6 Bar.
- Maximum working pressures up to 12 bar.
- Black Epoxy powder coated die cast aluminium and all stainless steel enclosures.
- Flameproof EExd IIC T6 – ATEX & IECEx.
- SPDT or DPDT switching and optional gold alloy contacts.
- Optional wetted materials include – Monel, Titanium, Tantalum & Hastelloy C : diaphragms will be of neoprene / teflon, other wetted material will be of SS316
- Terminal block for easy field wiring.
- Hermetically sealed microswitch options.
- 316 stainless steel wetted parts.
- Quality Management System – ISO 9001:2008 thru BSI Management Systems.

## Approximate Weight:

Pressure switches with Aluminium enclosure : 2.0 Kg.

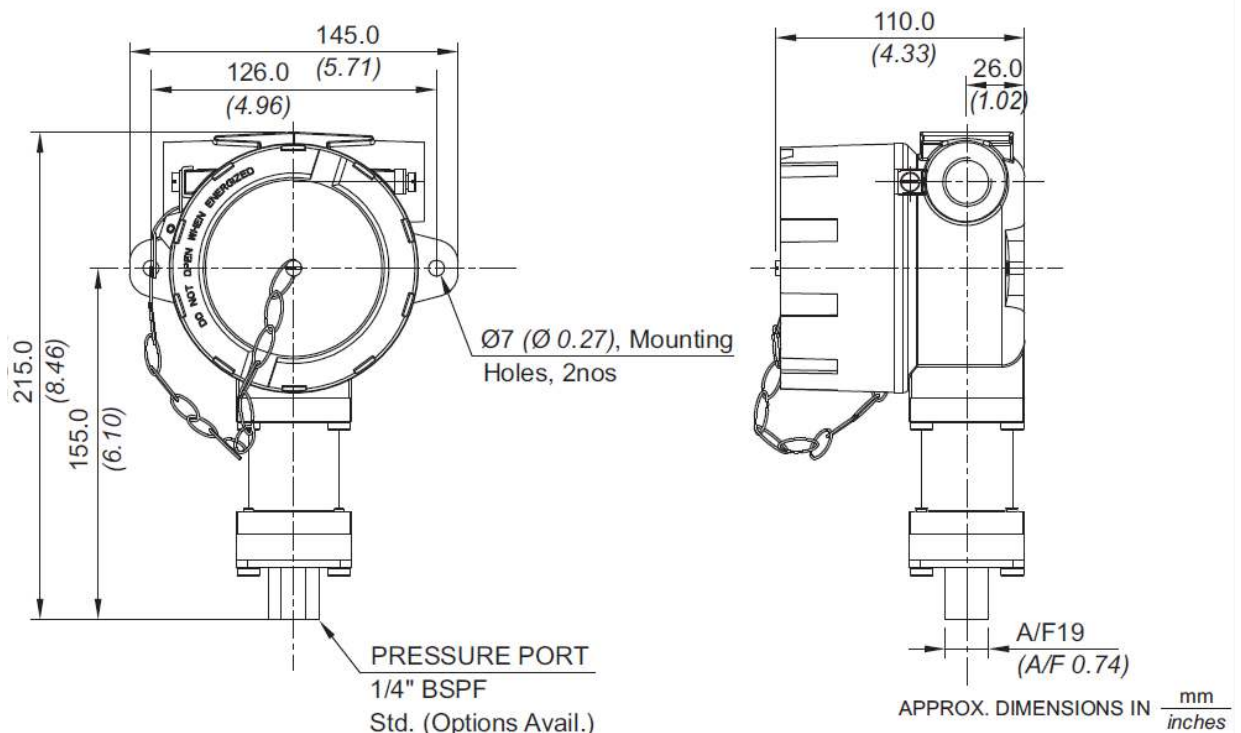
Pressure switches with Grey CI enclosure : 4.5 Kg.

Pressure switches with SS enclosure : 4.6 Kg.

## Applications:

Where the set point can vary from vacuum(-ve) pressure to +ve pressure.

## Installation Diagram



# [FC Series]

# Compound Range Pressure Switch

**Description** = Flameproof pressure switch, ATEX, IECEx approved, with Aluminium head as per IS/IEC 60079-1 for Gas Gr. IIC

Enclosures			Code	
Hazardous Area enclosure – Current marking: ATEX FC Ex d IIC Gb Ex tb IIIC Db T85°C (-20°C < Ta<+60°C) IP66			ATEX	FC
			IECEx	FC
Cable Entry	Stainless Steel		Aluminium	
	1/2" NPT	7	1/2" NPT	1
	3/4" NPT	8	3/4" NPT	2
	M20x1.5	9	M20 x 1.5	3
Scale				
			No scale	C1
Ranges...	Switching Range (Bar)	Differential bar Aproximate Maximum for "A1" Microswitch	Max. Bar	Code
	-1 to 1.0	0.2	12	C01
	-1 to 2.6	0.6	12	C03
	-1 to 3.6	0.8	12	C04
Microswitch Type				
General Purpose 15A, 250VAC				A1
Hermetically Sealed 4 A, 115 VAC / 28 VDC				A2
Gold Plated contacts for low voltage and I.S. applications				A3
High DC ratings				A5
Adjustable deadband				A6
2SPDT configuration				A7
Pressure Housing material & Process connection size				
		SS316	1/4" BSPF	S1
		SS316	1/4" NPTF	S2
Diaphragm				
			Neoprene	0
			Teflon	1