

- For level detection of electrically conductive and non-conductive liquids
- Compact miniature performance for direct mounting to vessels, tanks, sumps and tubes
- Easy setting by means of magnetic pen
- SIL 1 according the standard EN 61508
- High temperature performance available
- Outputs S, PNP, NAMUR
- LED state indication \*



Capacitive level sensors (switches) CLS-23 are designed for limit level detection of electrically conductive and non-conductive liquids in vessels, reservoirs, sumps, pipes, tanks, etc. The sensitivity of the sensor can be easily set by placing magnetic pen on sensitive spot.

The process coupling at the housing can be with metric thread (M18x1.5 ; M20x1.5), pipe thread (G3/8" ; G1/2") or sealing thread (NPT 1/2-14). Output performances – transistor output with open collector (PNP), two wire electronic switch (S) and NAMUR output for intrinsically safe connection.

There are next performances available: N – Normal for non-explosive areas, E – Extended temperature range for non-explosives areas, Xi – Explosion proof (intrinsically safe for explosive areas), NT – High temperature variant for non-explosives areas and XiT – High temperature variant for explosive areas.

CLS-23 capacitive level sensors meet the safety integrity level requirements according to standard EN 61508 at level SIL 1.

\* Variant „E“ without LED state indicator

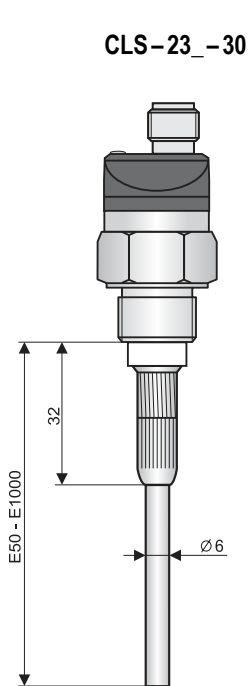
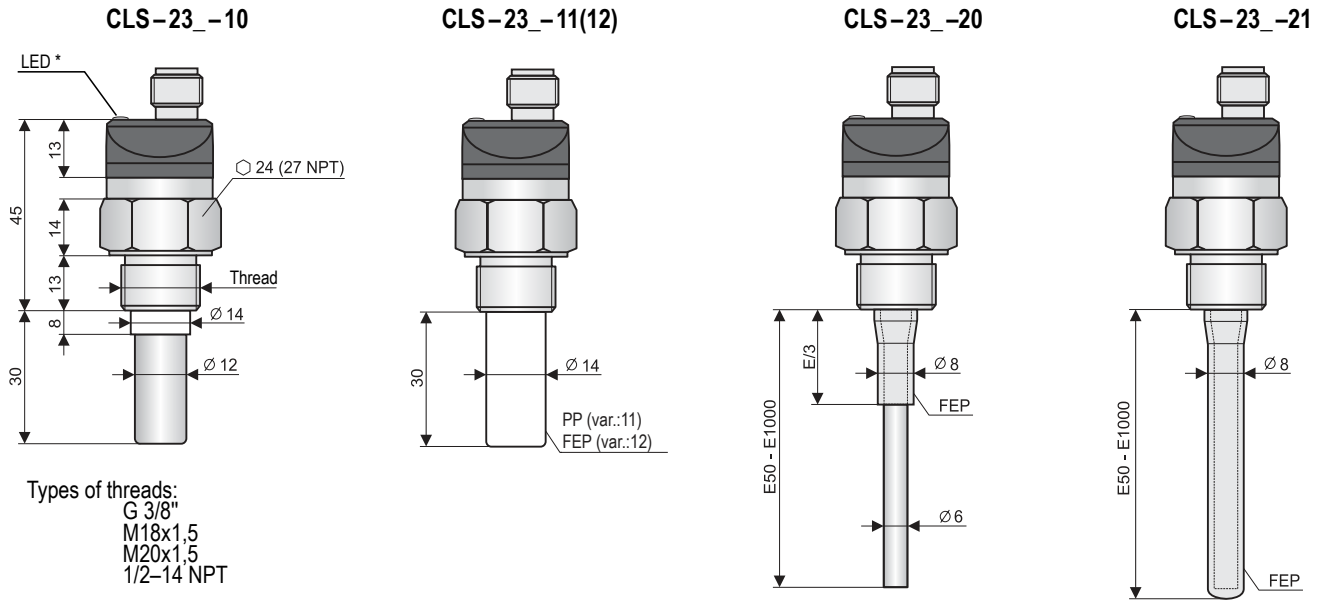
### RANGE OF APPLICATION

Detection of various types of liquids – water, oils, coolants, water solutions, etc. Suitable for metal vessels, containers, tanks, sumps, pipes. Suitability for non-metallic containers (glass, plastic containers, etc.) please consult with the manufacturer.

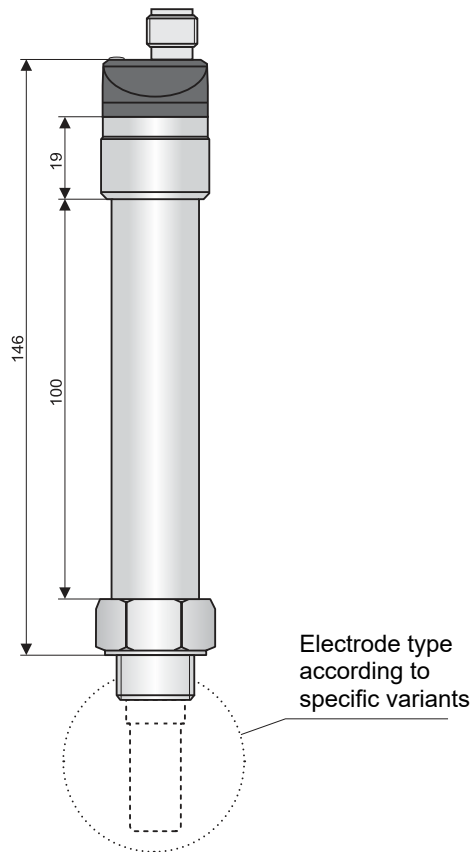
### VARIANTS OF SENSORS

- **CLS-23\_-10**     **Uncoated short bar electrode**, for sensing the level of electrically non-conductive liquids (oil, crude oil products). Assembly into a side wall of vessel or into a pipe. Electrode length 30 mm.
- **CLS-23\_-11**     **Fully coated short bar electrode**, for sensing the level of non-aggressive electrically conductive liquids (water, water solutions). Electrode insulation from PP material, assembly into a side wall of vessel or into a pipe. Electrode length 30 mm.
- **CLS-23\_-12**     **Fully coated short bar electrode**, for sensing the level of electrically conductive liquids (various chemicals, moderately aggressive water solutions). Higher temperature resistance compared to variant "11". Electrode insulation from FEP material. Assembly into a side wall of vessel or into a pipe. Electrode length 30 mm.
- **CLS-23\_-20**     **Partially coated rod electrode**, for sensing the level of electrically conductive and non-conductive liquids, partially resistant against fume condensation in the sensed area. Electrode insulation from FEP material. Installation from above, on shorter electrodes (max. 200 mm) also from the side. Electrode length from 50 mm to 1 m.
- **CLS-23\_-21**     **Fully coated rod electrode, universal use**, for sensing the level of electrically conductive liquids. Resistant against fume condensation and partially resistant against spraying media. Electrode insulation from FEP material. Installation from above, on shorter electrodes (max. 200 mm) also from the side. Electrode length from 50 mm to 1 m.
- **CLS-23\_-30**     **Dismountable uncoated rod electrode**, for sensing the level of conductive or non-conductive liquids. Installation from above, on shorter electrodes (max. 200 mm) also from the side. Electrode length from 50 mm to 1 m.

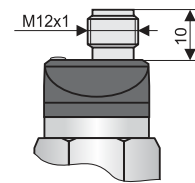
# DIMENSIONAL DRAWING



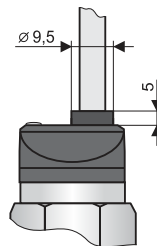
**High temperature variants  
(CLS-23\_T-10; 12; 20; 21; 30)**



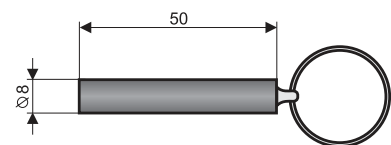
**Variant „C“ with connector  
(outside CLS-23E\*)**



**Variant „A“  
with cable outlet**



**Magnetic pen MP-8**



\* Variant „E“ without LED state indicator

## TECHNICAL SPECIFICATIONS

TECHNICAL SPECIFICATIONS		
Supply voltage		6 ... 30 VDC
Supply current	– output type P – output type S	max. 0,6 / 7 mA (OFF / ON state) max. 0,6 mA (OFF state)
Switched current	– output type P – output type S	max. 100 mA 3,3 mA / 40 mA (min. / max.)
Remanent voltage - ON state	– output type P – output type S	1,8 V 6,0 V
Output time delay		0,1 s
Protection class		IP68 (0,1 MPa)
Safety integrity level		SIL 1
Cable (for cable outlet performance)	CLS–23N, NT, Xi, XiT CLS–23E	PVC 2x 0,34 mm <sup>2</sup> (3x 0,34 mm <sup>2</sup> – output P) silicone 2x 0,5 mm <sup>2</sup>
Weight (with 2 m cable and 30 mm electrode)	CLS–23N, E, Xi CLS–23NT, XiT	cca. 45 g cca. 190 g

ELECTRICAL PARAMETERS – variants Xi, XiT	
Supply voltage	8 ... 9 V DC
Current supply (state OFF / ON) – NAMUR	≤ 1 mA / ≥ 2,2 mA
Max. internal values	Ui= 12 VDC; li= 15 mA; Pi= 45 mW; Ci= 15 nF; Li= 10 μH
Coupling capacity / Electric strength	44 nF / 250 V AC
Reference value of LC parameters of used cable	Typical C < 150 pF/m Typical L < 0,8 μH / m

PROCESS CONNECTION		
Type	Size	Marking
Metric thread	M18x1,5	<b>M18</b>
Metric thread	M20x1,5	<b>M20</b>
Pipe thread (BSP)	G 3/8"	<b>G3/8</b>
Pipe thread (BSP)	G 1/2"	<b>G1/2</b>
Sealing thread	1/2–14	<b>NPT</b>

OUTPUT TYPE	
Output	Variants
S („S“)	N, E, NT
PNP („P“)	N, E, NT
NAMUR („R“)	Xi, XiT

MATERIAL PERFORMANCE			
Sensor part	Variants	Material	
Housing	All variants	Plastic PP	
Process coupling	All variants	Stainless steel W.Nr. 1.4305 (AISI 303)	
Electrode	All variants	Stainless steel W.Nr. 1.4305 (AISI 303)	
Electrode insulation	CLS–23_–11	Plastic PP	
Electrode insulation	CLS–23_–12, 20, 21	Plastic FEP	

WORKING AREAS AND AREA CLASSIFICATION (EN 60079-10-1)	
CLS–23N	Basic performance for non-explosive areas.
CLS–23E	Extended temperature performance for non-explosive areas.
CLS–23NT	High-temperature basic performance for non-explosive areas.
CLS–23Xi(XiT)–10 CLS–23Xi(XiT)–30	Intrinsically safe explosion-proof (XiT - high-temperature) performance for use in hazardous areas (explosive gas atmospheres or explosive atmospheres with dust) Ⓜ II 1/2 G Ex ia IIC T6 Ga/Gb with intrinsically safe supply units, electrode part zone 0, head zone 1.
CLS–23Xi–11, 12, 20, 21	Intrinsically safe explosion-proof performance for use in hazardous areas (explosive gas atmospheres or explosive atmospheres with dust) Ⓜ II 1 G Ex ia IIB T6 Ga with intrinsically safe supply units, whole sensor zone 0.
CLS–23XiT–12, 20, 21	Intrinsically safe high-temperature explosion-proof performance for use in hazardous areas (explosive gas atmospheres or explosive atmospheres with dust) Ⓜ II 1/2 G Ex ia IIB T6 Ga/Gb with intrinsically safe supply units, electrode part zone 0, head zone 1.

## TEMPERATURE AND PRESSURE RESISTANCE – variants Xi, XiT

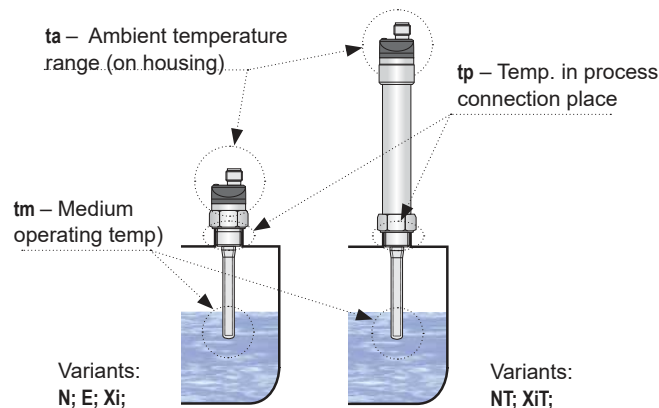
Variant (Performance)	Temperature $t_p$	Temperature $t_m$	Temperature $t_a$	Max. operating pressure for temperature $t_p$				
				to 30°C	to 85°C	to 105°C	to 130°C	to 150°C
CLS-23Xi-10	-25°C ... +105°C	-25°C ... +105°C	-20°C ... +75°C	8 MPa	6 MPa	5 MPa	–	–
CLS-23XiT-10	-30°C ... +150°C	-30°C ... +150°C	-20°C ... +75°C	8 MPa	6 MPa	5 MPa	4 MPa	3 MPa
CLS-23Xi-11	-10°C ... +105°C	-10°C ... +105°C	-10°C ... +75°C	7 MPa	5 MPa	4 MPa	–	–
CLS-23Xi-12	-25°C ... +105°C	-25°C ... +105°C	-20°C ... +75°C	8 MPa	6 MPa	5 MPa	–	–
CLS-23XiT-12	-30°C ... +150°C	-30°C ... +150°C	-20°C ... +75°C	8 MPa	6 MPa	5 MPa	4 MPa	3 MPa
CLS-23Xi-20	-25°C ... +105°C	-30°C ... +150°C*	-20°C ... +75°C	3 MPa	2,5 MPa	2 MPa	–	–
CLS-23XiT-20	-30°C ... +150°C	-30°C ... +150°C	-20°C ... +75°C	3 MPa	2,5 MPa	2 MPa	1,5 MPa	1 MPa
CLS-23Xi-21	-25°C ... +105°C	-30°C ... +150°C*	-20°C ... +75°C	3 MPa	2,5 MPa	2 MPa	–	–
CLS-23XiT-21	-30°C ... +150°C	-30°C ... +150°C	-20°C ... +75°C	3 MPa	2,5 MPa	2 MPa	1,5 MPa	1 MPa
CLS-23Xi-30	-25°C ... +105°C	-30°C ... +150°C*	-20°C ... +75°C	8 MPa	6 MPa	5 MPa	–	–
CLS-23XiT-30	-30°C ... +150°C	-30°C ... +150°C	-20°C ... +75°C	8 MPa	6 MPa	5 MPa	4 MPa	3 MPa

\* Valid for top mounting (in vertical position)

## TEMPERATURE AND PRESSURE RESISTANCE – variants N, E, NT

Variant (Performance)	Temperature $t_p$	Temperature $t_m$	Temperature $t_a$	Max. operating pressure for temperature $t_p$				
				to 30°C	to 85°C	to 105°C	to 130°C	to 150°C
CLS-23N-10	-25°C ... +105°C	-25°C ... +105°C	-20°C ... +80°C	8 MPa	6 MPa	5 MPa	–	–
CLS-23E-10	-25°C ... +120°C	-25°C ... +120°C	-25°C ... +105°C	8 MPa	6 MPa	5 MPa	–	–
CLS-23NT-10	-30°C ... +150°C	-30°C ... +150°C	-20°C ... +80°C	8 MPa	6 MPa	5 MPa	4 MPa	3 MPa
CLS-23N-11	-10°C ... +105°C	-10°C ... +105°C	-10°C ... +80°C	7 MPa	5 MPa	4 MPa	–	–
CLS-23E-11	-10°C ... +105°C	-10°C ... +105°C	-10°C ... +105°C	7 MPa	5 MPa	4 MPa	–	–
CLS-23N-12	-25°C ... +105°C	-25°C ... +105°C	-20°C ... +80°C	8 MPa	6 MPa	5 MPa	–	–
CLS-23E-12	-25°C ... +120°C	-25°C ... +120°C	-25°C ... +105°C	8 MPa	6 MPa	5 MPa	–	–
CLS-23NT-12	-30°C ... +150°C	-30°C ... +150°C	-20°C ... +80°C	8 MPa	6 MPa	5 MPa	4 MPa	3 MPa
CLS-23N-20	-25°C ... +105°C	-30°C ... +150°C*	-20°C ... +80°C	3 MPa	2,5 MPa	2 MPa	–	–
CLS-23E-20	-25°C ... +120°C	-30°C ... +150°C*	-25°C ... +105°C	3 MPa	2,5 MPa	2 MPa	–	–
CLS-23NT-20	-30°C ... +150°C	-30°C ... +150°C	-20°C ... +80°C	3 MPa	2,5 MPa	2 MPa	1,5 MPa	1 MPa
CLS-23N-21	-25°C ... +105°C	-30°C ... +150°C*	-20°C ... +80°C	3 MPa	2,5 MPa	2 MPa	–	–
CLS-23E-21	-25°C ... +120°C	-30°C ... +150°C*	-25°C ... +105°C	3 MPa	2,5 MPa	2 MPa	–	–
CLS-23NT-21	-30°C ... +150°C	-30°C ... +150°C	-20°C ... +80°C	3 MPa	2,5 MPa	2 MPa	1,5 MPa	1 MPa
CLS-23N-30	-25°C ... +105°C	-30°C ... +150°C*	-20°C ... +80°C	8 MPa	6 MPa	5 MPa	–	–
CLS-23E-30	-25°C ... +120°C	-30°C ... +150°C*	-25°C ... +105°C	8 MPa	6 MPa	5 MPa	–	–
CLS-23NT-30	-30°C ... +150°C	-30°C ... +150°C	-20°C ... +80°C	8 MPa	6 MPa	5 MPa	4 MPa	3 MPa

\* Valid for top mounting (in vertical position)

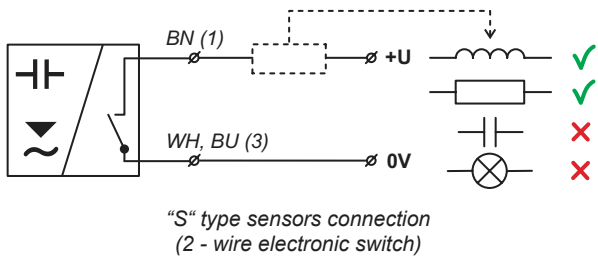


# ELECTRICAL CONNECTION

For "A" variant with the fixed cable, the individual color cores of the connecting cable are connected to the respective terminals of the related equipment (supply unit).

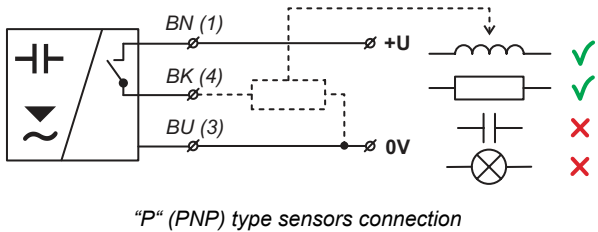
For "C" variant with the connector, the cable can be supplied with the sensor (length 2 or 5 m), fitted with the pressed connector socket or dismantlable connector socket without the cable (see accessories), the connector is not part of the sensor. In this case the cable is connected to the inside pins of the socket according to Fig.

The sensor with related equipment is interconnected by a suitable three-core (P variation) or two-core (S and R variations) cable. The length of the cable for the Xi and XiT variations must be selected with respect to the maximum permitted parameters (usually inductance and capacity) of the outside intrinsically safe circuit of supply units (NSSU, NDSU, NLCU). If using a dismantlable connector socket, the outside diameter of the cable is a maximum of 6 mm



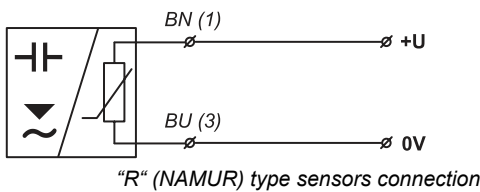
Type **CLS-23-\_-\_-S-**

The positive power terminal +U is connected via a load (e.g. a relay) to the brown wire, or connector pin no.1, the negative terminal to the white wire (configuration "N" and "NT") or to the blue wire (configuration "E") or to connector pin No.3.



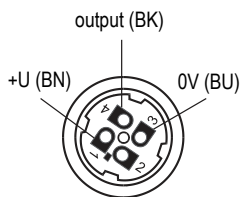
Type **CLS-23-\_-\_-P-**

Positive pole (+ U) of power supply is connected to brown wire or pin connector No. 1, negative pole is connected to blue wire or pin connector No. 3. Load (relay) is connected to black wire or pin connector No. 4.



Type **CLS-23-\_-\_-R-**

Brown wire or pin connector No. 1 is connected to positive pole (+U) of Intrinsically safe supply unit. Blue wire or pin. connector No. 3 is connected to negative pole of Intrinsically safe supply unit.



Inside of the connector socket

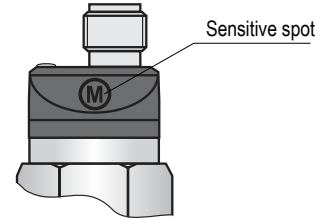
### Legend:

(1..4) – terminals number for variants with connector

- BN – brown
- WH – white
- BK – black
- BU – blue

# SETTINGS

The settings are done by touching a magnetic pen MP – 8 on the sensitive spot (M) located on the front-side of the sensor. By touching with the magnetic pen for a short time (max. 2 sec) on the sensitive spot (M), the sensor will open, holding down the magnetic pen for longer (min. 4 sec) the sensor will close. In this way, the sensitivity to the measured medium and the switching modes (O, C) are set.



**mode O** (switches when submerged) On an empty or partially filled tank (level below the bottom edge of the sensor), touch the sensitive area (M) for 1 sec with the magnetic pen (the sensor will open). When the tank fills up above the top edge of the sensor, touch the sensitive area (M) for 5 sec. with the magnetic pen (the sensor will close).

**mode C** (unswitches when submerged) On an empty or partially filled tank (level below the bottom edge of the sensor), touch the sensitive area (M) for 5 sec with the magnetic pen (the sensor will close). When the tank fills up above the top edge of the sensor, touch the sensitive area (M) for 1 sec. with the magnetic pen (the sensor will open).

On installations from above, it is necessary during detection of **non-conductive** liquids using sensors **CLS-23\_-20; -30** and during detection of **conductive** and **non-conductive** liquids using sensor **CLS-23\_-21** to set the limits for closing and opening with the electrode submerged in the medium.

The closing and opening limits are shifted closer to the state with a submerged electrode.

The CLS-23E range of sensors is made without a signal LED indicator. To check the correctness of settings, it is necessary to connect a connected device or a load and to use it to receive information about the opened / closed status of the sensor.

## FACTORY DEFAULT SETTINGS:

Sensors **CLS-23\_-10; -20; -30** have factory default settings for detecting mineral oils, **CLS - 23\_- 11; -12; -21** for detecting drinking water. Switching is set to mode "O" (the sensor will close when submerged).

## FUNCTION AND STATUS INDICATION (ONLY WITH LED STATE INDICATOR VARIANT)

In the following table are the types of inputs and the respective statuses (ON/ OFF) in the case of a maximum and minimum level sensing. The signalling of the status of the sensor is indicated by the orange LED located on the upper area of the sensor beside the connector (cable).

Indicator	Function
<b>Orange LED</b>	<p><b>Continuous light</b> – Sensor is closed (switched ON)</p> <p><b>Dark</b> – Sensor is open (switched OFF)</p> <p><b>Rapid flashing (period 0.2 s)</b> – error setting *</p> <p><b>Slow flashing (period 0.8 s)</b> – short circuit at sensor output</p>

\* Limit setting for closing (opening) on the same level or impossibility of differentiate between closing level and opening level (low permittivity of the medium).

Level state	Mode	Type of sensor	Output state	LED indicator *
Minimum level sensing	O	CLS-23_-_-_-P_-	CLOSED	(Shine)
		CLS-23_-_-_-S_-	HIGHER CURRENT	
	O	CLS-23Xi_-_-_-R_-	LOWER CURRENT	(Dark)
		CLS-23XiT_-_-_-R_-	HIGHER CURRENT	
Maximum level sensing	C	CLS-23_-_-_-P_-	CLOSED	(Shine)
		CLS-23_-_-_-S_-	HIGHER CURRENT	
	C	CLS-23Xi_-_-_-R_-	LOWER CURRENT	(Dark)
		CLS-23XiT_-_-_-R_-	HIGHER CURRENT	

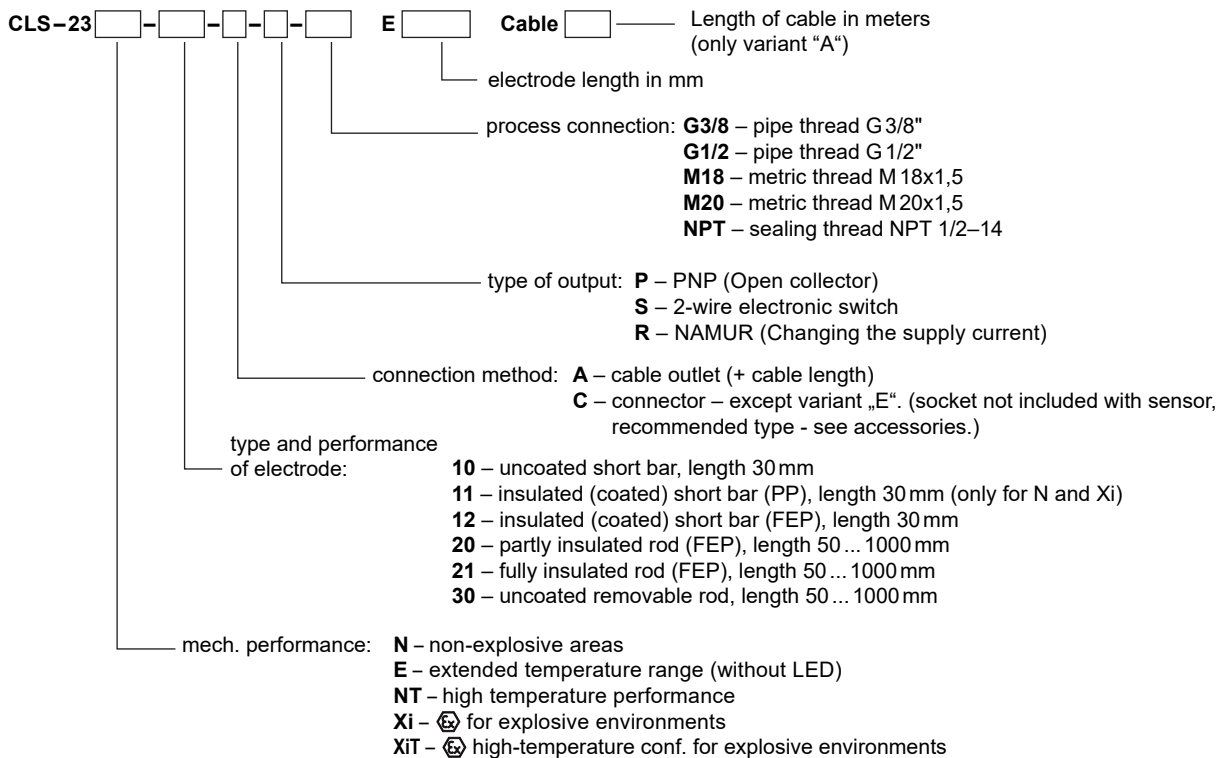
Sensor with type output „S“ and „R“ for each flash of the LED switches its output on for approx. 3 ms. This period is sufficiently short to avoid unwanted switching of relay contacts. For binary inputs, we recommend to set the filter so as not to respond to pulses shorter than 3 ms.

Units Dinel NSSU, NDSU a NLCU with transistor switch („T“) detects and transmits these pulses to the output.

For security reasons, we recommend to set the mode O (normally open, sensor closes when immersed) for minimum level detection. Any failure of the sensor or wiring is equally apparent as the emergency level state. Analogously – for the maximum level detection is recommended to set the mode C (normally closed, sensor opens when immersed).

\* Variant „E“ without LED state indicator

## ORDER CODE



## CORRECT SPECIFICATION EXAMPLES

CL5-23N-10-A-S-G3/8 cable 5 m

(N) performance for non-explosive areas; (10) uncoated short bar electrode 30 mm; (A) cable outlet with 5 m fixed cable; (S) 2-wire electronic switch; (G3/8) process connection with pipe thread G3/8".

CL5-23E-30-A-S-G1/2 E450 cable 10 m

(E) performance for extended temperature range performance for non-explosive areas; (30) uncoated removable rod electrode; (A) cable outlet with 10 m fixed cable; (S) 2-wire electronic switch; (G1/2) process connection with pipe thread G1/2"; (E450) electrode length 450 mm.

CL5-23NT-20-C-S-M18 E320

(NT) performance for high temperature performance; (20) partly insulated rod electrode (FEP); (C) electrically connection with connector; (S) 2-wire electronic switch; (M18) process connection with metric thread M18x1.5; (E320) electrode length 320 mm.

CL5-23Xi-11-C-R-NPT

(N) performance for non-explosive areas; (11) insulated (coated) short bar (PP) electrode 30 mm; (C) electrically connection with connector; (R) NAMUR output type; (NPT) process connection with sealing thread 1/2 – 14 NPT.

## ACCESSORIES

**standard** - included in the level sensor price

- 1 pcs. magnetic pen MP-8
- 1 pcs. seal (asbestos free) (Klingerit) \*

**optional – for a surcharge** - (see catalogue sheet of accessories)

- cable (over the standard length 2m)
- non-detachable connector M12 (variants N, NT) with cable length 2 or 5 m.
- detachable connector M12 with outlet PG7 (variants N, NT)
- normal steel (ON) or stainless steel (NN) welding flange
- stainless steel fixing nut UM-18x1,5
- various types of seals (PTFE, Al, etc.)

\* Pressure resistance - see the table in the accessories datasheet in the "seals and gaskets".

## SAFETY, PROTECTION, COMPATIBILITY AND EXPLOSION PROOF

---

The level sensor is equipped with protection against electric shock on the electrode, reverse polarity, output current overload, short circuit and against current overload on output.

Protection against dangerous contact is provided by low safety voltage according to 33 2000-4-41. Electromagnetic compatibility is provided by conformity with standards EN 55011 / B, EN 61326-1, EN 61000-4-2 (8 kV), -4-3 (10 V/m), -4-4 (2 kV), -4-5 (1 kV) and -4-6 (10 V).

Explosion proof CLS-23Xi and XiT is provided by conformity with standards EN 60079- 0:2013+A11:2014, EN 60079-0:2012.

Explosion proof CLS-23Xi and XiT is verified FTZÚ – AO 210 Ostrava – Radvanice: FTZÚ 12 ATEX 0106X.

A declaration of conformity was issued for this device in the wording of Act No. 90/2016 Coll., as amended. Supplied electrical equipment matches the requirements of valid European directives for safety and electromagnetic compatibility.

Special conditions for safe use of variant CLS-23Xi (XiT)

If the apparatus is used as device of Group II and with using of an approved power supply device, which output parameters comply with required input parameters, it is necessary to have an galvanic separation or in case of apparatus without galvanic separation (Zener barriers) it is necessary to provide equipotential equalizing between sensor and barrier earthing point.

Design CLS-23Xi-11 (12, 20, 21) can be used in zone 0. Other design DLS-23Xi can be used in zone 0 only electrode part and head with electronics can be used only in zone 1.

Ambient temperature:  $T_{amb} = - 20^{\circ}\text{C} \dots +75^{\circ}\text{C}$

Temperature of measured medium according to design variant:

Xi type 10, 12: (- 25°C to + 105°C)

Xi type 11: (- 10°C to + 105°C)

Xi type 20, 21, 30, XiT: (- 30°C to + 150°C)

Maximum temperature of electrodes is equal to temperature of measured medium.

Version: 11/2018



QMS  
ISO 9001

**Dinel, s.r.o.**  
U Tescomy 249  
760 01 Zlín, Czech Republic

Phone: +420 577 002 003  
Fax: +420 577 002 007

CLS-23-dat-8.9

sale@dinel.cz  
www.dinel.cz