

Type XLT True Union Ball Valves



PVC

SERIES: Type XLT

SIZES: 1/2" to 4"

ENDS: Socket, Threaded or Flanged

SEATS: PTFE

SEALS: EPDM or FKM (Viton®)



Chemline Type XLT PVC True Union Ball valve is a general purpose manual valve for water and light duty chemical services. It has all the features you are looking for. The True Union body makes installation fast and maintenance convenient. XLT offers high quality at value pricing. For electric or pneumatic actuation refer to Type 24 ball valves.

Features

230 psi Working Pressure

- 230 psi for 1/2" to 2" valves
- 150 psi for 2-1/2" to 4" valves

True Union Design

- Installation and maintenance is fast and inexpensive
- Valves may be rotated 360° to position handle

Fully Blocking

- Downstream union nut may be safely disassembled for piping maintenance while valve is closed off under full system pressure

Double Stem O-Rings

- Reduces the possibility of stem leakage

Full Port

- Low pressure losses

NSF

- Valves are certified to NSF/ANSI Standard 61 for contact with drinking water

Built-in Spanner Wrench

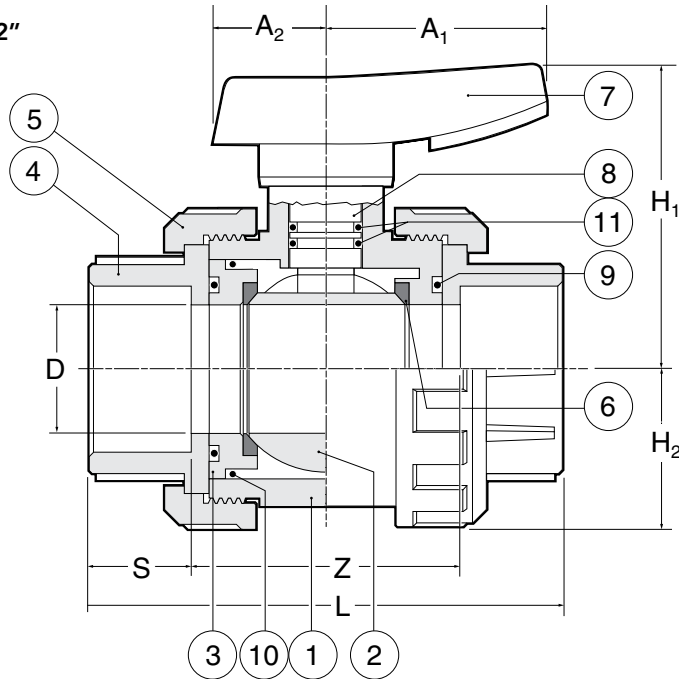
- For removing or tightening the seat carrier



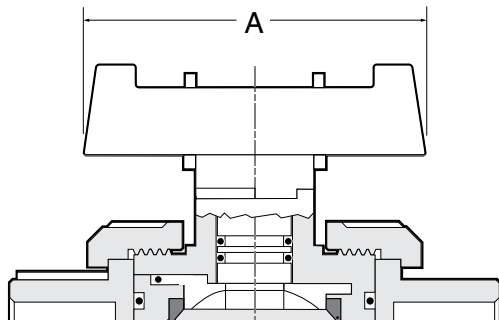
Type XLT True Union Ball Valves



1/2" to 2"



2-1/2" to 4"



PARTS

▲ Recommended Spare Parts

No.	Part	Pcs.	Materials
1	Body	1	PVC
2	Ball	1	PVC
3	Seat Carrier	1	PVC
4	End Connector	2	PVC
5	Union Nut	2	PVC
6▲	Ball Seat	2	PTFE
7	Handle	1	ABS
8	Stem	1	PVC
9▲	Face O-Ring	2	EPDM, FKM (Viton®)
10▲	Carrier O-Ring	2	EPDM, FKM (Viton®)
11▲	Stem O-Ring	2	EPDM, FKM (Viton®)

NET WEIGHTS LB.

Cv VALUES

Size	Socket Valves	USGPM@1 psi Pressure Drop
1/2"	0.31	13
3/4"	0.44	26
1"	0.66	49
1-1/4"	0.99	69
1-1/2"	1.52	118
2"	2.53	222
2-1/2"	6.71	347
3"	7.04	486
4"	11.88	694

DIMENSIONS INCHES

WORKING PRESSURES PSI

Size	A ₁	A ₂	A	D	H ₁	H ₂	L _S Socket	L _T Thd	L _F Flanged	S Socket	Laying Length Z	0-25°C	40°C	60°C
												32-77°F	104°F	140°F
1/2"	1.75	0.76	-	0.57	1.95	0.97	3.61	3.08	5.78	0.87	1.81	230	150	45
3/4"	1.93	0.88	-	0.78	2.30	1.18	4.13	3.58	6.72	1.00	2.05	230	150	45
1"	1.78	1.19	-	0.98	2.28	1.34	4.79	4.17	7.31	1.12	2.36	230	150	45
1-1/4"	2.77	1.20	-	1.25	3.00	1.58	5.21	4.76	8.12	1.25	2.68	230	150	45
1-1/2"	2.91	1.54	-	1.57	3.70	1.85	5.97	5.63	9.30	1.37	3.07	230	150	45
2"	3.36	1.53	-	1.97	4.53	2.27	6.69	6.65	10.44	1.50	3.66	230	150	45
2-1/2"	-	-	6.64	2.56	5.70	3.30	9.00	8.96	12.32	1.75	5.47	150	100	45
3"	-	-	6.64	2.82	5.70	3.30	9.23	9.49	13.65	1.87	5.47	150	100	45
4"	-	-	8.03	3.76	6.67	4.12	11.11	10.86	16.37	2.25	6.30	150	100	45

Maximum Temp. 60°C (140°F)

ORDERING EXAMPLE

Chemline Type XLT PVC True Union Ball Valve		XLT	020	E	S
Size	005 - 1/2" 007 - 3/4" 010 - 1" 012 - 1-1/4"				
	015 - 1-1/2" 020 - 2" 025 - 2-1/2" 030 - 3" 040 - 4"				
Seals	E - EPDM V - FKM (Viton®)				
Ends	S - Socket T - Threaded F - Flanged				

Example: Chemline Type XLT PVC True Union Ball Valve, 2", with EPDM O-rings, socket ends

Type XLT.DS.09.15.22